

20,000 lb
Rated Line Pull



Features and Benefits

- Wire rope approved and synthetic rope approved only for selected models
 - 12 strand (HMPE), commonly known as Dyneema
 - Maximum rope capacity is 260 ft.
- Compact Design
- Foot Mount or Mid Mount
- High Efficiency Planetary Gear Set
- Reliable Negative Draft Clutch
 - Manual or Air
- Spring Applied, Hydraulic Released Disc Brake
- Integrated Roller Tensioner
- Over or Under Wound Cable Availability
- Optional: Cable and Hook Installed
- Meets SAE J706
- Made in the USA

Helios 20000 Specifications

Rated Line Pull	20,000 lbs (9,072 kg)
Weight (without Cable)	320 lbs (145 kg)
Gear Reduction	25.53:1

LAYER OF CABLE		1	2	3	4	5
Rated Line Pull/Layer*	Lbs.	20,000	16,971	14,732	13,015	11,656
	Kgs.	9,072	7,698	6,682	5,903	5,287
Cable Capacity* Standard Drum	Ft.	35	80	135	195	260
	M.	10.7	24.4	41.1	59.4	79.2
Line Speed at 15 GPM (57 LPM)	FPM	21.8	25.7	29.6	33.5	37.5
	MPM	6.6	7.8	9.0	10.2	11.4

* Specifications are based on recommended wire rope of 9/16" (14.3mm) EIPS cable and a 12.2 cu in. (200 cc)/rev. motor.

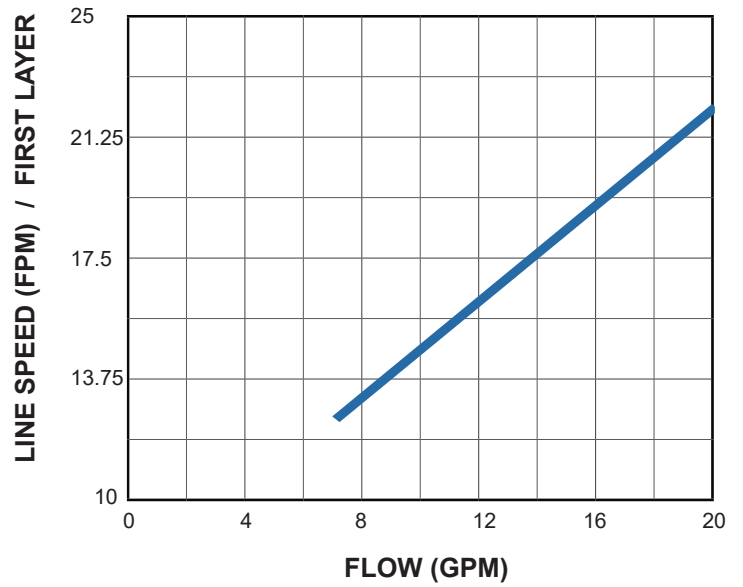
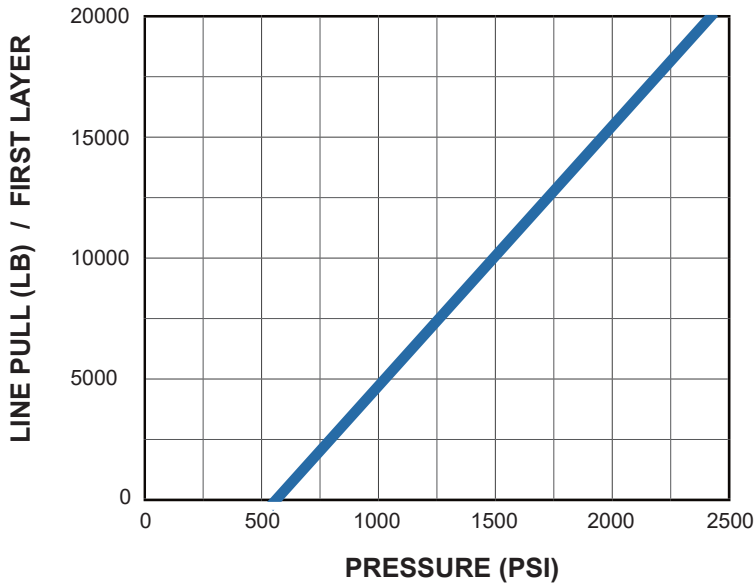
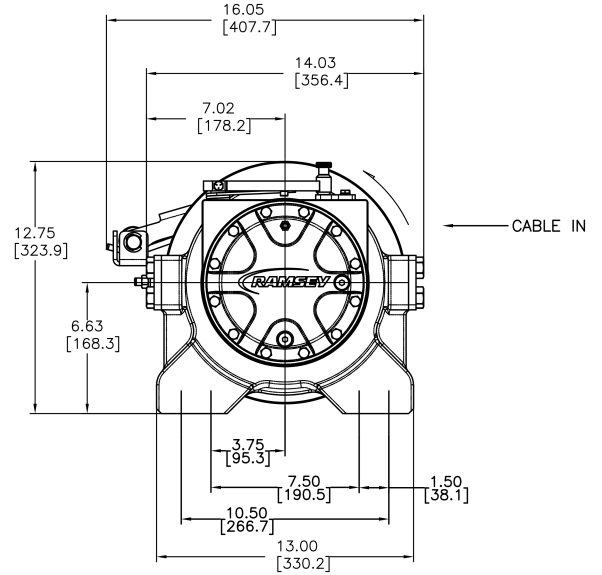
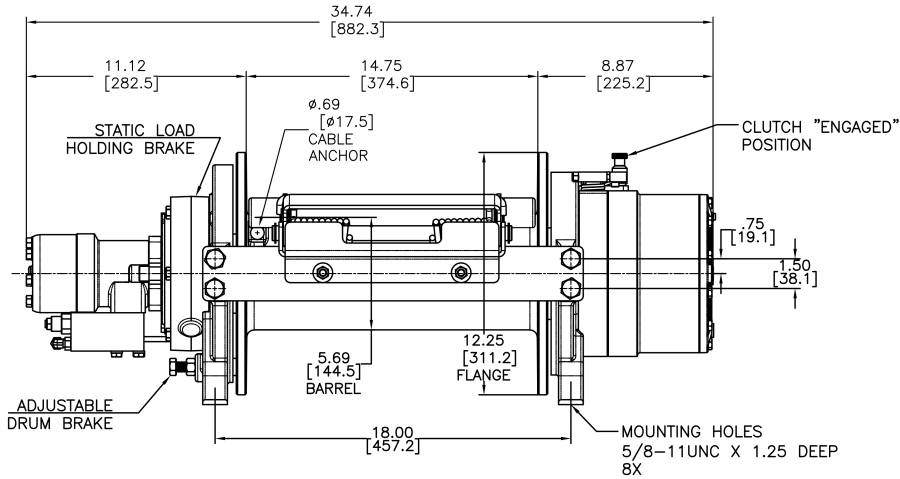
* 2,400 psi (165 bar) working pressure

- Directional control valve: 3 position, 4-way motor spool.

- Winch meets SAE J706.

HELIOS 20000 Heavy Duty Planetary

Rated Line Pull **20,000 lb**



Ramsey Winch® is a brand of Ramsey Industries, Inc. Engineered to be the best, Ramsey Winch is committed to the ongoing improvement of its products. Ramsey Winch reserves the right to make changes to our products without notice.

ramseywinch.com | Phone: 1-800-777-2760

© 2021. All rights reserved.
HELIOS 20000_RWM0121_02-2021_Original / Page 2 of 2

