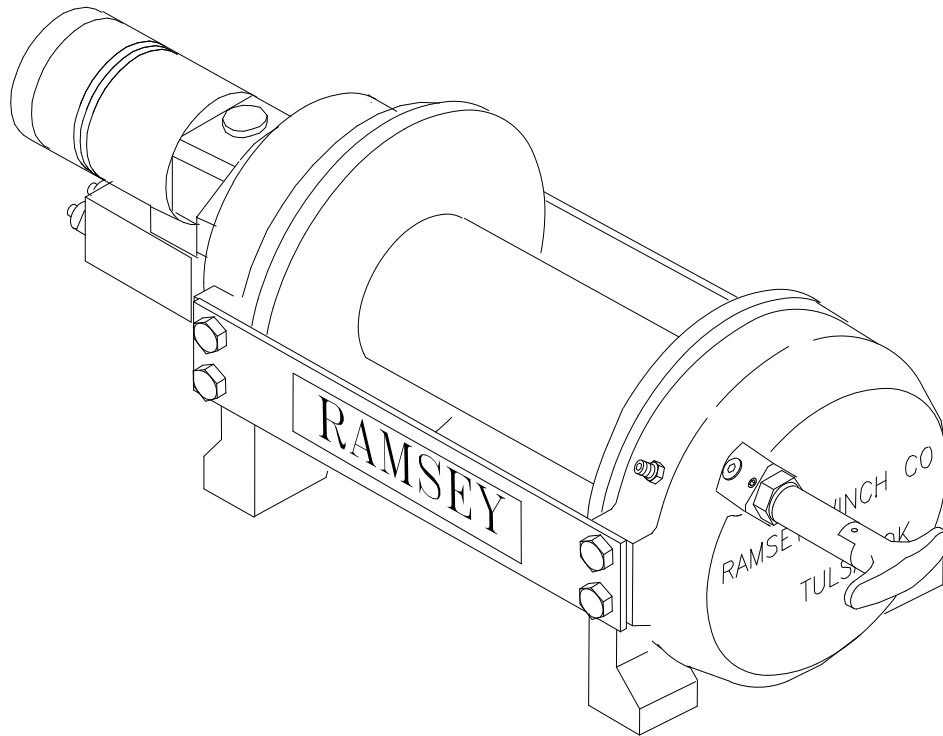




OPERATING, SERVICE AND MAINTENANCE MANUAL



MODEL RPH 15,000 PLANETARY WINCH

Intended Purpose: Vehicle recovery and pulling of loads



CAUTION: READ AND UNDERSTAND THIS MANUAL BEFORE INSTALLATION AND OPERATION OF WINCH. SEE SAFEGUARDS AND WARNINGS!

TABLE OF CONTENTS

DECLARATION OF CONFORMITY	3
INTRODUCTION	4
WARRANTY INFORMATION.....	4
SPECIFICATIONS	3
WARNINGS.....	3
WINCH MOUNTING	4
CABLE INSTALLATION	5
HYDRAULIC SYSTEM REQUIREMENTS	6
PERFORMANCE CHARTS.....	6
OPERATION	7
MANUAL CLUTCH SHIFTER	7
AIR CYLINDER CLUTCH SHIFTER	7
MAINTENANCE	7
TROUBLESHOOTING GUIDE.....	8
INSTRUCTIONS FOR OVERHAUL.....	9-13
DIMENSIONAL DRAWINGS	14-15
PARTS LIST AND PARTS DRAWINGS	16-20
LIMITED WARRANTY	BACK COVER

RAMSEY HYDRAULIC PLANETARY WINCH MODEL RPH 15,000

PLEASE READ THIS MANUAL CAREFULLY

This manual contains useful ideas for obtaining the most efficient operation from your Ramsey Winch, and safety procedures one needs to know before operating a Ramsey Winch. Do not operate this winch until you have carefully read and understand the "WARNING" and "OPERATION" sections of this manual.

WARRANTY INFORMATION

Ramsey Winches are designed and built to exacting specifications. Great care and skill go into every winch we make. If the need should arise, warranty procedure is outlined on the back of your self-addressed postage paid warranty card. Please read and fill out the enclosed warranty card and send it to Ramsey Winch Company. If you have any problems with your winch, please follow instructions for prompt service on all warranty claims. Refer to back page for limited warranty.

SPECIFICATIONS*

Rated Line Pull (lbs.).....		15,000					
(kgs.).....		6,800					
Gear Reduction.....		7.7:1					
Weight (without cable).....		300 lbs. (136 kgs.)					
LAYER OF CABLE		1	2	3	4	5	6**
*Rated line pull per layer	Lbs. Kg.	15,000 6,800	12,600 5,710	10,800 4,890	9,500 4,300	8,500 3,850	7,600 3,440
Cable capacity	Ft. M.	35 10	75 22	125 38	180 54	240 73	310 94
Line speed (at 15 GPM)	FPM MPM	25 7,6	29 8,8	34 10,3	39 11,8	44 13,4	48 14,6
*These specifications are based on recommended 1/2" (13 mm) EIPS wire rope and a 24.0 Cu. In./Rev. motor.							
**Last layer does not comply with SAE J-706							

NOTE: The rated line pulls shown are for the winch only. Consult the wire rope manufacturer for wire rope ratings.

WARNINGS:

CLUTCH MUST BE FULLY ENGAGED BEFORE STARTING THE WINCH.

DO NOT DISENGAGE CLUTCH UNDER LOAD.

DO NOT LEAVE CLUTCH ENGAGED WHEN WINCH IS NOT IN USE.

STAY OUT FROM UNDER AND AWAY FROM RAISED LOADS.

STAND CLEAR OF CABLE WHILE PULLING. DO NOT TRY TO GUIDE CABLE.

DO NOT EXCEED MAXIMUM LINE PULL RATINGS SHOWN IN TABLE.

DO NOT USE WINCH TO LIFT, SUPPORT, OR OTHERWISE TRANSPORT PERSONNEL.

A MINIMUM OF 5 WRAPS OF CABLE AROUND THE DRUM BARREL IS NECESSARY TO HOLD THE LOAD. CABLE CLAMP (SETSCREW) IS NOT DESIGNED TO HOLD LOAD.

IN CAR CARRIER APPLICATIONS, AFTER PULLING VEHICLE ON CARRIER, BE SURE TO SECURE VEHICLE TO CARRIER BED. DO NOT MAINTAIN LOAD ON WINCH CABLE WHILE TRANSPORTING VEHICLE. DO NOT USE WINCH AS A TIE DOWN.

WHEN PULLING A HEAVY LOAD PLACE A BLANKET, JACKET, OR TARPULIN OVER THE CABLE FIVE OR SIX FEET FROM THE HOOK.

AVOID CONDITIONS WHERE LOAD SHIFTS OR JERKS OCCUR, AS THEY MAY INDICATE A DANGEROUS SITUATION.

WINCH MOUNTING

ESSENTIAL MOUNTING INSTRUCTIONS TO MAINTAIN ALIGNMENT OF PLANETARY WINCH COMPONENTS

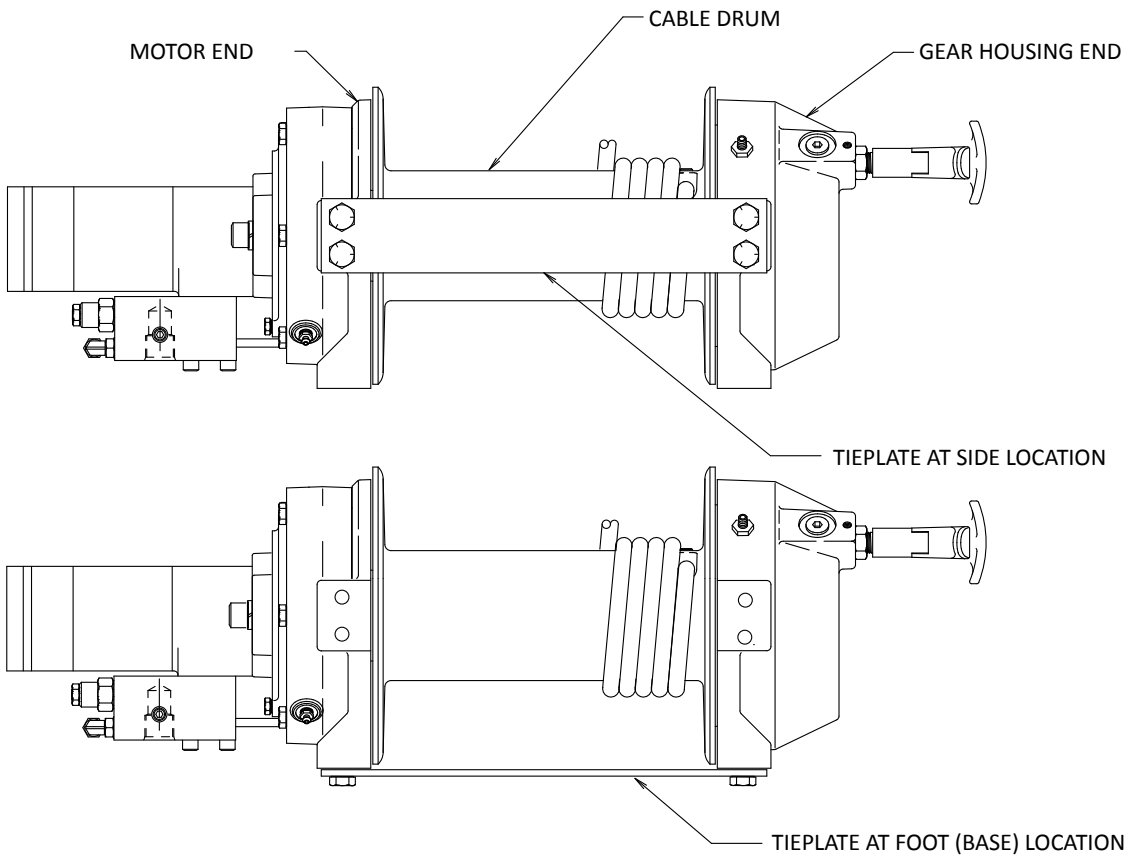
It is most important that this winch be mounted securely so that the three major sections (the motor end, the cable drum and the gear housing end) are properly aligned. Excessive bushing wear and difficulty in freespooling are usually symptoms of misalignment.

In the as-installed condition, if the winch is mid mounted at least one tie plate must be attached to the mounting feet at the bottom of the winch to maintain alignment. **NOTE:** If the winch is foot mounted at least one tie plate must remain mounted at mid point of winch to maintain alignment. It is always desirable to use both tie plates in the final installed configuration.

Angle Mounting Kit, #251173, is recommended for maximum ease in mounting the winch. The angle kit will allow the winch to be mounted in upright or midmount applications and will meet the criteria of serving as a solid and true mounting surface.

When mounting the winch with other than the recommended Ramsey Angle Kit, the mounting hole patterns described on pages 14-15 must be used. The mounting surface must be flat within .015 inch and sufficiently stiff to resist flexing. If a steel plate is used for foot mounting it should be .750 inch thick. For this mounting application eight (8) 5/8-11NC x 1-1/2 Lg. Gr. 5 capscrews with lockwashers will be needed to mount winch. Capscrews should be torqued to 173 ft. lb. (235 Nm.).

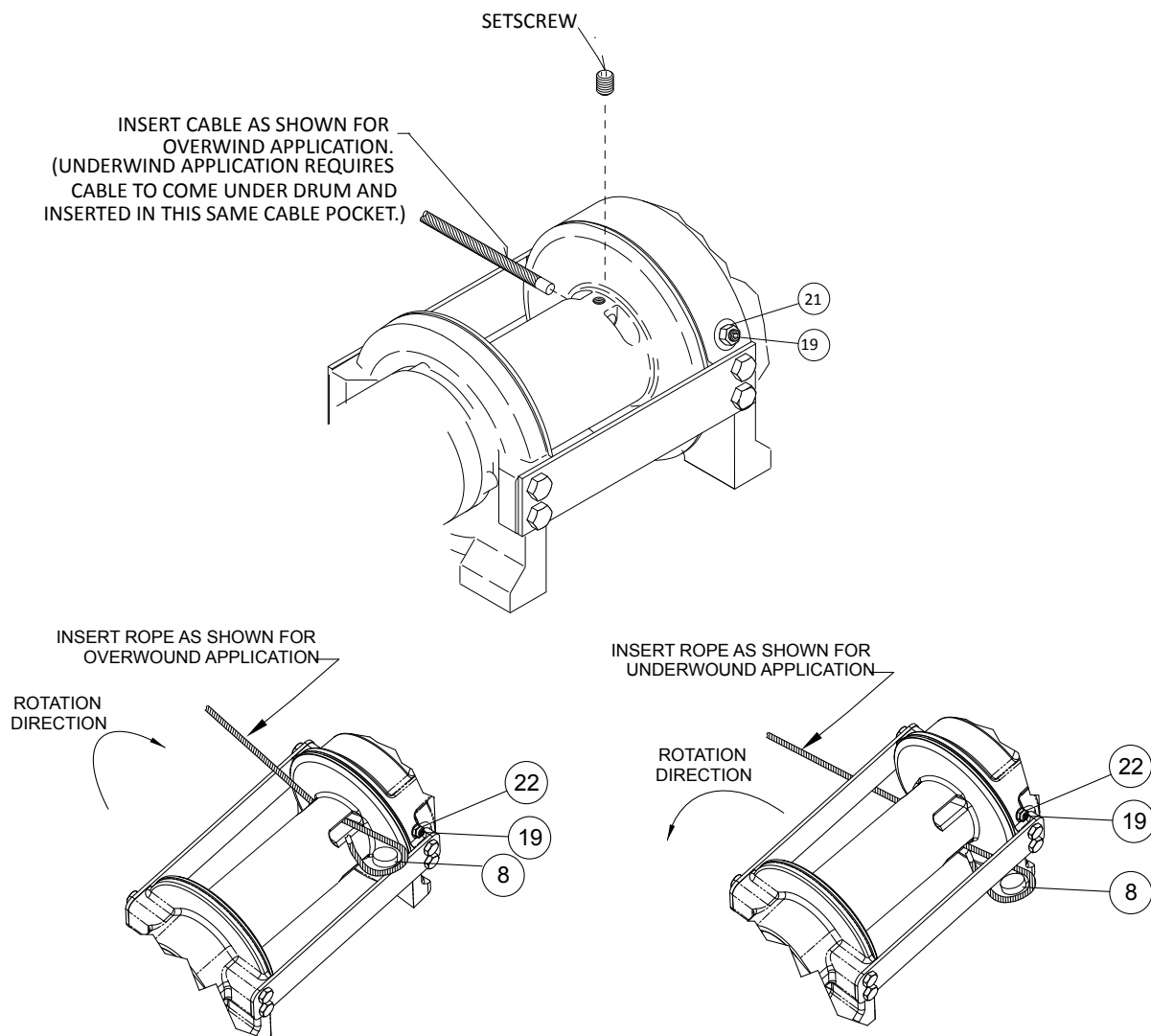
NOTE: If angles or a steel plate are used in mounting winch, tie plates provided with winch are to be attached to the remaining mounting pads, whether they be side or foot.



CABLE INSTALLATION

1. Unwind cable by rolling it out along the ground to prevent kinking. Securely wrap end of cable, opposite hook, with plastic or similar tape to prevent fraying.
2. Place taped end of cable into hole in cable drum, as shown below. Use 3/8-16NC x 1/2 lg. Hx. Soc. drive set-screw (part of 234173 drum assembly) to secure cable to drum.
3. Carefully run winch in the “reel-in” direction. Keeping tension on end of cable, spool all the cable onto the cable drum, taking care to form neatly wrapped layers.

After installing cable, check freespool operation. Disengage clutch and pull on cable at a walking speed. If cable “Birdnests”, loosen jam nut (item #22) and turn nylon screw (item #19) clockwise to increase drag on drum. If cable pull is excessive loosen nylon setscrew by turning counterclockwise. Tighten jam nut when proper setting is obtained. **CAUTION: OVER-TIGHTENING OF JAM NUT MAY STRIP NYLON SETSCREW.**



HYDRAULIC SYSTEM REQUIREMENTS

Refer to the performance charts below to properly match your hydraulic system to the winch performance. The charts consist of: (1) line pull (LB) first layer vs. working pressure (PSI); (2) line speed, first layer (FPM) vs. flow (GPM). A motor spool directional control valve is recommended.

SYSTEM REQUIREMENTS:

2500 PSI RELIEF VALVE SETTING

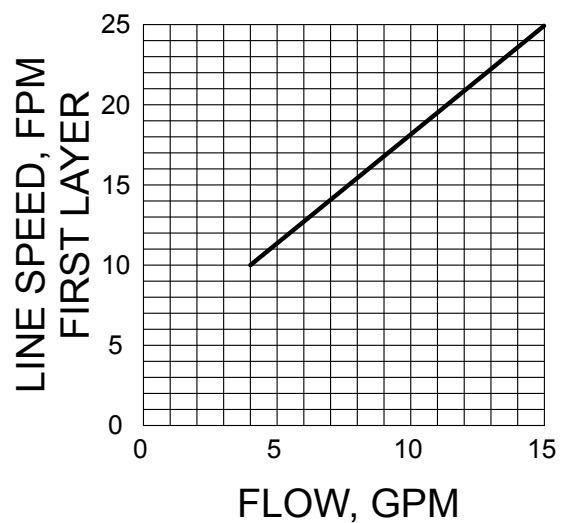
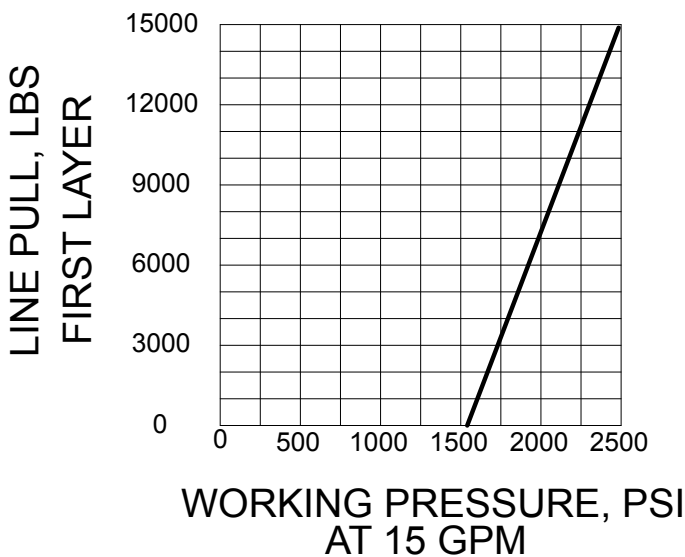
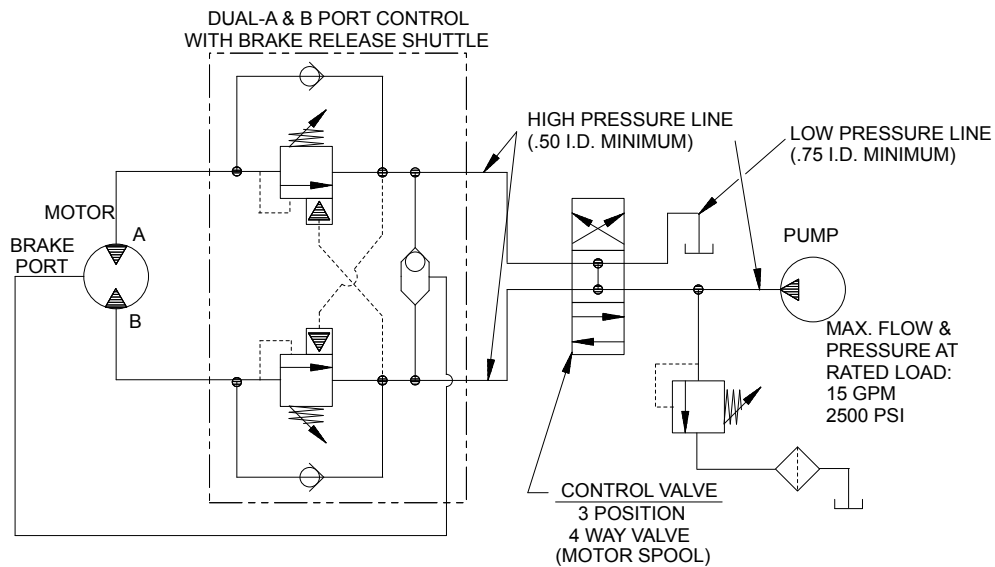
15 G.P.M. FLOW RATE *

10 MICRON NORMAL FILTRATION

* **Caution: Do not exceed 20 G.P.M. If exceeded, motor and winch may be damaged.**

PERFORMANCE CHARTS

TYPICAL LAYOUT



PERFORMANCE WITH 24.0 CU. IN. HYDRAULIC MOTOR:

OPERATION

The best way to get acquainted with how your winch operates is to make test runs before you actually use it. Plan your test in advance. Remember, you hear your winch, as well as see it operate. Get to recognize the sounds of a light steady pull, a heavy pull, and sounds caused by load jerking or shifting. Avoid conditions where load shifts or jerks occur, as they may indicate a dangerous situation.

The uneven spooling of cable, while pulling a load, is not a problem, unless there is a cable pileup on one end of drum. If this happens, reverse the winch to relieve the load and move your anchor point further to the center of the vehicle. After the job is done you can unspool and rewind for a neat lay of the cable.

When pulling a heavy load place a blanket, jacket or tarpaulin over the cable about five or six feet behind the hook. In the event of a broken cable, this will slow the snap back of the cable and could prevent serious injury.

The winch clutch allows rapid unspooling of the cable from the cable drum for hooking onto the load. The clutch is operated by the clutch shifter lever or air shifter.

WARNING: DO NOT DISENGAGE CLUTCH UNDER LOAD.

MANUAL CLUTCH SHIFTER (Refer to page 14)

TO DISENGAGE CLUTCH: Run the winch in the reverse (reel out) direction until load is off the cable. Pull handle out and rotate 90°. With handle in the "DISENGAGED" position, cable may now be free-spooled from drum.

TO ENGAGE CLUTCH: Pull handle out, rotate 90° and release handle. Run the winch in reverse until the clutch handle snaps fully into the "ENGAGED" position. **DO NOT** attempt to pull a load unless the handle is fully at the "ENGAGED" position. If manual shift indicator light is present, the green light is lit when clutch is fully "ENGAGED". **DO NOT** attempt to pull a load unless the green light is lit.

AIR CYLINDER CLUTCH SHIFTER (Refer to page 15)

TO DISENGAGE CLUTCH: Run the winch in the reverse (reel out) direction until load is off the cable. Apply air pressure to the .125-27 NPT port: 80 PSI (min.), 150 PSI (max.). **CAUTION:** Pressure must not exceed 150 PSI.

TO ENGAGE CLUTCH: Remove air pressure from the cylinder (a return spring engages the plunger). Run winch in reverse until the clutch engagement indicator light (green light) is lit. **DO NOT** attempt to pull a load unless the green light is lit. To connect light to the vehicle electrical system refer to the Electrical Schematic on page 15.

MAINTENANCE

1. Inspect the cable for damage and lubricate frequently. If the cable becomes frayed with broken strands, replace immediately.
2. Check that the clutch is fully engaging. See OPERATION instructions, above, for the appropriate clutch shifter.
FOR MANUAL CLUTCH ONLY: Monthly disengage clutch, put several drops of oil on the shaft and work clutch IN and OUT several times to lubricate inside of clutch cylinder.
3. Check to see that drum cable does not overrun (BIRDNEST) when freespooling. Refer to page 5.
4. Replace drum bushings and seals if seals begin to seep grease. Refer to OVERHAUL INSTRUCTIONS, page 9. Add additional lubricant, Mobilith SHC 007, to gears if required.

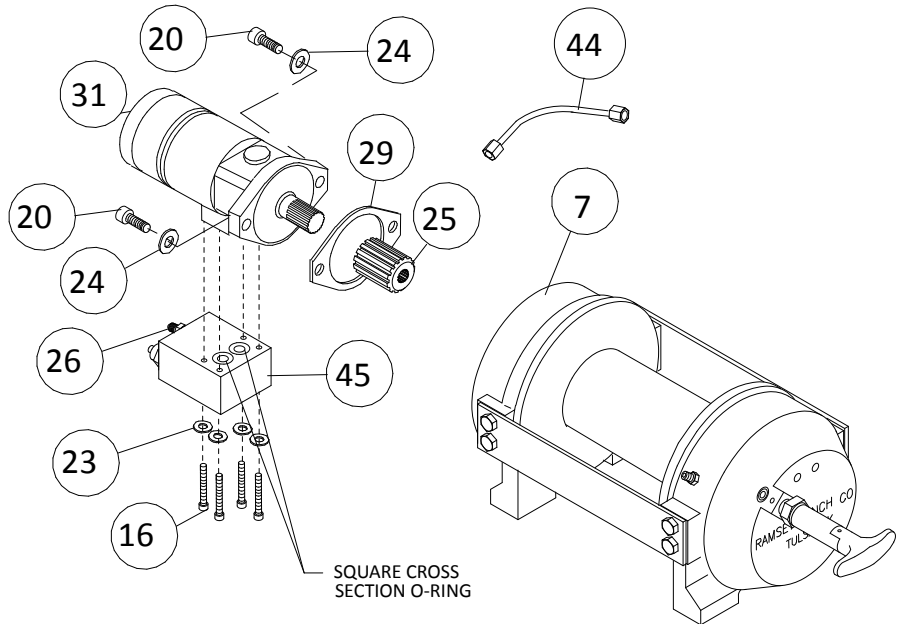
INSTRUCTIONS FOR OVERHAUL OF RAMSEY WINCH MODEL RPH 15,000

DISASSEMBLY

Take note of mounting configuration for proper mounting of parts during re-assembly. Replace all gaskets, o-rings, and seals with new ones during re-assembly.

Disconnect tube (item #44) from elbows on bottom of brake housing (item #7) and valve (item #45). Remove motor (item #31) from brake housing (item #7) by unscrewing capscrews (item #20). Tap motor lightly to disengage.

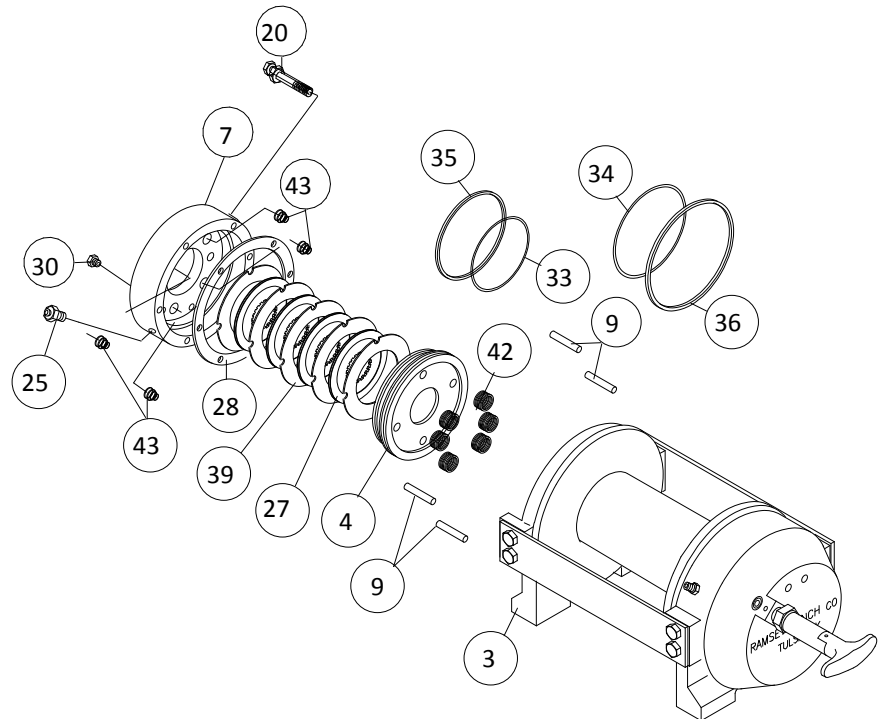
Remove coupling (item #25) from brake housing. Examine coupling for signs of wear, replace if necessary. If necessary remove valve (item #45) from motor by removing capscrews (item #16) and lock-washers (item #23). If valve is removed make sure two square cross section O-rings remain seated in their counter bores in valve.



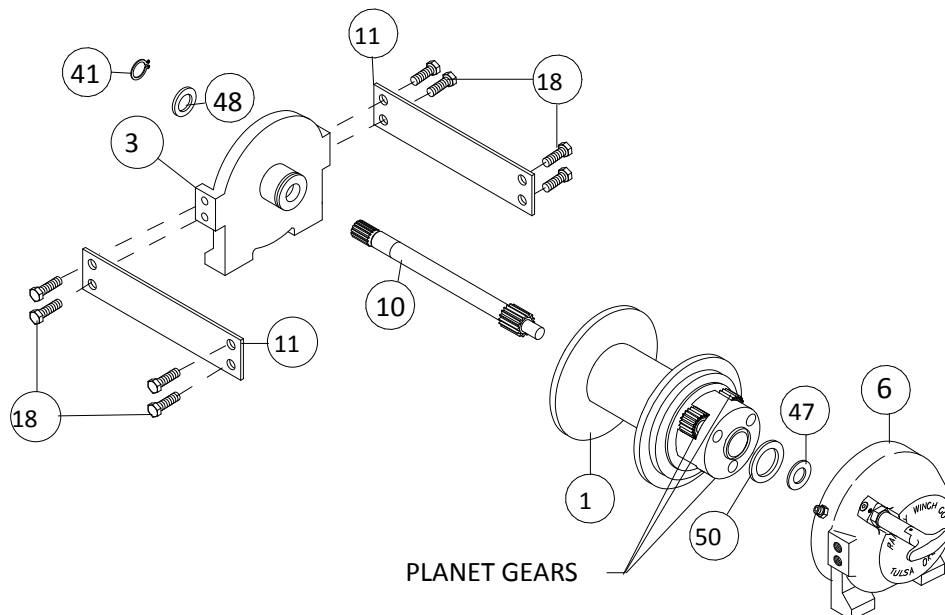
Remove brake housing (item #7) from end bearing (item #3) by unscrewing (6) capscrews (item #20) in a criss-cross pattern (2 turns each) until all capscrews are removed from brake housing. Remove brake parts from brake housing. Examine brake discs (item #27) for signs of wear and replace if necessary. Examine O-rings (items #33 and #34) and backup O-rings (items #35 and #36) for signs of wear. Remove O-rings and backup O-rings from grooves in brake piston (item #4).

Remove and examine springs (items #42 and #43) for damage, replace if necessary.

Examine fitting (item #30) to assure that fittings are in proper working condition, replace if necessary.

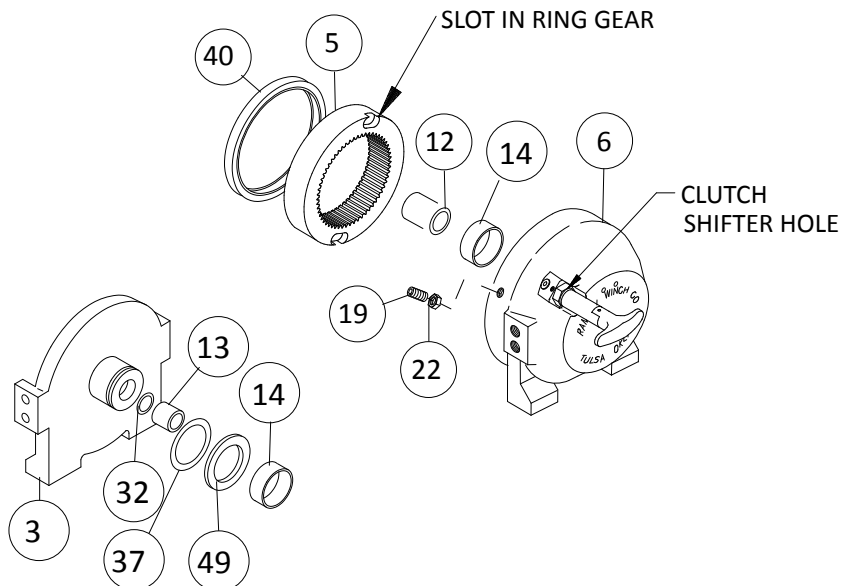


Remove tie plates (item #11) from end bearings (items #3 & #6) by unscrewing capscrews (item #18), as shown. Slide motor end bearing (item #3) from drum (item #1) and drum from gear housing end bearing (item #6). Remove input shaft (item #10) and thrust washers (items #47 & #50) from end bearings. Inspect gear teeth and splined end of shaft (item #10) for signs of wear. If necessary replace shaft.



Remove o-ring (item #37) and bushing (item #14) from outside of motor end bearing (item #3), remove o-ring (item #32) and bearing (item #13) from inside of motor end bearing. Dip new o-ring (item #32) in oil and seat into groove inside of end bearing and press new bearing (item #13) into end bearing. Press bushing (item #14) onto end bearing and dip o-ring (item #37) in oil and seat into groove of end bearing.

Remove seal (item #40) from gear housing end bearing (item #6). Loosen nut (item #22) and remove nylon set-screw (item #19) and remove ring gear (item #5) from gear housing end bearing. Remove bushing (item #14) and bearing (item #12) from gear housing end bearing (item #6). Press new bushing (item #14) and bearing (item #12) into place in end bearing. Install ring gear and nylon setscrew and nut. Ring gear must be fully seated in gear housing end bearing (item #6) and slot in ring gear must be aligned with clutch shifter hole. Dip new seal in oil and install in gear housing end bearing, with sharp edge of seal outward.



Generously apply grease (MOBILITH SHC 007) to teeth of ring gear (item #5), teeth of planet gears in drum (item #1) and to bushing in end bearing (item #6). Apply grease to teeth of gear and short end of shaft (item #8). Place gear end of shaft through backside of drum (item #1) rotate shaft to mesh shaft gear with planet gear in drum. Apply grease to end of shaft and to I.D. and O.D. of bushing protruding from drum. Set thrust washer (item #50) over bushing and against drum. Place drum assembly into end bearing meshing planet gears with output gear on shaft and with ring gear in end bearing. End of drum shaft is placed into bearing pressed in end bearing (item #6).

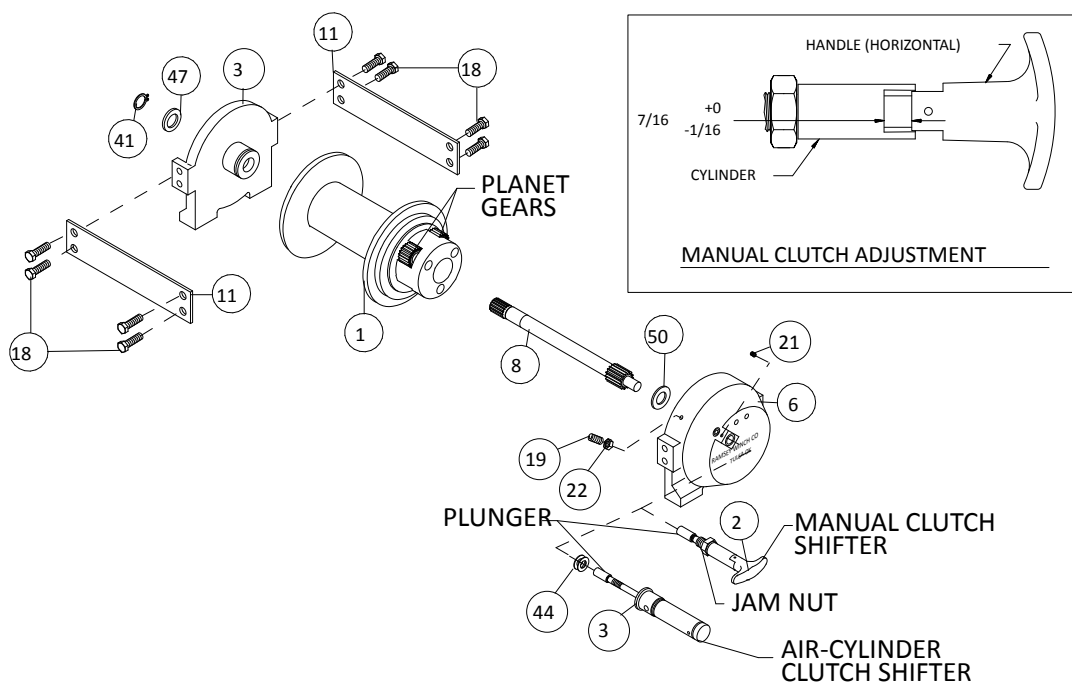
Apply grease to O.D. of bushing protruding from drum. Set thrust washer (item #47) over bushing and against drum. Assemble motor end bearing (item #3) to drum assembly and use tie plates (item #11) and capscrews (item #18) to hold both end bearings together. Tighten capscrews to 173 Ft. Lbs. (235 Nm.). If necessary, remove and replace appropriate shifter assembly (item #2 or #3), as follows:

MANUAL CLUTCH SHIFTER ASSEMBLY

Remove by loosening setscrew (item #21), jam nut and unscrewing clutch shifter. Be sure slot in ring gear is not aligned with clutch shifter hole in end bearing. Rotate drum, if necessary, to insure hole and slot are not aligned. Reinstall clutch shifter with plunger, jam nut and handle positioned in cylinder housing, as shown. Thread assembly (with handle engaged in cylinder slot) into the end bearing. Pull drum toward the gear housing end bearing to remove play. Hold drum in this position and continue threading the shifter assembly in until the gap between the end of the handle and cylinder is $7/16 +0 -1/16$ inch and handle is in the horizontal position, as shown below. **NOTE:** This gap will vary with drum endplay. With the drum pulled against the gear housing, the gap should be $3/8$ inch. Lightly tighten jam nut. Rotate drum until handle snaps fully into the engaged position. Pull handle out and rotate 90° . Verify that drum can be rotated freely (at least one full revolution) with clutch shifter at DISENGAGED position. Securely tighten jam nut while holding the handle. Tighten setscrew securely. Re-check clutch operation as described on page 7.

AIR CYLINDER SHIFTER ASSEMBLY

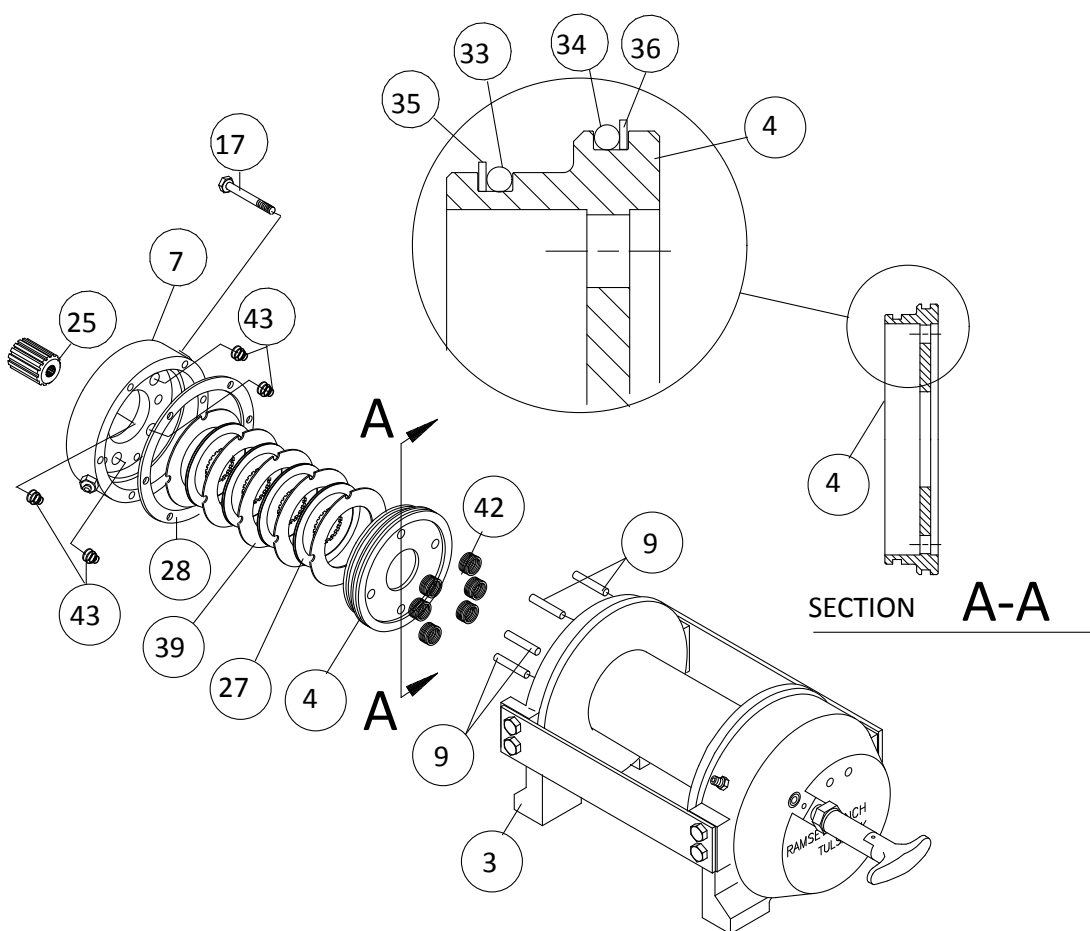
Remove by loosening setscrew (item #21), jam nut and unscrewing clutch shifter. To reinstall, thread air cylinder into housing. Install one or two shims (item #44) under cylinder head, if needed, to orient air cylinder port for pneumatic connections. Tighten setscrew. Refer to page 7 and check for proper operation of the clutch.



Set winch on gear housing end with motor end bearing up. Insert (6) springs (item #42) into pockets of motor end bearing. Install coupling (item #25) over splined end of shaft (item #8). Put (4) brake pins (item #9) into (4) holes in motor end bearing. Install well-oiled o-ring (items #33 and #34) and backup o-rings (items #35 and #36) into grooves in O.D. of piston (item #4). Place o-rings into portions of grooves nearest center of piston in both cases. See Section A-A at right.

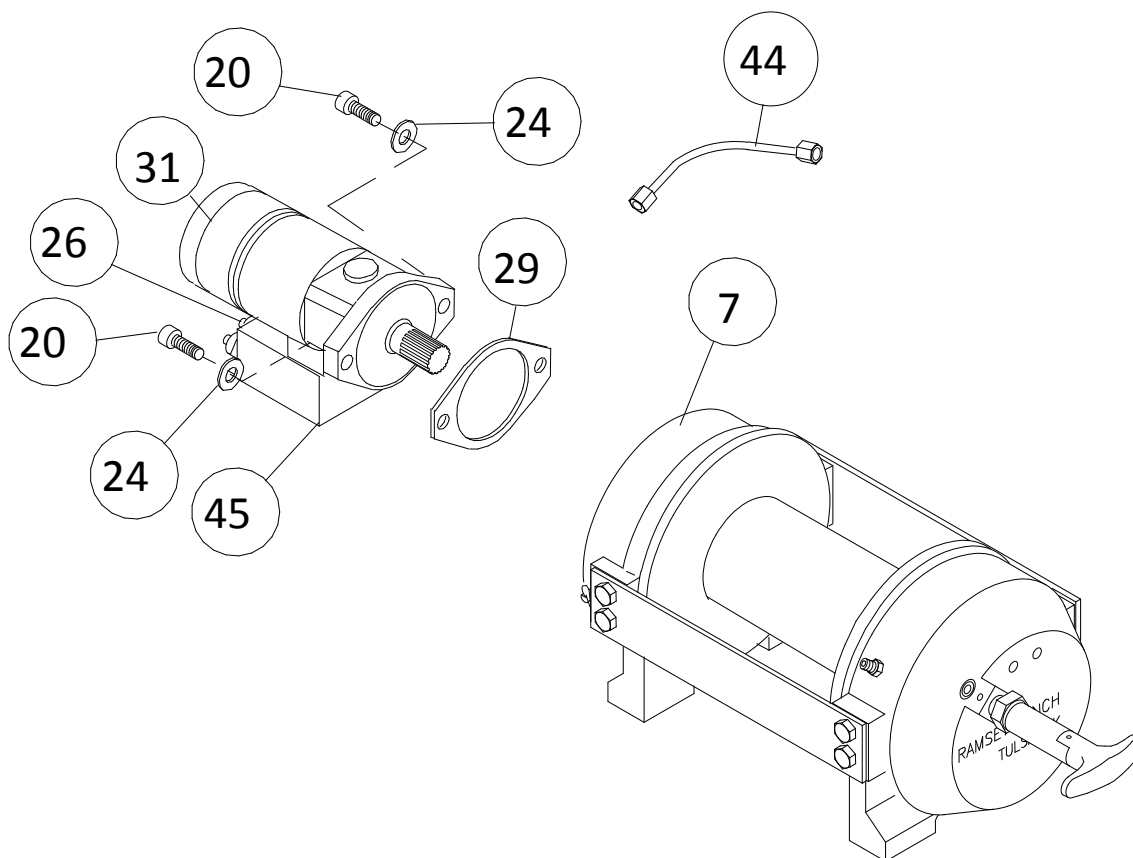
Piston (item #4), brake discs (item #27), and separator plates (item #39) must be clean and free of grease and oil.

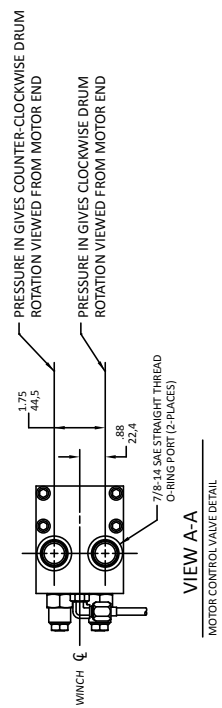
Place piston over pins (item #9) and on top of springs (item #42). Place separator plates (item #39) and brake discs (item #27) alternately on top of piston, as shown. Press larger diameter end of (4) springs (item #43) into pockets in brake housing (item #7). Place gasket (item #28) on top of end bearing (item #4). Place brake housing over brake parts with fitting ports downward toward mounting feet. Align mounting holes and force brake housing down onto end bearing (item #4). Apply 271 Loc-tite to 6 capscrews (item #17) and finger tighten until flush with surface of brake housing. Tighten capscrews (2 turns each) in a criss-cross pattern until a torque of 30 ft-lbs. for each capscrew is achieved.



Place gasket (item #29) into position on mounting surface of motor (item #31). Slide motor shaft into coupling and attach motor to brake housing (item #7). Use (2) capscrews (item #20) with lockwashers (item #24) and torque to 87 ft.-lbs. (118 Nm) each. Securely connect tube (item #44) to elbows (item #26) in valve (item #45) and in bottom of brake housing.

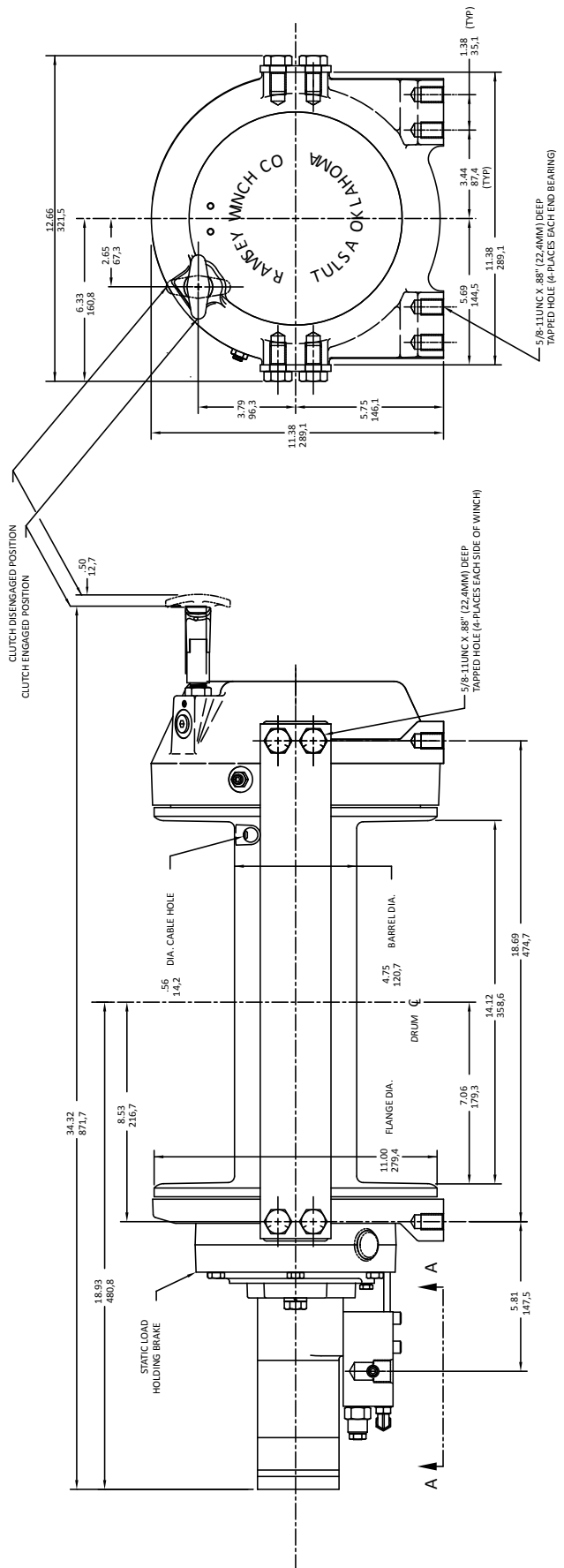
Apply at least 550 PSI hydraulic pressure to release brake and verify that brake releases by observing that the winch drum rotates.





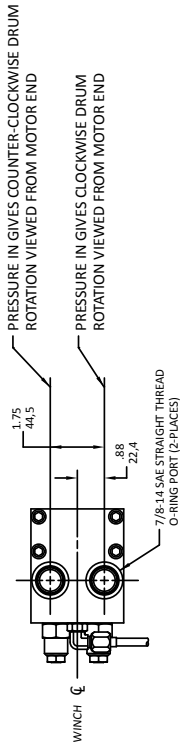
PRESSURE IN GIVES COUNTER-CLOCKWISE DRUM
ROTATION VIEWED FROM MOTOR END

PRESSURE IN GIVES CLOCKWISE DRUM
ROTATION VIEWED FROM MOTOR END



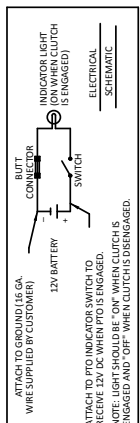
DIMENSIONS SHOWN ARE INCHES OVER MILLIMETERS

MODEL RPH-15,000 WITH MANUAL CLUTCH SHIFTER



VIEW A-A

MOTOR CONTROL VALVE DETAIL



ATTACH TO GROUND (16 GA. WIRE SUPPLIED BY CUSTOMER)

BUILT-IN COMPRESSOR

12V BATTERY

INDICATOR LIGHT (ON WHEN CLUTCH IS ENGAGED)

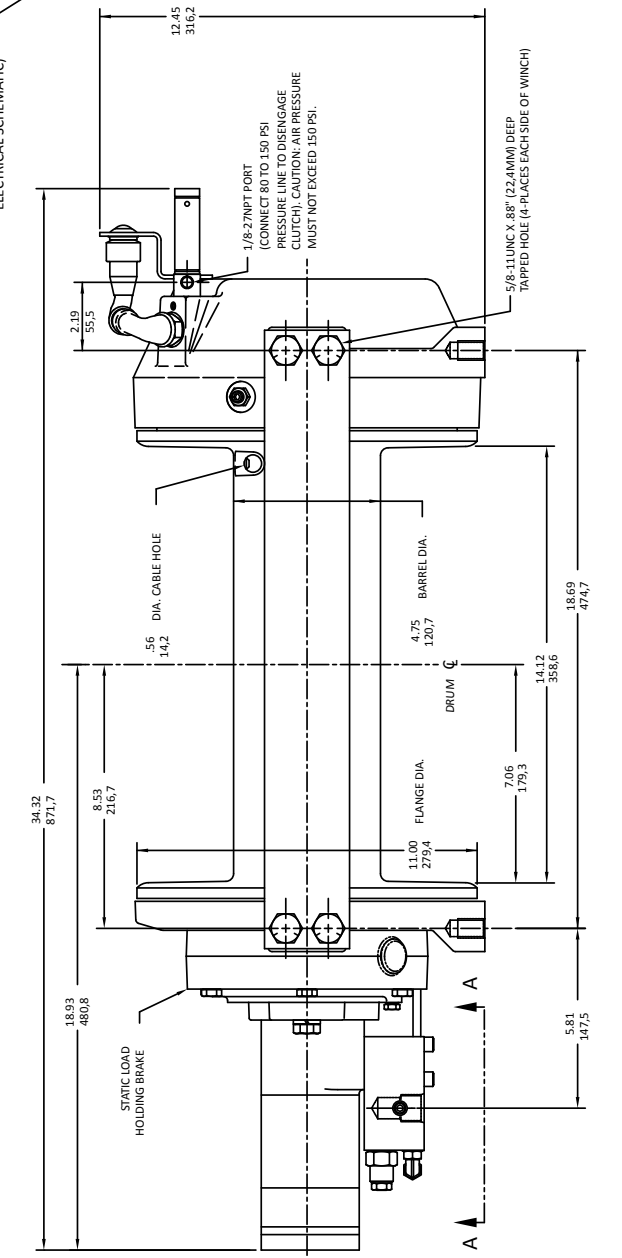
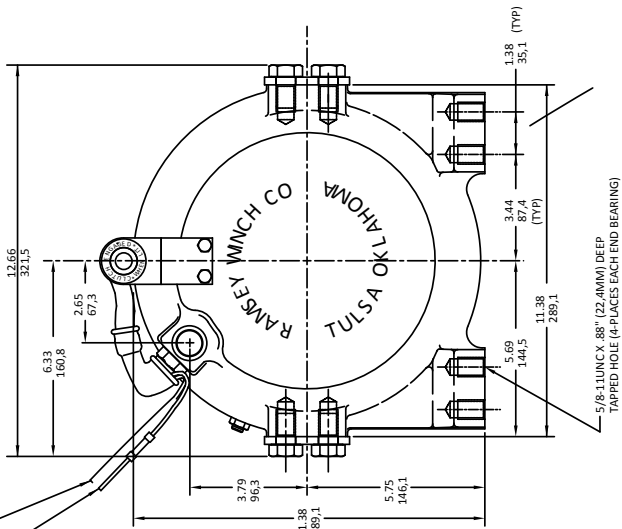
SWITCH

ELECTRICAL SCHEMATIC

ATTACH TO PTO INDICATOR SWITCH TO RECEIVE 12V DC WHEN PTO IS ENGAGED. NOTE: LIGHT SHOULD BE "ON" WHEN CLUTCH IS ENGAGED AND "OFF" WHEN CLUTCH IS DISENGAGED.

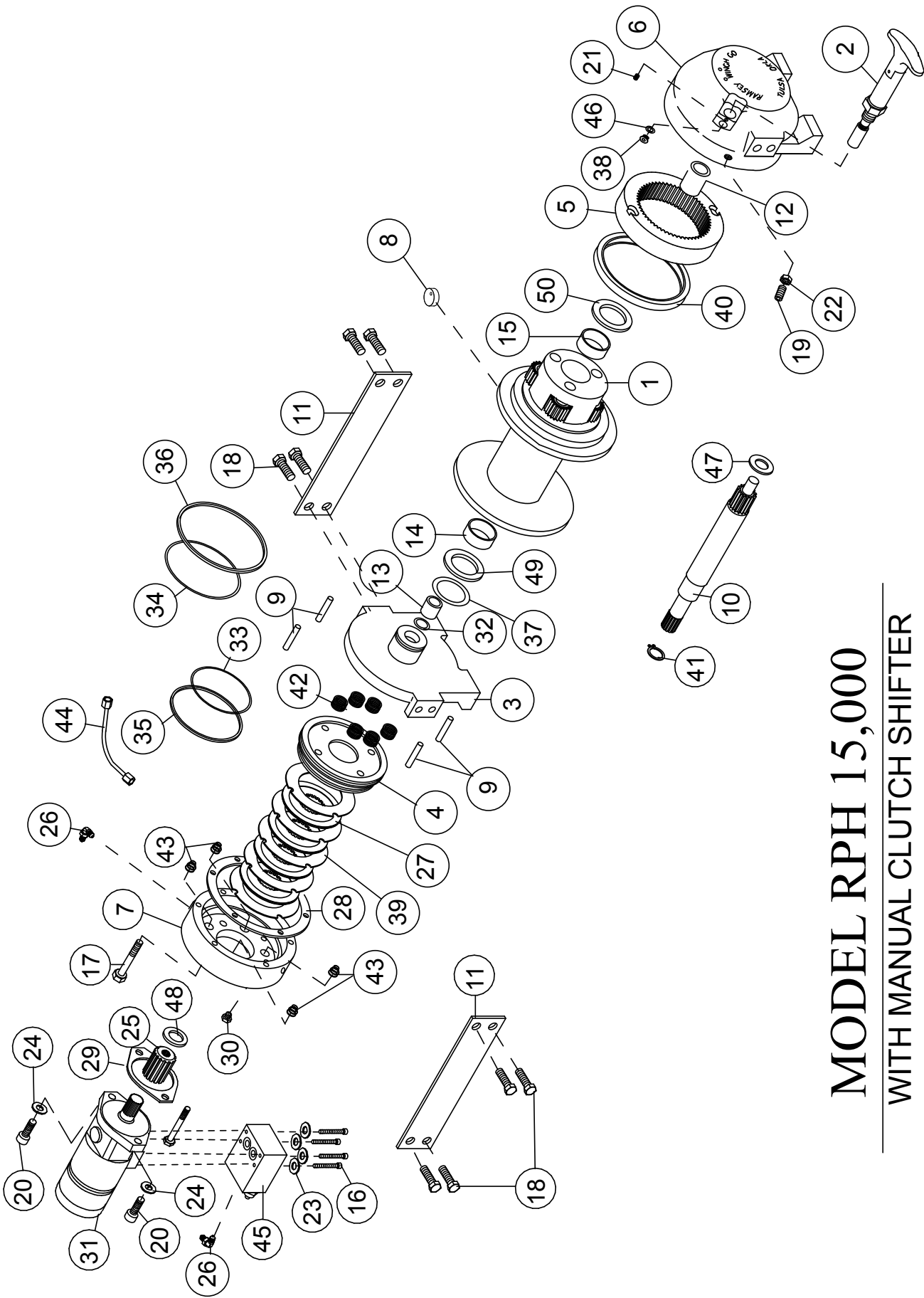
ATTACH TO 12V DC (+) (SEE ELECTRICAL SCHEMATIC)

ATTACH TO GROUND (SEE ELECTRICAL SCHEMATIC)



DIMENSIONS SHOWN ARE INCHES OVER MILLIMETERS

MODEL RPH-15,000 WITH AIR SHIFTER



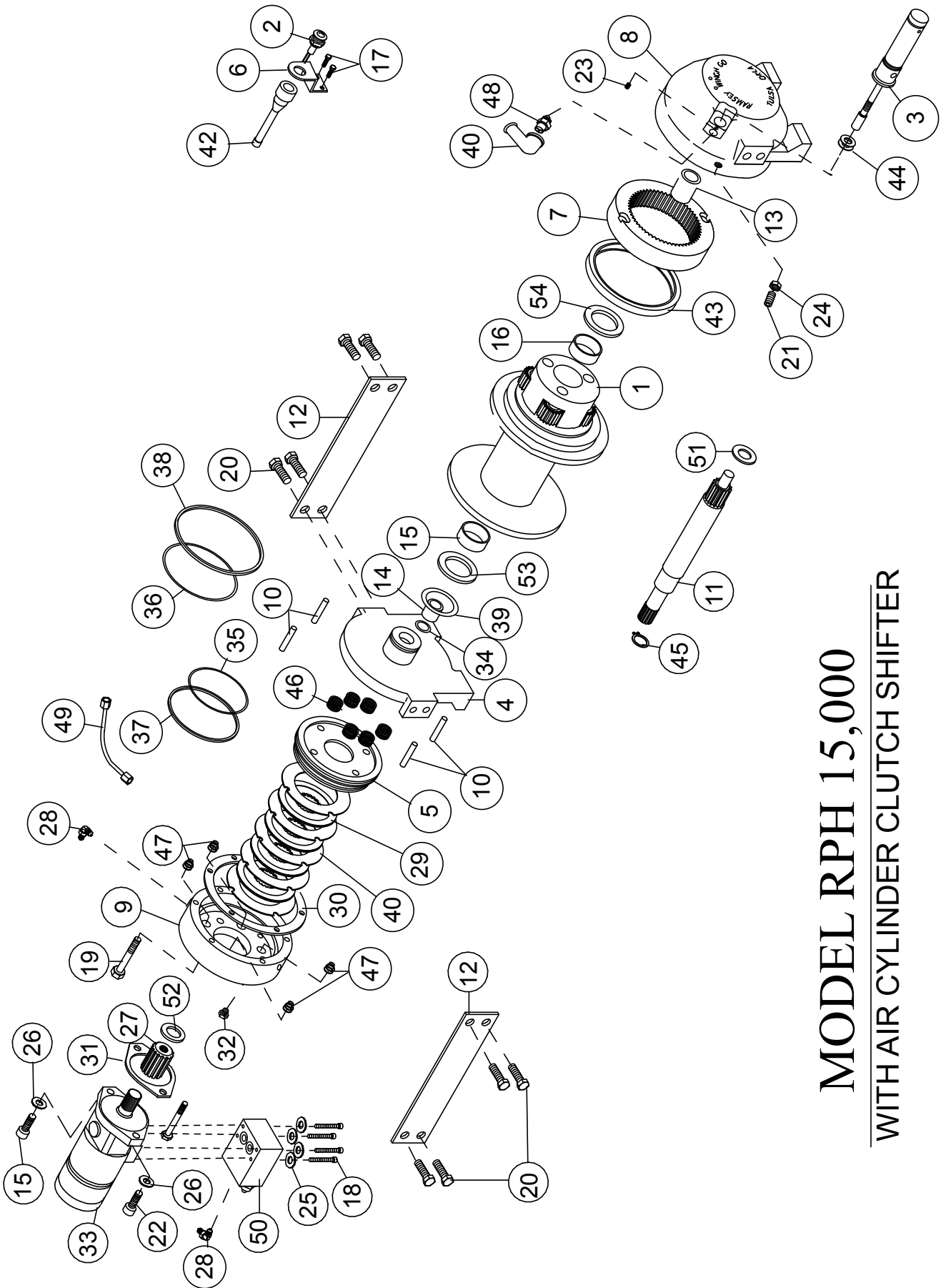
MODEL RPH 15,000

WITH MANUAL CLUTCH SHIFTER

PARTS LIST - RPH 15000 WITH MANUAL CLUTCH SHIFTER

ITEM	QTY.	PART NO.	DESCRIPTION	ITEM	QTY.	PART NO.	DESCRIPTION
1	1	234173	STD. DRUM ASS'Y.	25	1	431015	COUPLING - BRAKE
2	1	234226	SHORT DRUM ASS'Y. SHIFTER ASS'Y.	26	2	432018	FITTING - 7/16 ELBOW
3	1	276052	GEAR-RING	27	4	438022	DISC - BRAKE
4	1	338345	HOUSING - GEAR, END BEARING H	28	1	442220	GASKET - BRAKE
5	1	306042	PISTON - BRAKE	29	1	442223	GASKET - MOTOR
6	1	334177	PIN - BRAKE	30	1	456038	FITTING - VENT
7	1	338414	END BRG-GEAR HSG.	31	1	458090	MOTOR-HYDRAULIC
8	1	338302	HSG-BRAKE,RP	32	1	462056	O-RING
9	4	315009	ROPE ANCHOR*	33	1	462057	O-RING
10	4	346045	PIN - BRAKE	34	1	462058	O-RING
11	1	357518	SHAFT - INPUT (STD. DRUM)	35	1	462059	O-RING
12	1	357521	SHAFT - INPUT (SHORT DRUM)	36	1	462060	O-RING
13	2	395236	TIE PLATE (SHORT DRUM) BEARIN	37	1	462061	O-RING (Drum)
14	2	474224	TIE PLATE (SHORT DRUM) BEARIN	38	1	472052	PLUG
15	1	402120	BEARING - MOTOR END BEARING	39	5	474111	PLATE SEPARATOR
16	1	402121	BEARING - MOTOR END BEARING	40	1	486101	SEAL-GEAR HSG
17	1	412095	BUSHING - DRUM (MTR. END)	41	1	490037	SNAP RING
18	1	412096	BUSHING - DRUM (G.HSG. END)	42	6	494110	SPRING BRAKE
19	4	414159	CAPSCREW - 5/16-18 X 1-1/2 LG H	43	4	494112	SPRING BRAKE
20	6	414303	CAPSCREW - 3/8-16NC X 2-1/2 LG.	44	1	509009	TUBE ASSEMBLY
21	8	414664	CAPSCREW - 5/8-11NC X 1 LG. HX.	45	1	516013	VALV-MOTOR CONTROL
22	1	414926	SETSCREW - 3/8-16NC X 1 LG., SC	46	1	518037	THRUST WASHER
23	2	414948	CAPSCREW - 1/2-13NC X 1-1/4 LG.	47	1	518047	THRUST WASHER
24	1	416016	SETSCREW - 1/4-20NC	48	1	518052	THRUST WASHER
	1	418036	NUT 3/8 - 16NC HEX. JAM	49	1	518053	THRUST WASHER (MTR. END)
	4	418063	LOCKWASHER - 5/16 MED SECT Z	50	1	518054	THRUST WASHER (G. HSG. END)
	2	418218	LOCKWASHER - 1/2 ID MED. SECT.				

* 315009 TO BE USED ON SHORT DRUM



MODEL RPH 15,000
WITH AIR CYLINDER CLUTCH SHIFTER

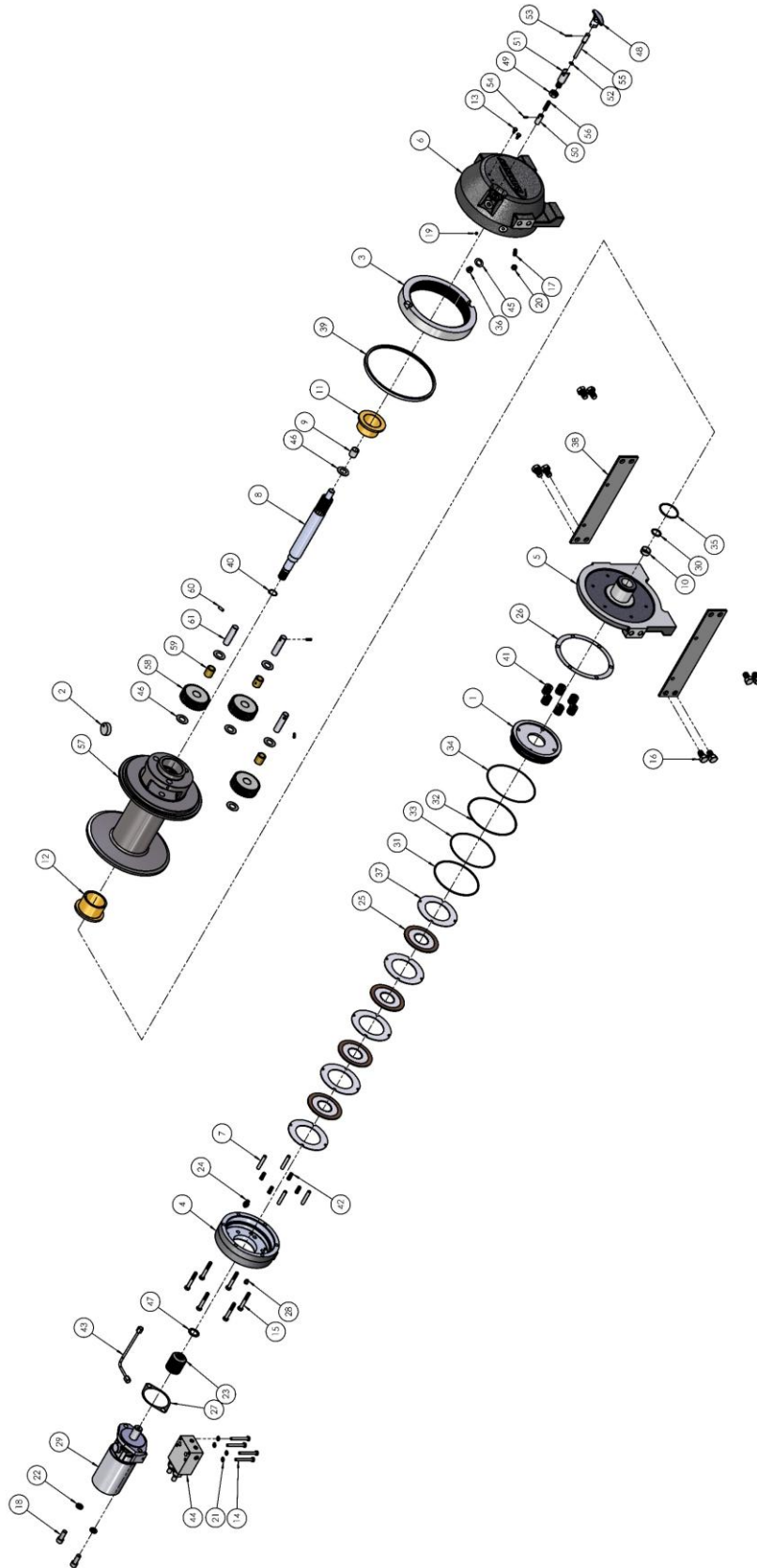
PARTS LIST - RPH 15000 WITH AIR-CYLINDER CLUTCH SHIFTER

ITEM	QTY.	PART NO.	DESCRIPTION	ITEM	QTY.	PART NO.	DESCRIPTION
1	1	234173	STD. DRUM ASS'Y.	27	1	431015	COUPLING - BRAKE
	1	234200	SHORT DRUM ASS'Y. SHIFTER ASS'	28	2	432018	FITTING - 7/16 ELBOW
2	1	236020	LIGHT ASSY	29	4	438022	DISC - BRAKE
3	1	276053	SHIFTER ASSY. - AIR	30	1	442220	GASKET - BRAKE
4	1	338345	END BEARING - MOTOR	31	1	442223	GASKET - MOTOR
5	1	306042	PISTON - BRAKE	32	1	456038	FITTING - VENT
6	1	312526	BRACKET - LIGHT MTG.	33	1	458090	MOTOR-HYDRAULIC
7	1	334177	GEAR-RING	34	1	462056	O-RING
8	1	338414	HOUSING -GEAR, END BEARING	35	1	462057	O-RING
9	1	338302	HOUSING - BRAKE	36	1	462058	O-RING
10	4	346045	PIN - BRAKE	37	1	462059	O-RING
11	1	357518	SHAFT - INPUT (STD. DRUM)	38	1	462060	O-RING
	1	357521	SHAFT - INPUT (SHORT DRUM)	39	1	462061	O-RING (Drum)
12	2	395236	TIE PLATE (STD. DRUM) BEARING	40	5	474111	PLATE SEPARATOR
	2	474224	TIE PLATE (SHORT DRUM) BEARIN	41	1	482013	GROMMET
13	1	402120	BEARING	42	1	482045	RUBBER BOOT
14	1	402121	BEARING - MOTOR END BEARING	43	1	486101	SEAL - GEAR HSG
15	1	412095	BUSHING - DRUM (MTR. END)	44	2	488007	SHIM
16	1	412096	BUSHING - DRUM (G.HSG. END)	45	1	490037	SNAP RING
17	2	414036	CAPSCREW - 5/16-18 X 1-1/2 LG F	46	6	494110	SPRING BRAKE
18	4	414159	CAPSCREW - 3/8-16NC X 2-1/2 LG.	47	4	494112	SPRING BRAKE
19	6	414303	CAPSCREW - 5/8-11NC X 1 LG. HX.	48	1	504021	SWITCH ASSY
20	8	414664	SETSCREW - 3/8-16NC X 1 LG., S	49	1	509009	TUBE ASSEMBLY
21	1	414926	CAPSCREW - 1/2-13NC X 1-1/4 LG	50	1	516013	VALV-MOTOR CONTROL
22	1	414948	SETSCREW - 1/4-20NC	51	1	518047	THRUST WASHER
23	2	416016	NUT 3/8 - 16NC HEX. JAM	52	1	518052	THRUST WASHER
24	1	418036	LOCKWASHER - 5/16 MED SECT 2	53	1	518053	THRUST WASHER (MTR. END)
25	4	418063	LOCKWASHER - 1/2 ID MED. SECT	54	1	518054	THRUST WASHER (G. HSG. END)
26	2	418218	LOCKWASHER - 1/2 ID MED SECT.	55	1	351009	ROPE ANCHOR *

* 315009 TO BE USED ON SHORT DRUM

KITS AND MAINTENANCE PARTS

123414



KITS AND MAINTENANCE PARTS

123414

				KITS						
Item#	QTY.	PART NUMBER	DESCRIPTION	207021	207026	222072	246062	248051	283084	293027
1	1	306042	PISTON-BRAKE	X						
2	1	315009	ROPE ANCHOR							
3	1	334177	GEAR-RING							
4	1	338302	HSG-BRAKE							
5	1	338345	END BEARING-MOTOR							
6	1	338414	END BEARING-GEAR HOUSING							
7	4	346045	PIN-BRAKE,.375 DIA.X2.125 LG.	X						
8	1	357521	SHAFT-INPUT							
9	1	402120	BEARING-GARLOK BRG.#12U16 OR EQUIV.					X		
10	1	402121	BEARING GARLOCK BRG#16DU08/EQ					X		
11	1	412110	BUSHING-DRUM, GEAR END					X		
12	1	412111	BUSHING-DRUM, MOTOR END					X		
13	2	414036	CAPSCREW-1/4-20NC X1/2,HXHD,GR5							
14	4	414159	CS-5/16-18UNCX2.50,HXHD,GR5							
15	6	414303	BOLT-3/8-16NC X2 1/2,HXHD,GR-5							
16	8	414664	CAPSCREW-5/8-11NC X1LG HXHD,GR-5							
17	1	414926	SETSCREW-3/8-16NC X1,SOCKET							
18	2	414948	CAPSCREW-1/2-13NCX1 1/4LG,SOCKET HD							
19	1	416016	SETSCREW 1/4-20NCX1/4 HX SOCK HD CUP			X				
20	1	418036	NUT-3/8-16 NC,HEX JAM							
21	4	418163	LOCKWASHER-5/16 MED SECT							
22	2	418218	LOCKWASHER-1/2 ID MED SECT							
23	1	431015	COUPLING-MOTOR	X					X	
24	1	432018	FITTING, 7/16-20 90 degree							
25	4	438022	DISC-BRAKE		X					
26	1	442220	GASKET-BRAKE HSG		X		X			
27	1	442223	GASKET-MOTOR FLANGE		X		X		X	
28	1	456038	FITTING-VENT,BREATHER							
29	1	458090	MOTOR-HYDDYNAMC							
30	1	462056	O-RING, ID-.984				X			
31	1	462057	O-RING, ID-5.734		X		X			
32	1	462058	O-RING, ID-6.234		X		X			
33	1	462059	RING-BACK-UP, ID-5.75		X		X			
34	1	462060	RING-BACK-UP, ID-6.25		X		X			
35	1	462061	O-RING 2.50 O.D.				X			

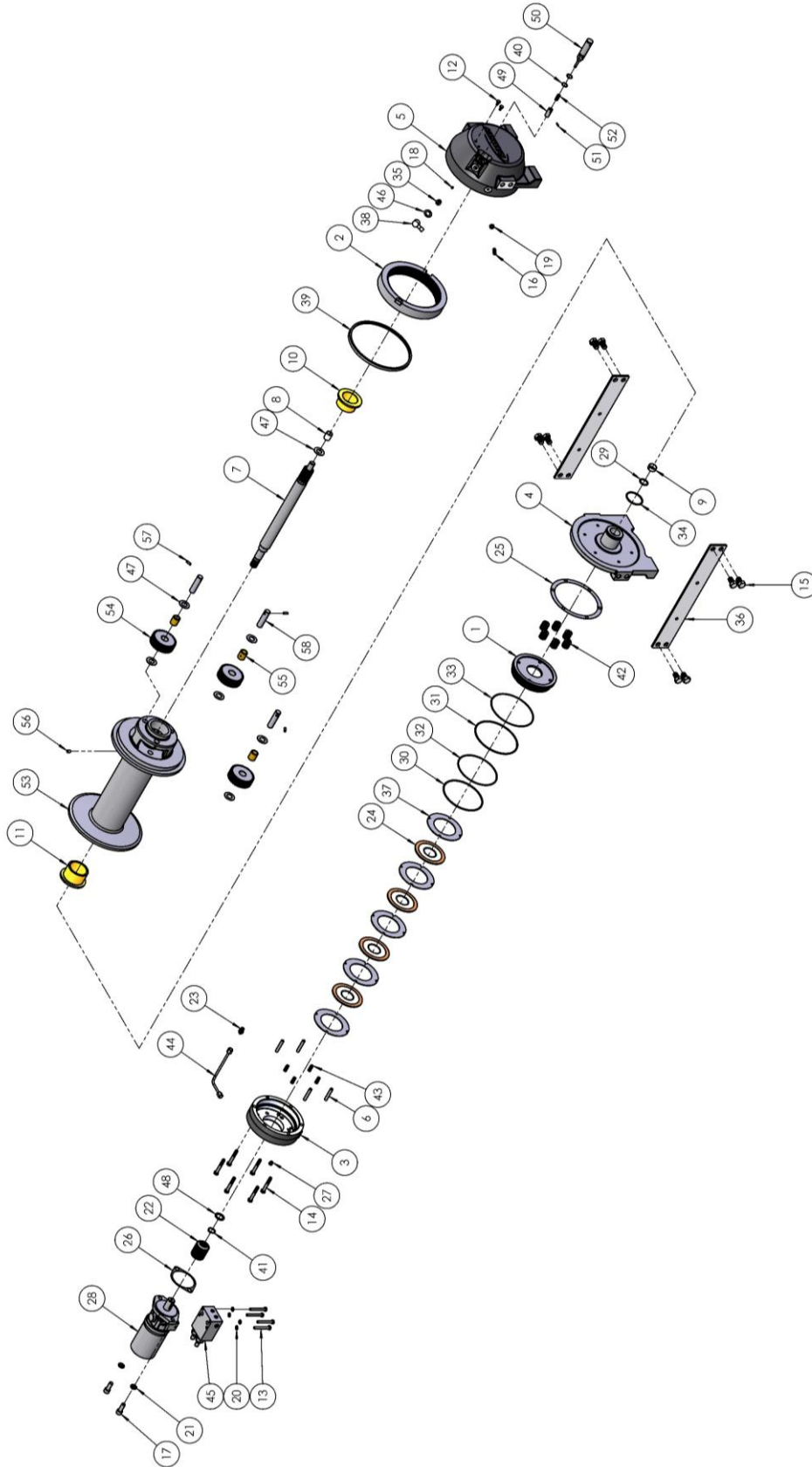
KITS AND MAINTENANCE PARTS

123414

				KITS						
Item#	QTY.	PART NUMBER	DESCRIPTION	207021	207026	222072	246062	248051	283084	293027
36	1	472052	PLUG-SAE							
37	5	474111	PLATE-SEPARATOR,BRAKE		X					
38	2	474224	TIE PLATE							
39	1	486101	SEAL-V RING				X			
40	1	490037	SNAP RING							
41	6	494110	SPRING-BRAKE		X					
42	4	494112	SPRING		X					
43	1	509009	TUBE ASSY-1/4OD							
44	1	516013	VALVE-MTR CONTROL							
45	1	518037	THRUST WASHER					X		
46	7	518047	WASHER-THRUST,.063 THK.X1.50 OD					X		X
47	1	518052	WASHER-THRUST,1.37 O.D.		X			X		
48	1	336026	HANDLE-SHIFTER			X				
49	1	418088	NUT-JAM 5/8-18NF HEX HD			X				
50	1	426046	PLUNGER-CLUTCH			X				
51	1	426050	CYLINDER-CLUTCH			X				
52	1	462045	O-RING-1/16X1/2OD X3/8ID			X	X			
53	1	470033	SPIROL PIN-1/8X7/8			X				
54	1	470088	PIN-SPRING			X				
55	1	489016	SHAFT-SHIFTER			X				
56	1	494104	SPRING-SHIFTER			X				
57	1	332253	DRUM							X
58	3	334178	GEAR-PLANET							X
59	3	412089	BUSHING-PLANET							X
60	3	470086	ROLL PIN-1/4 X 11/16LG							X
61	3	470090	PIN-PLANET							X

KITS AND MAINTENANCE PARTS

123444



KITS AND MAINTENANCE PARTS

123444

Item#	QTY.	PART NUMBER	DESCRIPTION	KITS						
				207021	207026	222067	246062	248051	283084	293023
1	1	306042	PISTON-BRAKE	X						
2	1	334177	GEAR-RING							
3	1	338302	HSG-BRAKE							
4	1	338345	END BEARING-MOTOR							
5	1	338414	END BEARING-GEAR HOUSING							
6	4	346045	PIN-BRAKE,.375 DIA.X2.125 LG.	X						
7	1	357518	SHAFT-INPUT							
8	1	402120	BEARING-GARLOK BRG.#12U16 OR EQUIV.					X		
9	1	402121	BEARING GARLOCK BRG#16DU08/EQ					X		
10	1	412110	BUSHING-DRUM, GEAR END					X		
11	1	412111	BUSHING-DRUM, MOTOR END					X		
12	2	414036	CAPSCREW-1/4-20NC X1/2,HXHD,GR5							
13	4	414159	CS-5/16-18UNCX2.50,HXHD,GR5							
14	6	414303	BOLT-3/8-16NC X2 1/2,HXHD,GR-5							
15	8	414664	CAPSCREW-5/8-11NC X1LG HXHD,GR-5							
16	1	414926	SETSCREW-3/8-16NC X1,SOCKET							
17	2	414948	CAPSCREW-1/2-13NCX1 1/4LG,SOCKET HD							
18	1	416016	SETSCREW 1/4-20NCX1/4 HX SOCK HD CUP			X				
19	1	418036	NUT-3/8-16 NC,HEX JAM							
20	4	418163	LOCKWASHER-5/16 MED SECT							
21	2	418218	LOCKWASHER-1/2 ID MED SECT							
22	1	431015	COUPLING-MOTOR	X					X	
23	1	432018	FITTING, 7/16-20 90 degree							
24	4	438022	DISC-BRAKE		X					
25	1	442220	GASKET-BRAKE HSG		X		X			
26	1	442223	GASKET-MOTOR FLANGE		X		X		X	
27	1	456038	FITTING-VENT,BREATHER							
28	1	458090	MOTOR-HYDDYNAMC							
29	1	462056	O-RING, ID-.984				X			
30	1	462057	O-RING, ID-5.734		X		X			
31	1	462058	O-RING, ID-6.234		X		X			
32	1	462059	RING-BACK-UP, ID-5.75		X		X			
33	1	462060	RING-BACK-UP, ID-6.25		X		X			
34	1	462061	O-RING 2.50 O.D.				X			
35	1	472052	PLUG-SAE							

KITS AND MAINTENANCE PARTS

123444

				KITS						
Item#	QTY.	PART NUMBER	DESCRIPTION	207021	207026	222067	246062	248051	283084	293023
37	5	474111	PLATE-SEPARATOR,BRAKE		X					
38	1	482020	GROMMET							
39	1	486101	SEAL-V RING				X			
40	2	488007	SHIM-AIR CYLINDER							
41	1	490037	SNAP RING							
42	6	494110	SPRING-BRAKE		X					
43	4	494112	SPRING		X					
44	1	509009	TUBE ASSY-1/4OD							
45	1	516013	VALVE-MTR CONTROL							
46	1	518037	THRUST WASHER					X		
47	7	518047	WASHER-THRUST,.063 THK.X1.50 OD					X		X
48	1	518052	WASHER-THRUST,1.37 O.D		X			X		
49	1	426046	PLUNGER-CLUTCH,MANUAL SHIF,RPH12/15							
50	1	433027	AIR CYLINDER CLUTCH SHIFTER			X				
51	1	470088	PIN-SPRING			X				
52	1	494103	SPRING-SHIFTER,CLUTCH			X				
53	1	332171	DRUM							X
54	3	334178	GEAR-PLANET							X
55	3	412089	BUSHING-PLANET							X
56	1	416059	SETSCREW3/8-16NCX1/2 HX SOCK HD CUP							
57	3	470086	ROLL PIN-1/4 X 11/16LG							X
58	3	470090	PIN-PLANET							X

**RAMSEY WINCH INDUSTRIAL WINCH
LIMITED WARRANTY**

1.1 Scope of Warranty Coverage. Upon the terms and subject to the conditions set forth in this limited warranty:

- (a) RAMSEY WINCH (referred to herein as “**RAMSEY WINCH**” or the “**Manufacturer**”) warrants to each initial end user customer (a “**Purchaser**”) of a new industrial winch together with any accessories manufactured and sold directly from RAMSEY WINCH (the “**Product**”) that the Product shall be free from defects in material and workmanship, under normal working and service conditions, for a period of eighteen (18) months from the date the Product is shipped from RAMSEY WINCH. (the “**Warranty Term**”). A Purchaser shall be eligible for an additional eighteen (18) months of coverage in addition to the Warranty Term (also referred to as the “**Standard (+) PLUS benefit**”) only if the Purchaser (i) complies with Section 1.2(a) and (ii) registers the Product during the Warranty Term at myproduct.ramseywinch.com.
- (b) Notwithstanding the foregoing, this warranty does not cover components damaged by accident, abuse, misuse, neglect, untrained operators, collision, overloading, modification, disassembly, rework, misapplication, improper installation, lack of lubrication or maintenance, or improper service. This warranty does not cover the paint or material finish, rope (wire or synthetic), removal or reinstallation of the winch, or normal wear and tear and loss of functionality due to aging of the Product (which may include but is not limited to bearings, bushings, seals, O-rings, gaskets, brake material, motor brushes, electrical cables and more).

1.2 Eligibility of Warranty Coverage.

- (a) A Purchaser shall be eligible for warranty coverage under this Limited Warranty during the Warranty Term only if:
 - (i) Prior to placing a Product in service, and throughout use of the Product during the Warranty Term, the Purchaser provides (or causes to be provided) proper storage such that foreign objects (e.g. rain or debris) cannot enter any Product through entry ports which are normally closed during operation.; and
 - (ii) The Purchaser maintains, or causes to be maintained, the Product according to commercially reasonable standards and utilizes the Product for the purposes for which it was created; and
 - (iii) No repairs or alterations have been made by any party other than RAMSEY WINCH, including Purchaser, unless otherwise authorized in writing by RAMSEY WINCH.

1.3 Transferability of Warranty.

- (a) This warranty is transferable only from the Purchaser to the first subsequent transferee (the “**Transferee**”) of the Product from Purchaser upon (i) written notification to RAMSEY WINCH and (ii) registration of the transfer, both within 30 days of such Product transfer.
- (b) Upon satisfaction of transfer requirements set forth in Section 1.3(a), the Transferee shall succeed to all the rights and obligations of the Purchaser set forth in this Limited Warranty.

1.4 Certain Limitations on Scope of Warranty Service.

- (a) Any obligation of RAMSEY WINCH under this warranty, statutory or otherwise, is limited to the repair of the Product, at its factory or Authorized Service Centers. Notwithstanding the foregoing, if field service or repair is performed by RAMSEY WINCH at the request of the Purchaser and no defect is found with material or workmanship of the Product, the Purchaser shall compensate RAMSEY WINCH for its time and expenses within thirty (30) days of delivery of an invoice relating to the same. If repair is determined by RAMSEY WINCH in its sole, absolute and uncontrolled discretion to be impossible or impractical, then RAMSEY WINCH may satisfy this warranty by replacing the Product. RAMSEY WINCH will not provide any cash payment or credits for defective materials or workmanship.

- (b) Purchaser shall be responsible for any and all freight charges for any Product receiving warranty service under this limited warranty. Any travel time, transportation charges, freight charges, or similar costs incurred by RAMSEY WINCH in connection with the replacement or repair of defective parts, shall, be the responsibility of the Purchaser. If applicable, RAMSEY WINCH shall invoice Purchaser for the total amount of such charges within sixty (60) days of fulfilling its duties under this warranty, payable within thirty (30) days of delivery of such invoice. In no event shall RAMSEY WINCH be liable for bills for service, labor or other expenses that have been incurred by the Purchaser without approval or prior authorization by RAMSEY WINCH for inspection, maintenance, or repair of the Product.
- (c) If a Product is found to be operable upon inspection, the Product, at Purchaser's election, may be either (1) returned to the Purchaser with a service charge from RAMSEY WINCH for inspection, cleaning, and routine replacement of all rubber components and any other parts that show wear; or (2) RAMSEY WINCH can dispose of the product safely.

1.5 **Limitations of Liability.** RAMSEY WINCH shall in no event be liable for punitive, special or consequential damages relating to the Product or this Warranty. RAMSEY WINCH makes no warranty in respect to third-party accessories, upgrades, or additions to the Product.

1.6 **Improving Product.** RAMSEY WINCH reserves the right to improve the Product through changes in design or materials as it may deem desirable or necessary without being obligated to incorporate, upgrade, or otherwise modify previously manufactured products.

1.7 **Limitations of Warranty.**

- (a) THE WARRANTY SET FORTH ABOVE IS THE ONLY EXPRESS WARRANTY. RAMSEY WINCH HEREBY DISCLAIMS AND EXCLUDES ANY OTHER EXPRESS, IMPLIED, OR STATUTORY WARRANTIES, ARISING BY OPERATION OF LAW, COURSE OF DEALING, COURSE OF PERFORMANCE, USAGE, OF TRADE, OR OTHERWISE, INCLUDING, WITHOUT LIMITATION, ANY WARRANTIES OF MERCHANTABILITY, FITNESS FOR A PARTICULAR PURPOSE, AND INTELLECTUAL PROPERTY RIGHTS OF A THIRD PARTY.
- (b) ANY IMPLIED WARRANTY WHICH BY LAW MAY NOT BE EXCLUDED IS LIMITED IN DURATION TO ONE (1) YEAR FROM THE DATE OF ORIGINAL RETAIL PURCHASE OF THE PRODUCT.
- (c) This warranty gives you specific legal rights, and you may also have other rights which vary from jurisdiction to jurisdiction.
- (d) This warranty is valid only in the U.S.A. and Canada. For warranty outside the U.S.A. and Canada contact your nearest Ramsey Winch Distributor.

1.8 **No Modifications to Warranty.** No RAMSEY WINCH dealer, distributor, agent or employee is authorized to make any modification, extension or addition to this warranty.

1.9 **How to Apply for Warranty Coverage.**

All claims are handled by contacting your nearest Ramsey Winch Distributor. For questions, please contact customer support: rwcustomersupport@ramseyindustries.com.

Visit [Dealer Locator - Ramsey Winch](#) for Ramsey Winch Distributor locations and contact information.

Additional warranty, service support, product information, and parts information can be found on www.ramseywinch.com.

NOTES

NOTES

NOTES



Ramsey Winch Company

Post Office Box 581510

Tulsa, Oklahoma 74158-1510

Telephone: (#918) 438-2760 FAX: (#918) 438-6688