

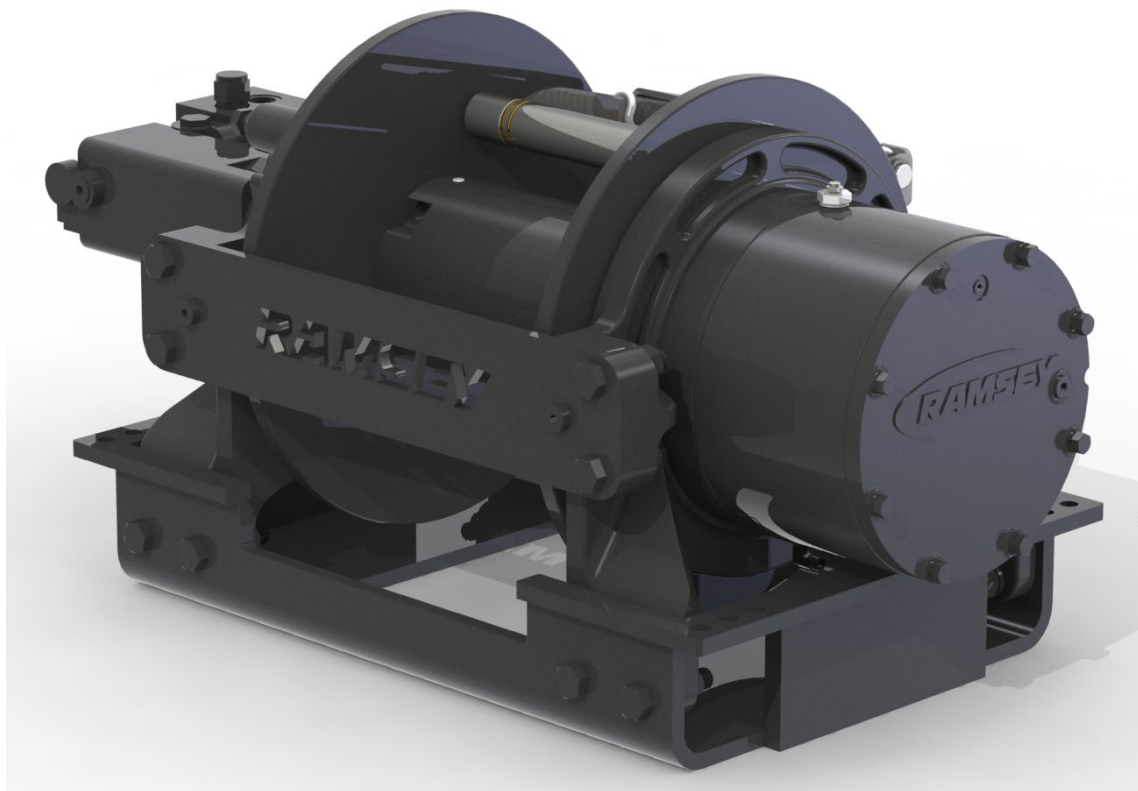


---

Operating/Service/Maintenance Manual

# Helios 30K/35K

OM 914320-0226-E



 **CAUTION**

READ AND UNDERSTAND THIS MANUAL BEFORE INSTALLATION AND OPERATION OF WINCH. SEE WARNINGS.

---

Mailing Address:  
P.O. Box 58151  
Tulsa, OK 74158

Phone: (918) 438-2760  
Fax: (918) 438-6688  
[www.ramseyindustries.com](http://www.ramseyindustries.com)



# Table of Contents

<b>Section Title</b>	<b>Page</b>
Introduction .....	3
Winch Specifications 30K .....	5
Winch BOM 30K .....	6
Installation Details 30K .....	8
Winch Specifications 35K .....	9
Winch BOM 35K .....	10
Installation Details 35K .....	12
Installation Details .....	13
Winch Operation .....	20
Maintenance .....	21
Troubleshooting Guide .....	22
Kits and Maintenance Parts .....	24
Limited Warranty .....	27

## Congratulations!

You have purchased the finest winch available in its service class. It features a highly efficient 3 stage planetary gear set which transmits torque from a series wound D.C. motor. A safe positive clutch allows free spooling for quick rope deployment. An automatic load holding brake is designed to hold the full rated capacity of the winch. It was designed and manufactured to provide you with the utmost in utility. As with any device that combines power and movement in its use, there are dangers if improperly used. At the same time, there are easier and faster ways for getting the job done if certain precautions are taken first. Please read this manual carefully. It contains useful ideas in obtaining the most efficient operation from your Ramsey Winch and safety procedures you need to know before beginning use. When you follow our guidelines for operation, your Ramsey Winch will give you many years of satisfying service. Thank you for choosing Ramsey. You will be glad you have one working for you.

# Notes

---

## Introduction

Please read this manual carefully. This manual contains information to obtain the most efficient operation from your Ramsey Winch and safety procedures you need to know before operating a Ramsey Winch. Do not operate this winch until you have carefully read and understand the entire manual.

Ramsey Winches are designed and built to exacting specifications. Great care and skill go into every winch we make. Refer to the last page for information on the Ramsey Winch limited warranty.

At the time of publishing, this manual is accurate to the best of our knowledge. Ramsey Winch reserves the right to change any or all items, components and parts, necessary for any reason. This right does not obligate Ramsey Winch to immediately update the manual. If in doubt, please call your local Ramsey Winch distributor for the most up-to-date information.



Do not use the winch in hoisting applications due to required hoist safety factors and features.

Do not use the winch to lift, support or otherwise transport people

Do not allow personnel under or near the load.

Do not step over or near a cable under a load.

Do not exceed the maximum line pull ratings shown in specifications.

Always maintain a minimum of five wraps of cable around the drum. This is necessary to hold the load. Do not use the winch as a tie down.
---

Apply blocks to wheels when vehicle is on an incline.
---

Ensure that the clutch is fully engaged before starting the winching operation.

Do not exceed maximum line pull rating shown in tables. Shock loads must not exceed these ratings.
--

Use proper personal protective equipment (PPE) including but not limited to gloves and safety glasses when handling winch cable.

Do not disengage the clutch under load.

When pulling a heavy load, place a blanket, jacket, or tarpaulin over the cable five or six feet from the hook.

Modification, alteration, or deviation to the winch should only be made by Ramsey Winch Company.

Do not try to guide the cable during a loaded pull. Keep yourself and others a safe distance to the side when pulling a load.

Do not start the winch motor before engaging the clutch.

When respooling cable, it is necessary to keep a slight load on the cable. While wearing proper gloves, pull on the cable as the winch is wound in. Do not allow the cable to slip through hands. Do not approach the winch too closely. Disconnect the remote control switch once the cable is two to four feet away and finish spooling in cable by rotating drum by hand with clutch disengaged.

Winch clutch should be disengaged when winch is not in use.

# Introduction

---



Do not move the vehicle to pull load on the winch cable.

Keep the duration of pulls as short as possible. Do not pull more than one minute at or near rated load. Do not maintain power to the winch if the motor stalls. Electric winches are for intermittent usage and should not be used in constant duty applications.

## ***TIPS FOR SAFE OPERATION***

***Don't underestimate the potential danger in winching operations.***

Observe spooling of cable onto drum. Side pulls can cause cable to pile up at one end of the drum. To correct uneven stacking, spool out the stacked section of cable and move it to the other end of the drum and continue winching. Uneven spooling of the winch cable can damage the winch. Observe your winch while in use while maintaining a safe distance.

Store the remote control switch inside your vehicle where it will not become damaged. Inspect the connectors and switch body before you plug it in.

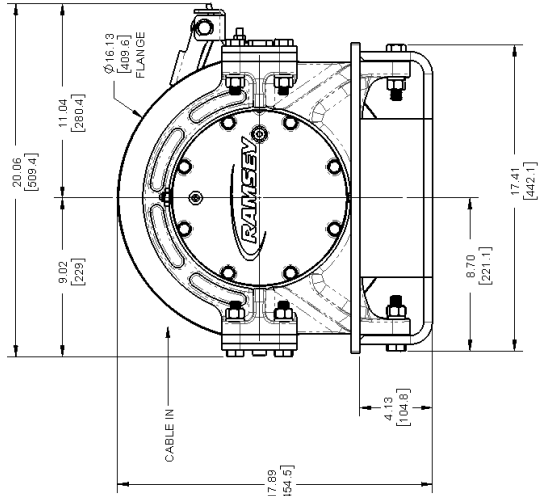
Do not attach tow hooks to winch mounting apparatus. During stationary, double line pulls, then winch hook should be attached to the chassis of the vehicle.

Since the greatest pulling power is achieved on the innermost layer of the winch, it is desirable to pull off as much line as possible for heavy pulls. If necessary, use a snatch block and double line arrangement.

Tight and neat spooling avoids cable binding.

**DO NOT ATTEMPT TO WORK AROUND CABLE UNDER LOAD.**

# Winch Specifications 30K



WINCH DRUM WIDTH:	(in.)	11.75
RATED LINE PULL	(lbs.)	30,018
	(kg.)	13,616
GEAR REDUCTION		33.16 : 1
WEIGHT (WITHOUT CABLE)	(lbs.)	570
	(kg.)	259

LAYER OF CABLE	1	2	3	4	5	6
RATED LINE PULL	(lbs.) 30,018	25,254	21,794	19,168	17,107	15,446
PER LAYER (LOW)	(kg.) 13,616	11,455	9,886	8,695	7,760	7,006
RATED LINE PULL	(lbs.) 15,009	12,627	10,897	9,584	8,554	7,723
PER LAYER (HIGH)	(kg.) 6,808	5,727	4,943	4,347	3,880	3,503
LINE SPEED (LOW)	fpm. 23	27	31	34	38	42
	mpm. 7.0	8.1	9.3	10.5	11.7	12.9
LINE SPEED (HIGH)	fpm. 46	53	61	69	77	84
	mpm. 13.9	16.3	18.7	21.0	23.4	25.8
CABLE CAPACITY	ft. 29	64	105	151	202	259
<small>*DEPENDS ON 10MM DIA. CABLE BEING UNIFORMLY WOUND ONTO DRUM</small>	m. 9	20	32	46	62	79

Winch and Specifications conform to SAE J706

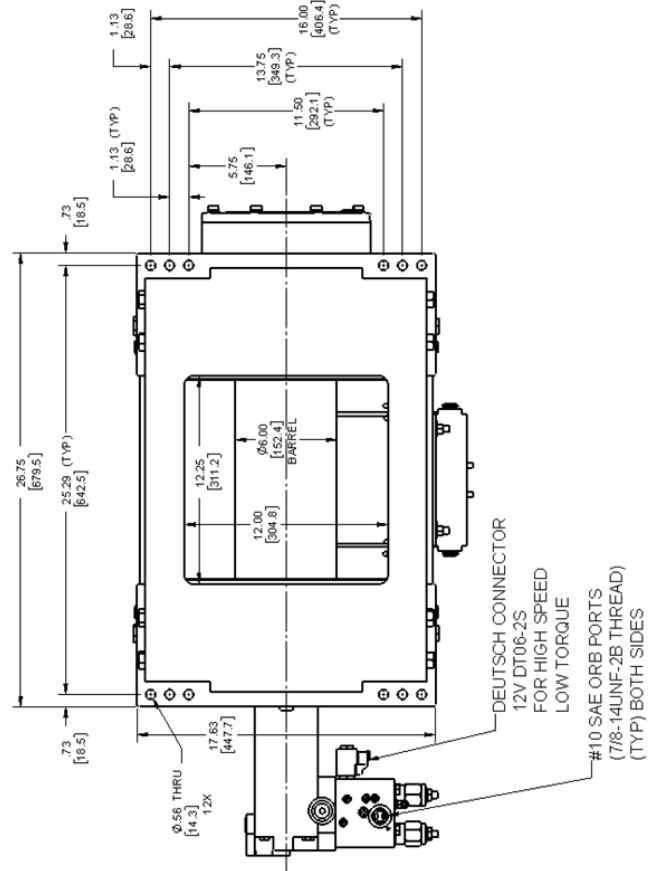
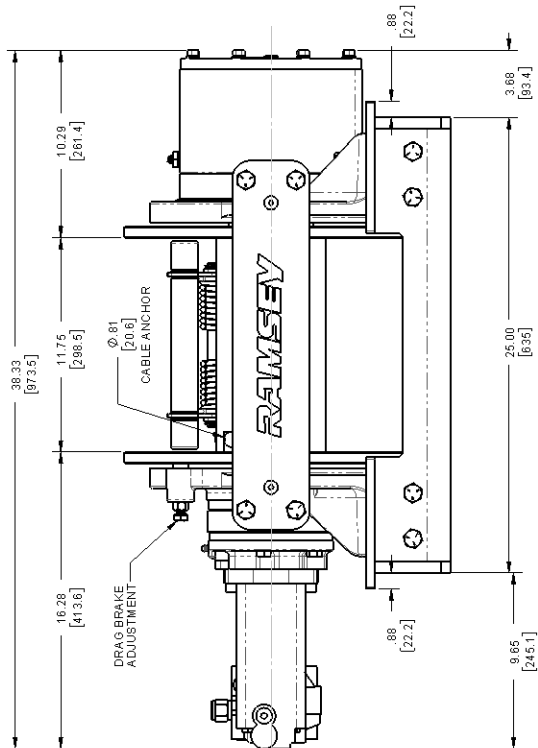
Specification Conditions:

Hydraulic Pressure and Flow: 2230 psi. and 25 gpm.

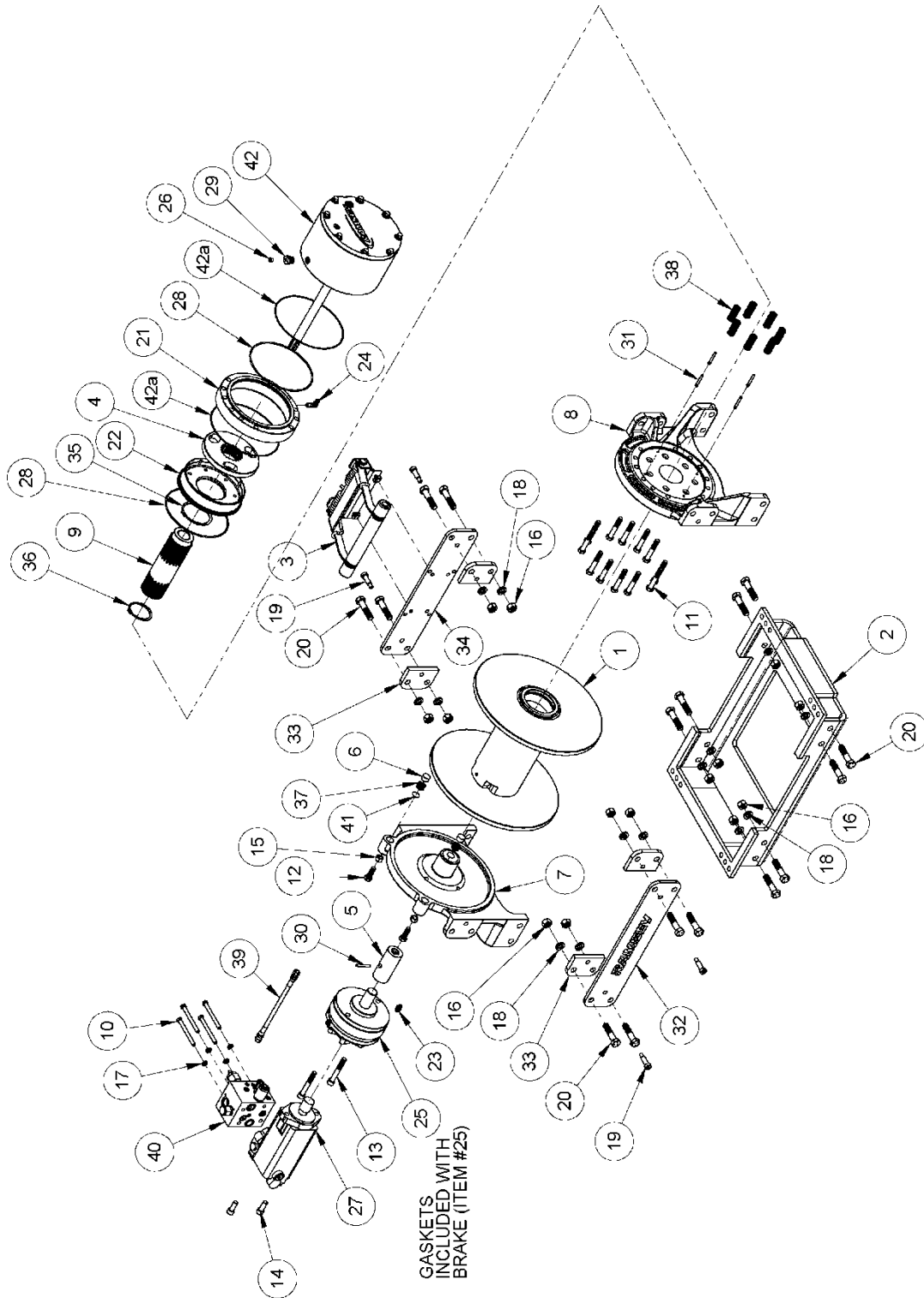
Motor Displacement: 11.9 cu. in./rev

Wire Rope Diameter: 5/8 in. EIPS or equivalent

\*THESE SPECIFICATIONS ARE BASED ON RECOMMENDED WIRE ROPE OF .75" DIAMETER EIPS CABLE AND 11.9 CU. IN./REV MOTOR AT 2725 WORKING PRESSURE  
 \*USE ONLY RAMSEY WINCH RECOMMENDED 5/8" EIPS OR EQUIVALENT  
 \* DIRECTIONAL CONTROL VALVE: 3-POSITION, 4 WAY MOTOR SPOOL  
 \*WINCH MEETS SAE J706



# Exploded View 30k



# Winch BOM 30K

ITEM NO.	QTY	PART NO.	DESCRIPTION
1	1	234275	DRUM ASSEMBLY
2	1	242187	WELDMENT-LOWMOUNT FRAME
3	1	299809	SPRING TENSIONER ASSEMBLY
4	1	324520	CLUTCH
5	1	324528	COUPLING
6	2	330015	DRAG PUCK
7	1	338470	MOTOR END BEARING
8	1	338471	GEAR END BEARING
9	1	357552	OUTPUT COUPLING
10	4	414400	CAPSCREW-3/8-24 NF X 4LG, HX HD, GR-5
11	12	414543	CAPSCREW-1/2-13 NC X 3, HX HD, Z/P, G5
12	2	414548	CAPSCREW-1/2-13 NC x 1-1/2 LONG, HX HD
13	2	414595	CAPSCREW-1/2-13 NC X 3-1/2, HX SOC HD
14	2	414964	CAPSCREW-1/2-13 NC X 1-1/4LG, SOCKET HD
15	2	418069	NUT-1/2-13 NC HEX REG, ZINC PLATED
16	16	418080	NUT-5/8-11 NC REG HEX, ZINC PLATED
17	4	418177	LOCKWASHER-3/8 MED SECTION, ZINC PLT
18	16	418237	LOCKWASHER-5/8 MED SECTION, ZINC PLT
19	4	418453	SHOULDER BOLT, 1/2 X 1-1/4 LG, Z/P
20	16	420048	CAPSCREW-5/8-11 NC X 2.25 LG, HX HD, GR5
21	1	426061	CLUTCH CYLINDER
22	1	426062	PISTON
23	1	432023	BRAKE FITTING
24	1	432041	AIR FITTING
25	1	438044	HYDRAULIC BRAKE
26	1	456008	RELIEF VENT
27	1	458126	HYDRAULIC MOTOR
28	2	462110	O-RING
29	1	468004	REDUCER
30	1	470089	SPRING PIN
31	4	470156	TAPER PIN
32	1	474250	TIE PLATE W/LOGO
33	4	474252	SPACER-TIE PLATE
34	1	474250	TIE PLATE
35	1	490067	RETAINING RING
36	1	490072	RETAINING RING
37	2	494002	SPRING-DRUM FREESPOOL
38	2	494140	CLUTCH SPRING
39	1	509138	HOSE
40	1	516061	MOTOR CONTROL VALVE
41	2	530094	SPACER-BRAKE DISC
42	1	530177	GEARBOX

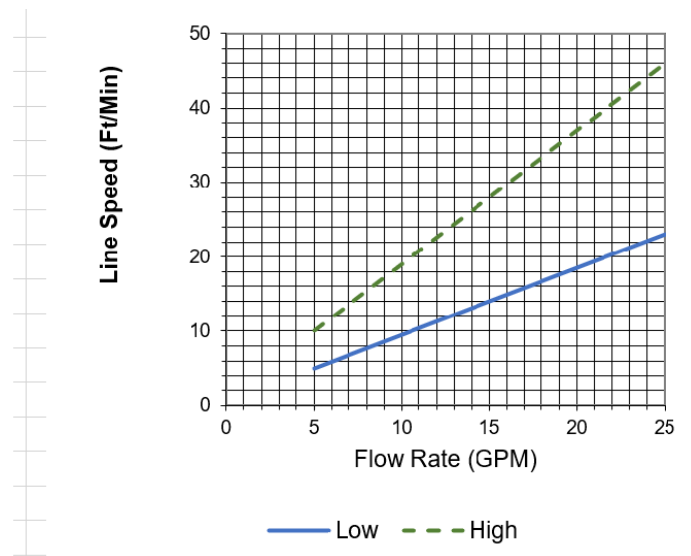
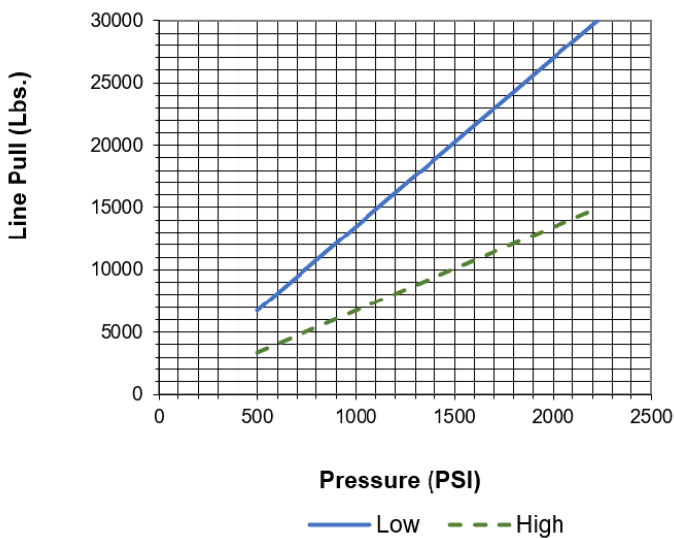
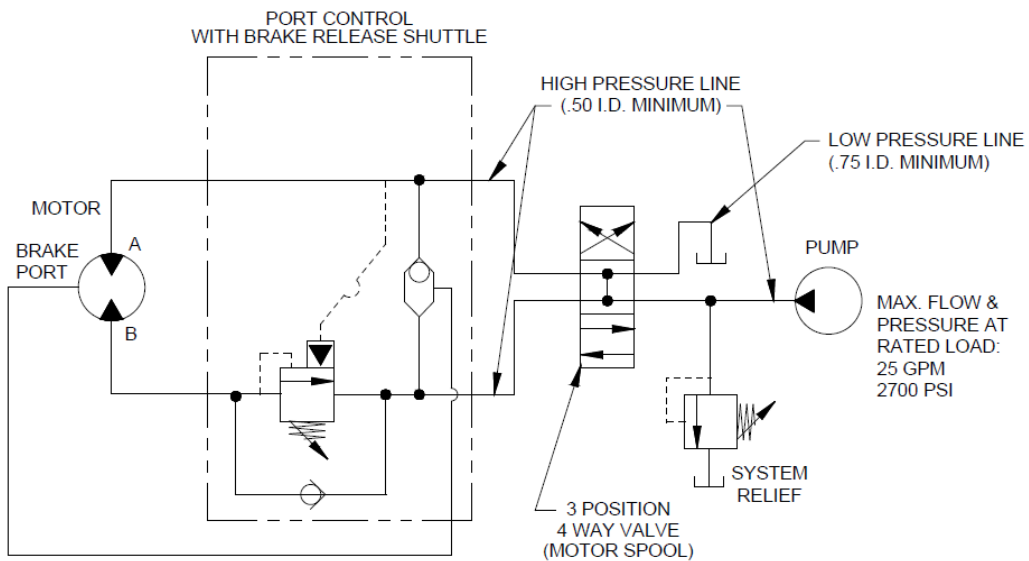
# Installation Details 30K

## Hydraulic System Requirements

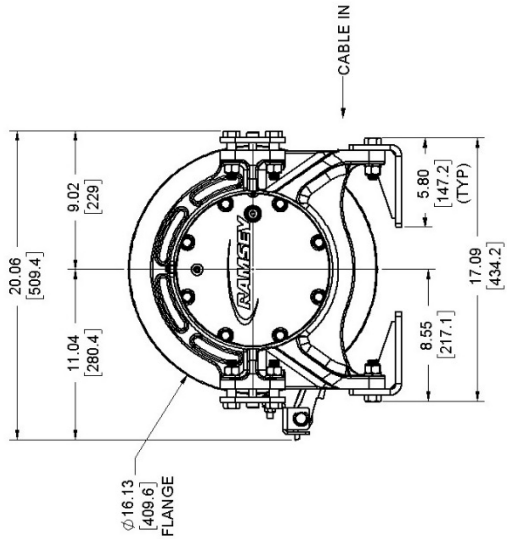
Refer to the performance to properly match your hydraulic system to Helios 30K winch performance.

(1) Line pull (lbs.) first layer vs. working pressure (PSI) and (2) line speed (FPM) first layer vs. flow (GPM). Performance is based on a motor displacement of 11.9 cubic inches with 25 GPM maximum flow rate. See page 18 for motor port size.

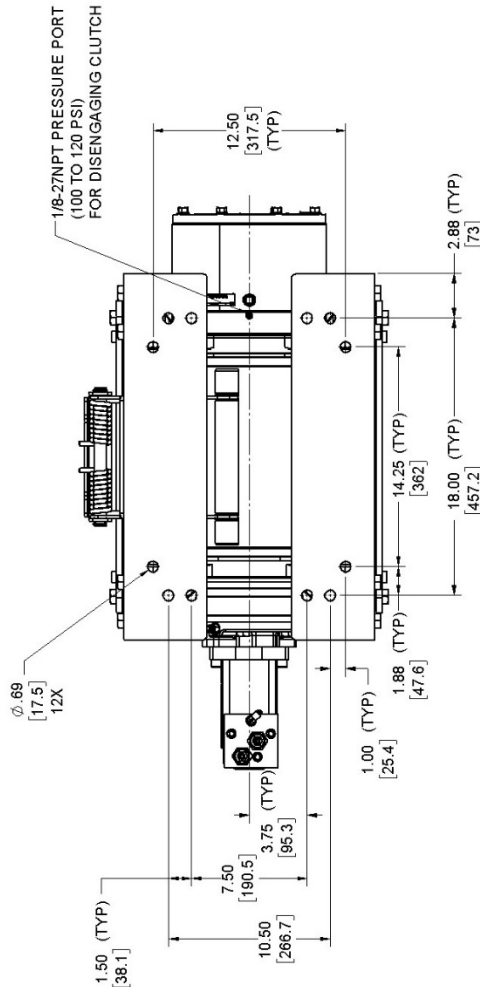
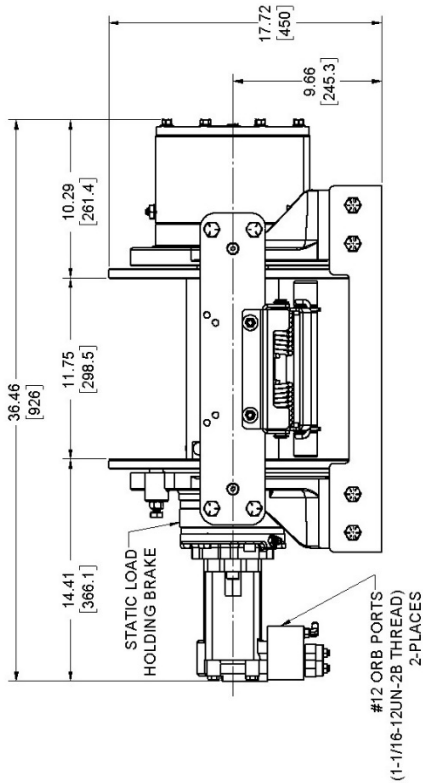
### TYPICAL LAYOUT



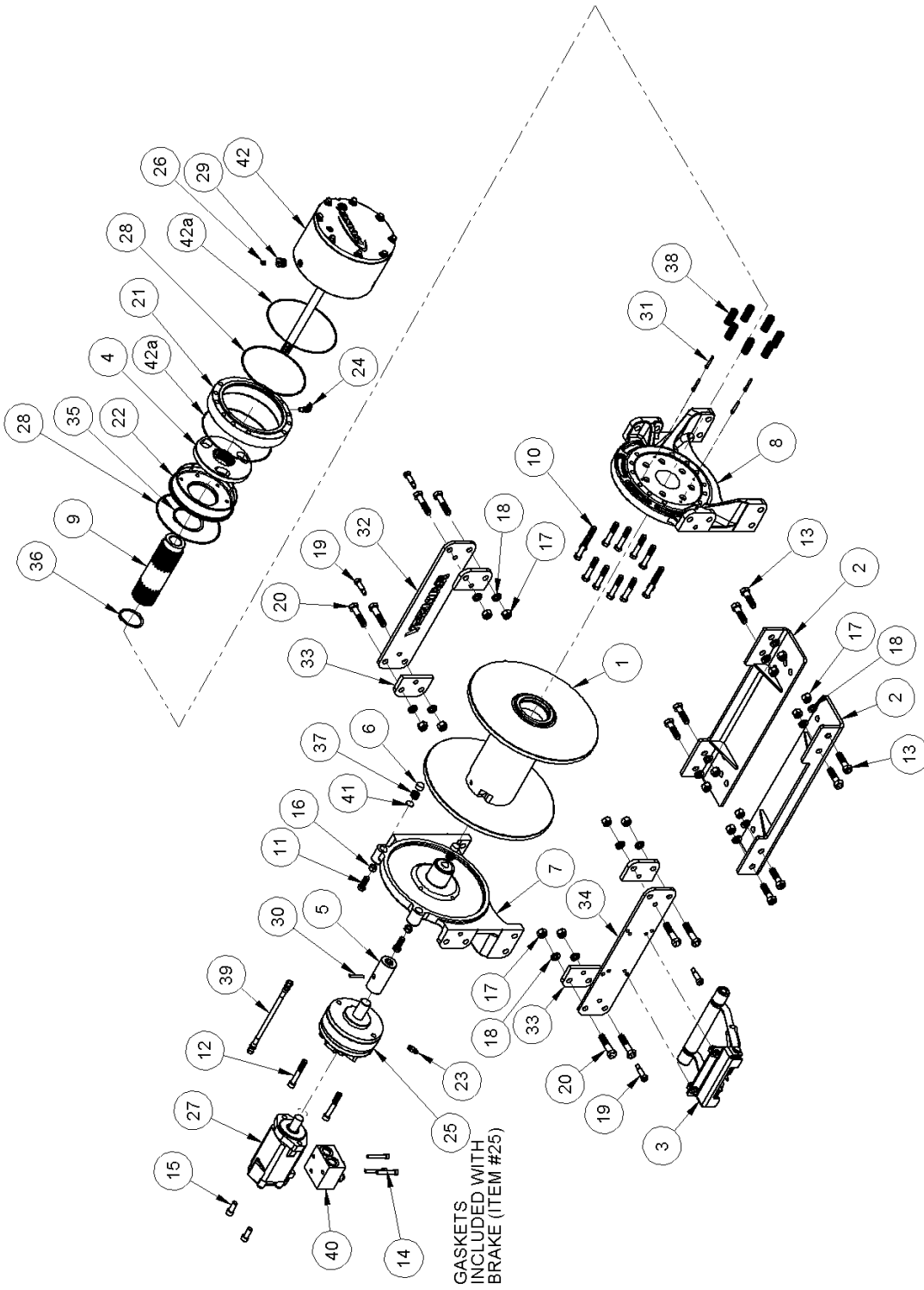
# Winch Specifications 35K



WINCH DRUM WIDTH:	(in.)	.....	11.75				
RATED LINE PULL	(lbs.)	.....	35,000				
	(kg.)	.....	15,876				
GEAR REDUCTION	.....	.....	33.16 : 1				
WEIGHT (WITHOUT CABLE)	(lbs.)	.....	492				
	(kg.)	.....	223				
LAYER OF CABLE		1	2	3	4	5	6
RATED LINE PULL	(lbs.)	35,000	29,444	25,411	22,349	19,946	18,010
PER LAYER	(kg.)	15,876	13,356	11,526	10,138	9,047	8,169
CABLE CAPACITY	ft.	29	64	105	151	202	259
	m.	9	20	32	46	62	79
LINE SPEED	fpm.	23	27	31	34	38	42
	mpm	7.0	8.1	9.3	10.5	11.7	12.9
Winch and Specifications conform to SAE J706							
Specification Conditions:							
Hydraulic Pressure and Flow: 2600 psi. and 25 gpm.							
Motor Displacement: 11.9 cu. in./rev							
Wire Rope Diameter: 5/8 in. EIPS or equivalent							
*THESE SPECIFICATIONS ARE BASED ON RECOMMENDED WIRE ROPE OF .75" DIAMETER EIPS CABLE AND 11.9 CU. IN /REV MOTOR AT 2725 WORKING PRESSURE							
*USE ONLY RAMSEY WINCH RECOMMENDED 5/8" EIPS OR EQUIVALENT							
* DIRECTIONAL CONTROL VALVE: 3-POSITION, 4 WAY MOTOR SPOOL							
*WINCH MEETS SAE J706							



# Exploded View 35k



# Winch BOM 35K

ITEM NO.	QTY	PART NO.	DESCRIPTION
1	1	234275	DRUM ASSEMBLY
2	2	243080	WELDMENT-BASE ANGLE
3	1	299809	ASSEMBLY-ROLLER TENSIONER
4	1	324520	CLUTCH
5	1	324528	COUPLING
6	2	330015	DRAG PUCK-DRUM FREESPOOL
7	1	338470	MOTOR END BEARING
8	1	338471	GEAR END BEARING
9	1	357552	OUTPUT COUPLING
10	12	414543	CAPSCREW-1/2-13 NC X 3, HX HD, Z/P, G5
11	2	414548	CAPSCREW-1/2-13 NC X 1.5, HX HD
12	2	414595	CAPSCREW-1/2-13 NC x 3-1/2 LONG, HX SOC HD
13	8	414669	CAPSCREW-5/8-11 NC X 2-1/4
14	3	414935	CAPSCREW-3/8-16 NC X 2.5 LG, SOCKET HD
15	2	414948	CAPSCREW-1/2-13 NC x 1.25LG SOC HD
16	2	418069	NUT-1/2-13 NC
17	16	418080	NUT-5/8-11 NC REG HEX, ZINC PLATED
18	16	418237	LOCKWASHER-5/8 MED SECTION, ZINC PLT
19	4	418452	BOLT-SHOULDER, .500 X 1.25LG, 3/8-16NC X 5/8LG
20	8	420048	CAPSCREW-5/8-11 NC X 2-3/4
21	1	426061	CLUTCH CYLINDER
22	1	426062	CLUTCH PISTON
23	1	432023	FITTING-7/16-20, 90, PARKER #4-C50 X-LOK
24	1	432041	FITTING-AIR
25	1	438044	BRAKE-MODULAR AUSCO #91795 HDP40-50
26	1	456008	RELIEF FIT-1/8-27 PFT, BALL CHECK, Z/P
27	1	458133	HYDRAULIC MOTOR
28	2	462110	O-RING
29	1	468004	REDUCER-1/2-1/8 NPTF, HEX, STL PLAIN
30	1	470089	SPRING PIN
31	4	470156	THREADED TAPER PIN
32	1	474250	TIE PLATE W/LOGO
33	4	474252	TIE PLATE SPACER
34	1	474270	TIE PLATE
35	1	490067	RING-RETAINER
36	1	490072	RING-RETAINER
37	2	494002	SPRING-DRUM FREESPOOL
38	7	494140	SPRING-CLUTCH
39	1	509138	HOSE
40	1	516011	MOTOR CONTROL VALVE
41	2	530094	SPACER-BRAKE DISC
42	1	530177	GEAR BOX ASSEMBLY

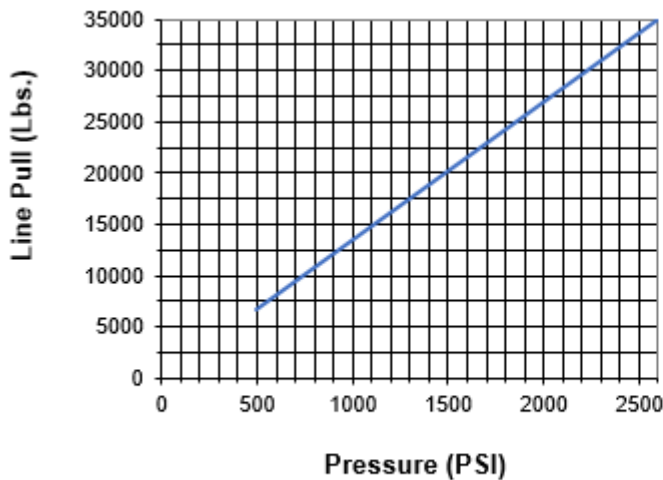
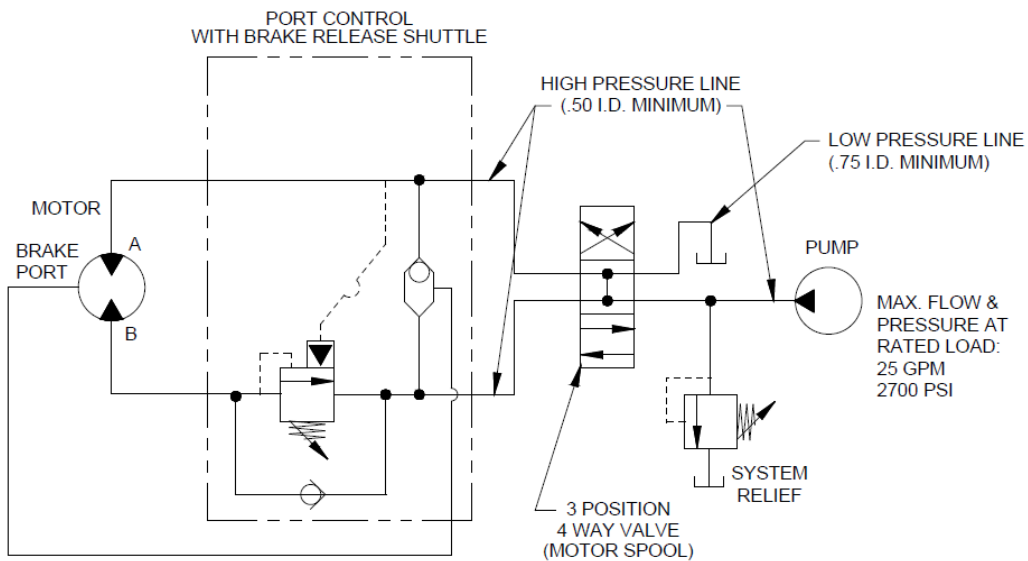
# Installation Details 35K

## Hydraulic System Requirements

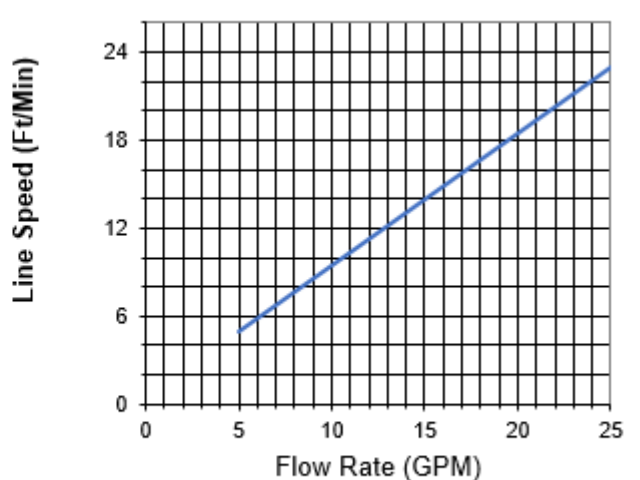
Refer to the performance to properly match your hydraulic system to Helios 30K winch performance.

(1) Line pull (lbs.) first layer vs. working pressure (PSI) and (2) line speed (FPM) first layer vs. flow (GPM). Performance is based on a motor displacement of 11.9 cubic inches with 25 GPM maximum flow rate. See page 18 for motor port size.

### TYPICAL LAYOUT



12 HELIOS 30K/35K



OM 914320-0226-E

### Synthetic Rope Installation

1. Tape the end of the rope with electrical tape 2"-3" from end as shown in picture. This will aid in installing the rope through the anchor hole.



2. Run rope through anchor hole. Pull approximately 60" of rope past anchor.



# Installation Details

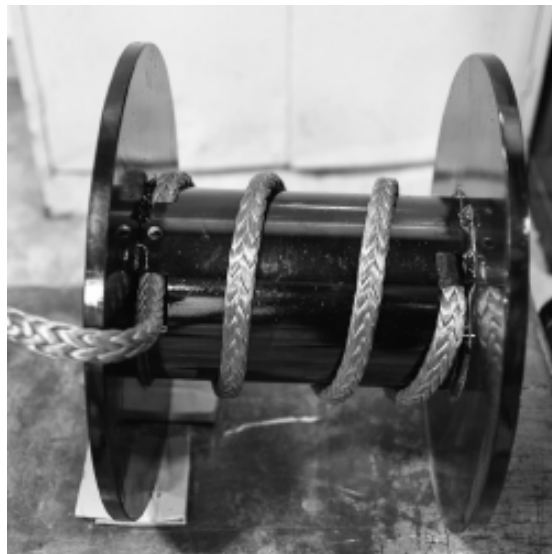
---

## Synthetic Rope Installation

3. Spiral wrap rope around drum barrel, approximately three times, evenly spaced to second flange.



4. Pull excess slack from rope until rope is tight against drum barrel. Tape end of rope onto drum.



### Synthetic Rope Installation

5. Wind rope onto drum (no load) for a minimum of eight wraps before applying load to install entire length of rope.



# Installation Details

## Synthetic Rope Installation

INSPECTION	WHAT	CAUSE	CORRECTIVE ACTION:
<b>CUT STRANDS</b>	TWO OR MORE CUT STRANDS IN PROXIMITY	<ul style="list-style-type: none"> <li>• ABRASION</li> <li>• SHARP EDGES AND SURFACES</li> <li>• CYCLIC TENSION WEAR</li> </ul>	IF POSSIBLE, REMOVE AFFECTED SECTION AND RESPLICE WITH A STANDARD END-FOR-END SPLICE. IF RESPLICING IS NOT POSSIBLE, RETIRE THE ROPE.
<b>COMPRESSION</b>	<ul style="list-style-type: none"> <li>• VISIBLE SHEEN</li> <li>• STIFFNESS REDUCED BY FLEXING THE ROPE</li> <li>• NOT TO BE CONFUSED WITH MELTING</li> <li>• OFTEN SEEN ON WINCH DRUMS</li> </ul>	<ul style="list-style-type: none"> <li>• FIBER MOLDING ITSELF TO THE CONTACT SURFACE UNDER A RADIAL LOAD.</li> </ul>	FLEX THE ROPE TO REMOVE COMPRESSION.
<b>PULLED STRAND</b>	<ul style="list-style-type: none"> <li>• STRAND PULLED AWAY FROM THE REST OF THE ROPE</li> <li>• IS NOT CUT OR OTHERWISE DAMAGED</li> </ul>	<ul style="list-style-type: none"> <li>• SNAGGING ON EQUIPMENT OR SURFACES</li> </ul>	WORK BACK INTO THE ROPE.
<b>MELTED OR GLAZED FIBER</b>	<ul style="list-style-type: none"> <li>• FUSED FIBERS</li> <li>• VISIBLY CHARRED AND MELTED FIBERS, YARNS, AND/OR STRANDS</li> <li>• EXTREME STIFFNESS</li> <li>• UNCHANGED BY FLEXING</li> </ul>	<ul style="list-style-type: none"> <li>• EXPOSURE TO EXCESSIVE HEAT, SHOCK LOAD, OR A SUSTAINED HIGH LOAD</li> </ul>	IF POSSIBLE, REMOVE AFFECTED SECTION AND RESPLICE WITH A STANDARD END-FOR-END SPLICE. IF RESPLICING IS NOT POSSIBLE, RETIRE THE ROPE.

# Installation Details

## Synthetic Rope Installation

INSPECTION	WHAT	CAUSE	CORRECTIVE ACTION:
<b>DISCOLORATION/DEGRADATION</b>	<ul style="list-style-type: none"> <li>FUSED FIBERS</li> <li>BRITTLE FIBERS</li> <li>STIFFNESS</li> </ul>	<ul style="list-style-type: none"> <li>CHEMICAL CONTAMINATION</li> </ul>	IF POSSIBLE, REMOVE AFFECTED SECTION AND RESPLICE WITH A STANDARD END-FOR-END SPLICE. IF RESPLICING IS NOT POSSIBLE, RETIRE THE ROPE.
<b>INCONSISTENT DIAMETER</b>	<ul style="list-style-type: none"> <li>FLAT AREAS</li> <li>LUMPS AND BUMP</li> </ul>	<ul style="list-style-type: none"> <li>SHOCK LOADING</li> <li>BROKEN INTERNAL STRAND</li> </ul>	IF POSSIBLE, REMOVE AFFECTED SECTION AND RESPLICE WITH A STANDARD END-FOR-END SPLICE. IF RESPLICING IS NOT POSSIBLE, RETIRE THE ROPE.
<b>ABRASION</b>	<ul style="list-style-type: none"> <li>BROKEN FILAMENTS AND YARNS</li> </ul>	<ul style="list-style-type: none"> <li>ABRASION</li> <li>SHARP EDGES AND SURFACES</li> <li>CYCLIC TENSION WEAR</li> </ul>	CONSULT ABRASION IMAGES* AND RATE INTERNAL/EXTERNAL ABRASION LEVEL OF ROPE. EVALUATE ROPE BASED ON ITS MOST DAMAGED SECTION.

Minimal strength loss (continue use)
  Significant strength loss (consult rope supplier)
  Severe strength loss (retire rope)

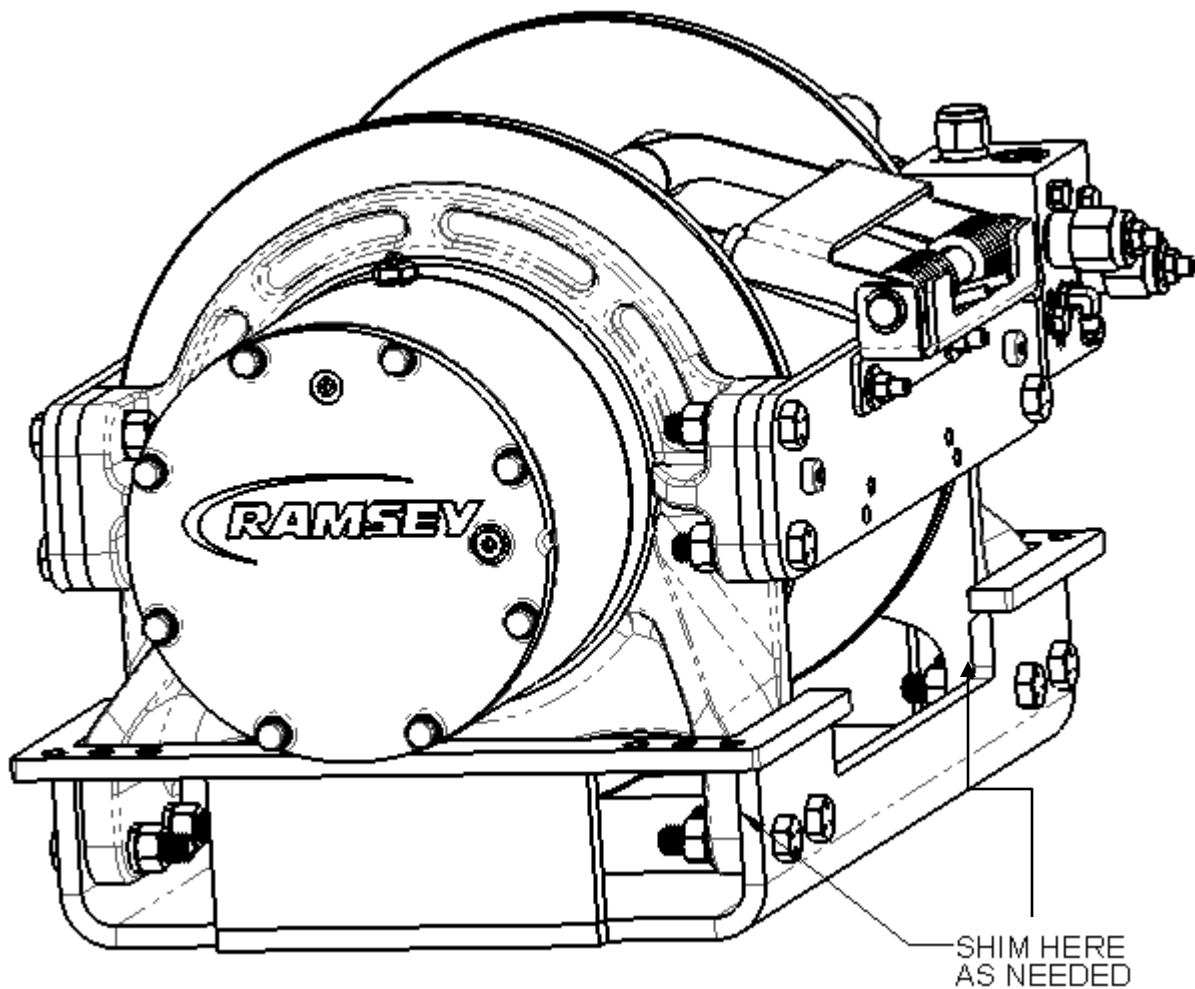


# Installation Details

---

## Shim Procedure

Due to manufacturing differences, there might be more space between the winch and the frame. If the winch is loose, shim as needed.





# Winch Operation

---

## Winch Operation

### MANUAL CLUTCH OPERATING INSTRUCTIONS

The clutch provides free spooling and clutch engagement with cable drum. With the clutch disengaged, the cable can be pulled off the drum by hand. For winching in the load, the clutch must be fully engaged with the drum.

To disengage the clutch, run the winch in the reverse (Reel Out) direction until the load is off the cable and the cable drum stops turning. Pull outward on the clutch handle, rotate it to the disengaged position and release. The clutch is now locked out and the cable may be pulled off by hand.

(**Note:** If the clutch handle can't be pulled out, again run the winch momentarily in reverse to relieve pressure on the clutch.)



**Do not attempt to disengage the clutch when there is a load on the cable.**

To engage the clutch, rotate the handle to the engaged position and release. Run the winch in reverse until the clutch handle snaps fully in or until the cable drum starts turning. At this point make sure the clutch handle is all the way in. After the clutch is fully engaged, the winch is ready for winching in the cable.

## Maintenance

Adhering to the following maintenance schedule will keep your winch in top condition and performing as it should with a minimum of repair.

### Weekly

1. Check the oil level and maintain it to the oil level plug. If oil is leaking out, determine location and repair.
2. Check the pressure relief plug in the gear housing cover. Be sure that it is not plugged.
3. Lubricate cable with light oil.

### Monthly

1. Check the winch mounting bolts. If any are missing, replace them and securely tighten any that are loose. Use grade 5 or better bolts.
2. Inspect the cable. If the cable has become frayed with broken strands, replace immediately.
3. Inspect synthetic rope and follow inspection criteria.

### Annually

1. Drain the oil from the winch annually or more often if winch is used frequently.
2. Fill the winch to the oil level plug with clean kerosene. Run the winch a few seconds with no load in the reel in direction. Drain the kerosene from the winch.
3. Refill the winch to the oil level plug with all-purpose SAE 75W-90 synthetic gear oil.
4. Inspect frame and surrounding structure for cracks or deformation.

# Troubleshooting Guide

---

## Troubleshooting Guide

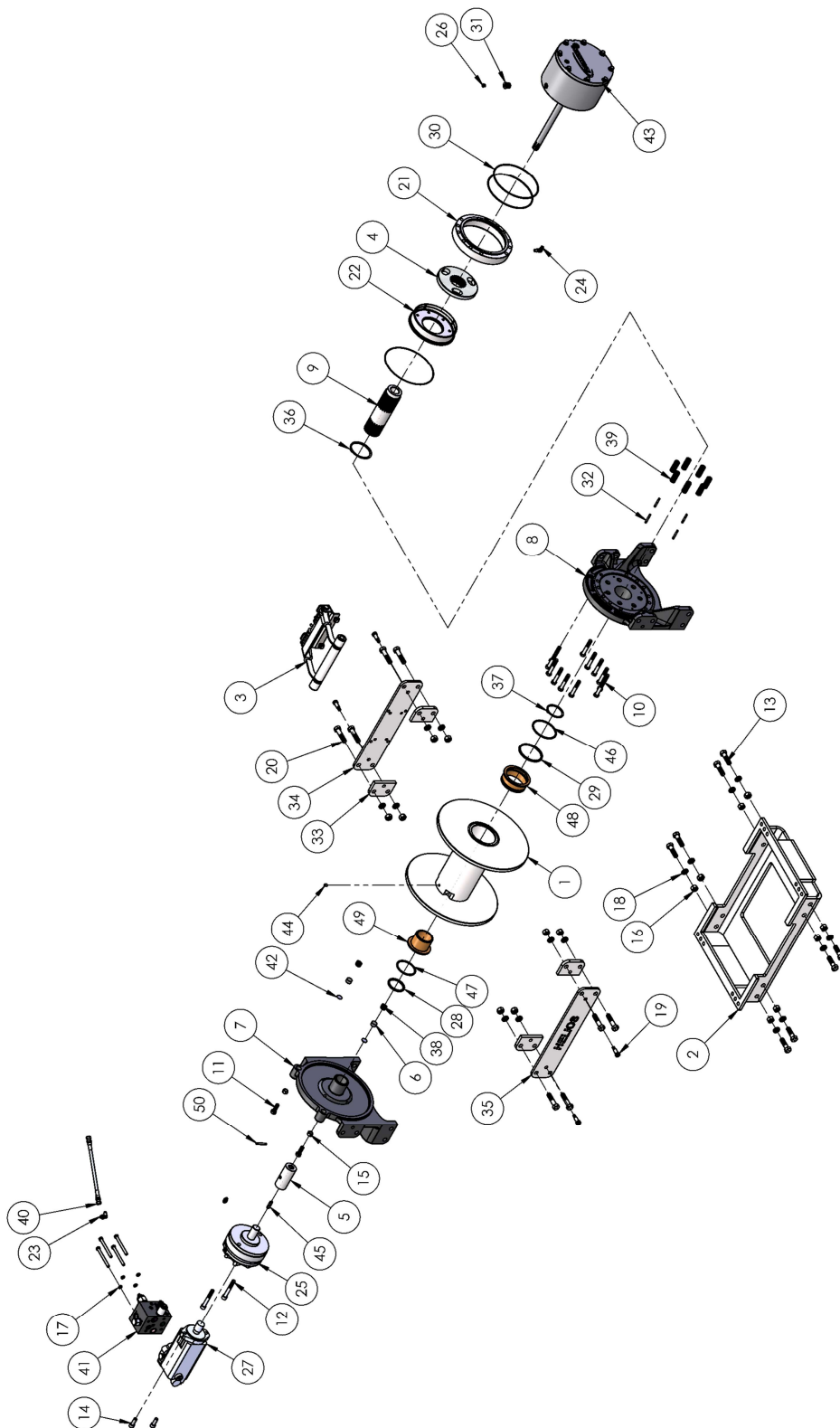
**NOTE: The winch may make more noise when running in the "OUT" direction under load. This noise should decrease with use and is not detrimental to the winch operation.**

<b>TROUBLESHOOTING GUIDE</b>		
<b>CONDITIONS</b>	<b>POSSIBLE CAUSE</b>	<b>CORRECTION</b>
OIL LEAKS FROM WINCH	1. SEALS DAMAGED OR WORN 2. TOO MUCH OIL 3. DAMAGED GASKETS	1. REPLACE SEAL 2. DRAIN EXCESS OIL. REFER TO OPERATION 3. REPLACE GASKETS
WINCH RUNS TOO SLOW	1. LOW FLOW RATE 2. HYDRAULIC MOTOR WORN OUT	1. CHECK FLOW RATE. REFER TO HYDRAULIC SYSTEMS PERFORMANCE CHART PAGE 2. 2. REPLACE MOTOR
CABLE DRUM WILL NOT FREE-SPOOL	1. CLUTCH NOT DISENGAGED	1. CHECK AIR PRESSURE TO CLUTCH CYLINDER: 100 PSI MINIMUM REQUIRED. REFER TO PAGE 15 FOR PORT LOCATION.
BRAKE WILL NOT RELEASE	1. BRAKE LINE DISCONNECTED OR BLOCKED	1. CHECK BRAKE FUNCTION



# Kits and Maintenance Parts

128903



# Kits and Maintenance Parts

**128903**

Item#	QTY.	PART NUMBER	DESCRIPTION	KITS				
				207033	222080	246067	248059	283091
1	1	234274	ASSEMBLY-DRUM					
2	1	242187	WELDMENT-LOW MOUNT FRAME					
3	1	299809	ASSEMBLY-SPRING ROLLER TENSIONER					
4	1	324520	CLUTCH- HDP 35000		X			
5	1	324528	COUPLING-MOTOR					X
6	2	330015	PUCK-DRUM DRAG FREESPOOL					
7	1	338470	MOTOR END BEARING					
8	1	338471	END BEARING-GEAR END					
9	1	357552	SHAFT-OUTPUT					
10	12	414543	CAPSCREW-1/2-13NCX3LG,HXHD,GR.5					
11	2	414548	CAPSCREW-1/2-13NCX1 1/2,HXHD,G5					
12	2	414595	CAPSCREW-1/2-13NC x 3-1/2 LONG, HX SOC HD, GR8	X				
13	8	414669	CAPSCREW-5/8-11NCX2 1/4LG HXHD,GR-5					
14	2	414948	CAPSCREW-1/2-13NCX1 1/4LG,SOCKET HD					
15	2	418069	NUT-1/2-13NC HEX REG					
16	16	418080	NUT-5/8-11NC REG HEX					
17	4	418184	WASHER-3/8ID X5/8 ODX1/16					
18	16	418237	LOCKWASHER-5/8 MED SECTION					
19	4	418555	SHOULDER BOLT-1/2 X 1-1/4					
20	8	420048	CAPSCREW-5/8-11NC X 2.75 LG, HX HD,GR5					
21	1	426061	CYLINDER-PISTON					
22	1	426062	PISTON-CLUTCH					
23	1	432018	FITTING, 7/16-20 90 degree					
24	1	432041	FITTING-AIR,PUSH IN					
25	1	438044	BRAKE-MODULAR	X				
26	1	456008	RELIEF FIT-1/8-27PFT,BALL CHECK					
27	1	458126	MOTOR-HYDRAULIC					
28	1	462013	QUAD-RING-2 7/8ODX2 1/2IDX3/16			X		
29	1	462050	QUAD-RING-MINN RUBBER			X		
30	2	462110	O'RING- 7.734 ID X 8.012 OD X .139 THK		X	X		
31	1	468004	REDUCER-1/2-1/8NPTF,HEX					
32	4	470156	THREADED TAPER PIN		X			
33	4	474252	SPACER-TIE PLATE					
34	1	474270	PLATE-TIE, TENSIONER MTG					
35	1	474271	PLATE-TIE, WITH LOGO					
36	1	490067	RING-RETAINING		X			

# Kits and Maintenance Parts

128903

Item#	QTY.	PART NUMBER	DESCRIPTION	KITS				
				207033	222080	246067	248059	283091
37	1	490072	RING-RETAINING, EXTERNAL					
38	2	494002	SPRING-QQ-W-428					
39	7	494140	SPRING-HDP40-50		X			
40	1	509138	HOSE -4 -4 STRAIGHT 37DEG FLARE 11.3 LENGTH					
41	1	516061	VALVE,MTR CONTROL					
42	2	530094	SPACER-BRK DISC,20GAX7/8 D					
43	1	530177	GEARBOX					
44	1	416059	SETSCREW3/8-16NCX1/2 HX SOCK HD CUP					
45	1	342081	KEY-RD ENDS,5/16X5/16X1.5LG	X				
46	1	462052	O-RING- 3 7/8 ID			X		
47	1	462054	O-RING-3/16X3IDX3 3/8OD			X		
48	1	412092	BUSHING-DRUM,GEAR HSG.END				X	
49	1	412188	BUSHING-DRUM, MOTOR END				X	
50	1	470089	ROLL PIN					X

**RAMSEY WINCH INDUSTRIAL WINCH  
LIMITED WARRANTY**

**1.1 Scope of Warranty Coverage.** Upon the terms and subject to the conditions set forth in this limited warranty:

- (a) RAMSEY WINCH (referred to herein as “**RAMSEY WINCH**” or the “**Manufacturer**”) warrants to each initial end user customer (a “**Purchaser**”) of a new industrial winch together with any accessories manufactured and sold directly from RAMSEY WINCH (the “**Product**”) that the Product shall be free from defects in material and workmanship, under normal working and service conditions, for a period of eighteen (18) months from the date the Product is shipped from RAMSEY WINCH. (the “**Warranty Term**”). A Purchaser shall be eligible for an additional eighteen (18) months of coverage in addition to the Warranty Term (also referred to as the “**Standard (+) PLUS benefit**”) only if the Purchaser (i) complies with Section 1.2(a) and (ii) registers the Product during the Warranty Term at [myproduct.ramseywinch.com](http://myproduct.ramseywinch.com).
- (b) Notwithstanding the foregoing, this warranty does not cover components damaged by accident, abuse, misuse, neglect, untrained operators, collision, overloading, modification, disassembly, rework, misapplication, improper installation, lack of lubrication or maintenance, or improper service. This warranty does not cover the paint or material finish, rope (wire or synthetic), removal or reinstallation of the winch, or normal wear and tear and loss of functionality due to aging of the Product (which may include but is not limited to bearings, bushings, seals, O-rings, gaskets, brake material, motor brushes, electrical cables and more).

**1.2 Eligibility of Warranty Coverage.**

- (a) A Purchaser shall be eligible for warranty coverage under this Limited Warranty during the Warranty Term only if:
  - (i) Prior to placing a Product in service, and throughout use of the Product during the Warranty Term, the Purchaser provides (or causes to be provided) proper storage such that foreign objects (e.g. rain or debris) cannot enter any Product through entry ports which are normally closed during operation.; and
  - (ii) The Purchaser maintains, or causes to be maintained, the Product according to commercially reasonable standards and utilizes the Product for the purposes for which it was created; and
  - (iii) No repairs or alterations have been made by any party other than RAMSEY WINCH, including Purchaser, unless otherwise authorized in writing by RAMSEY WINCH.

**1.3 Transferability of Warranty.**

- (a) This warranty is transferable only from the Purchaser to the first subsequent transferee (the “**Transferee**”) of the Product from Purchaser upon (i) written notification to RAMSEY WINCH and (ii) registration of the transfer, both within 30 days of such Product transfer.
- (b) Upon satisfaction of transfer requirements set forth in Section 1.3(a), the Transferee shall succeed to all the rights and obligations of the Purchaser set forth in this Limited Warranty.

**1.4 Certain Limitations on Scope of Warranty Service.**

- (a) Any obligation of RAMSEY WINCH under this warranty, statutory or otherwise, is limited to the repair of the Product, at its factory or Authorized Service Centers. Notwithstanding the foregoing, if field service or repair is performed by RAMSEY WINCH at the request of the Purchaser and no defect is found with material or workmanship of the Product, the Purchaser shall compensate RAMSEY WINCH for its time and expenses within thirty (30) days of delivery of an invoice relating to the same. If repair is determined by RAMSEY WINCH in its sole, absolute and uncontrolled discretion to be impossible or impractical, then RAMSEY WINCH may satisfy this warranty by replacing the Product. RAMSEY WINCH will not provide any cash payment or credits for defective materials or workmanship.

- (b) Purchaser shall be responsible for any and all freight charges for any Product receiving warranty service under this limited warranty. Any travel time, transportation charges, freight charges, or similar costs incurred by RAMSEY WINCH in connection with the replacement or repair of defective parts, shall, be the responsibility of the Purchaser. If applicable, RAMSEY WINCH shall invoice Purchaser for the total amount of such charges within sixty (60) days of fulfilling its duties under this warranty, payable within thirty (30) days of delivery of such invoice. In no event shall RAMSEY WINCH be liable for bills for service, labor or other expenses that have been incurred by the Purchaser without approval or prior authorization by RAMSEY WINCH for inspection, maintenance, or repair of the Product.
- (c) If a Product is found to be operable upon inspection, the Product, at Purchaser's election, may be either (1) returned to the Purchaser with a service charge from RAMSEY WINCH for inspection, cleaning, and routine replacement of all rubber components and any other parts that show wear; or (2) RAMSEY WINCH can dispose of the product safely.

1.5 **Limitations of Liability.** RAMSEY WINCH shall in no event be liable for punitive, special or consequential damages relating to the Product or this Warranty. RAMSEY WINCH makes no warranty in respect to third-party accessories, upgrades, or additions to the Product.

1.6 **Improving Product.** RAMSEY WINCH reserves the right to improve the Product through changes in design or materials as it may deem desirable or necessary without being obligated to incorporate, upgrade, or otherwise modify previously manufactured products.

1.7 **Limitations of Warranty.**

- (a) THE WARRANTY SET FORTH ABOVE IS THE ONLY EXPRESS WARRANTY. RAMSEY WINCH HEREBY DISCLAIMS AND EXCLUDES ANY OTHER EXPRESS, IMPLIED, OR STATUTORY WARRANTIES, ARISING BY OPERATION OF LAW, COURSE OF DEALING, COURSE OF PERFORMANCE, USAGE, OF TRADE, OR OTHERWISE, INCLUDING, WITHOUT LIMITATION, ANY WARRANTIES OF MERCHANTABILITY, FITNESS FOR A PARTICULAR PURPOSE, AND INTELLECTUAL PROPERTY RIGHTS OF A THIRD PARTY.
- (b) ANY IMPLIED WARRANTY WHICH BY LAW MAY NOT BE EXCLUDED IS LIMITED IN DURATION TO ONE (1) YEAR FROM THE DATE OF ORIGINAL RETAIL PURCHASE OF THE PRODUCT.
- (c) This warranty gives you specific legal rights, and you may also have other rights which vary from jurisdiction to jurisdiction.
- (d) This warranty is valid only in the U.S.A. and Canada. For warranty outside the U.S.A. and Canada contact your nearest Ramsey Winch Distributor.

1.8 **No Modifications to Warranty.** No RAMSEY WINCH dealer, distributor, agent or employee is authorized to make any modification, extension or addition to this warranty.

1.9 **How to Apply for Warranty Coverage.**

All claims are handled by contacting your nearest Ramsey Winch Distributor. For questions, please contact customer support: [rwcustomersupport@ramseyindustries.com](mailto:rwcustomersupport@ramseyindustries.com).

Visit [Dealer Locator - Ramsey Winch](#) for Ramsey Winch Distributor locations and contact information.

Additional warranty, service support, product information, and parts information can be found on [www.ramseywinch.com](http://www.ramseywinch.com).







