

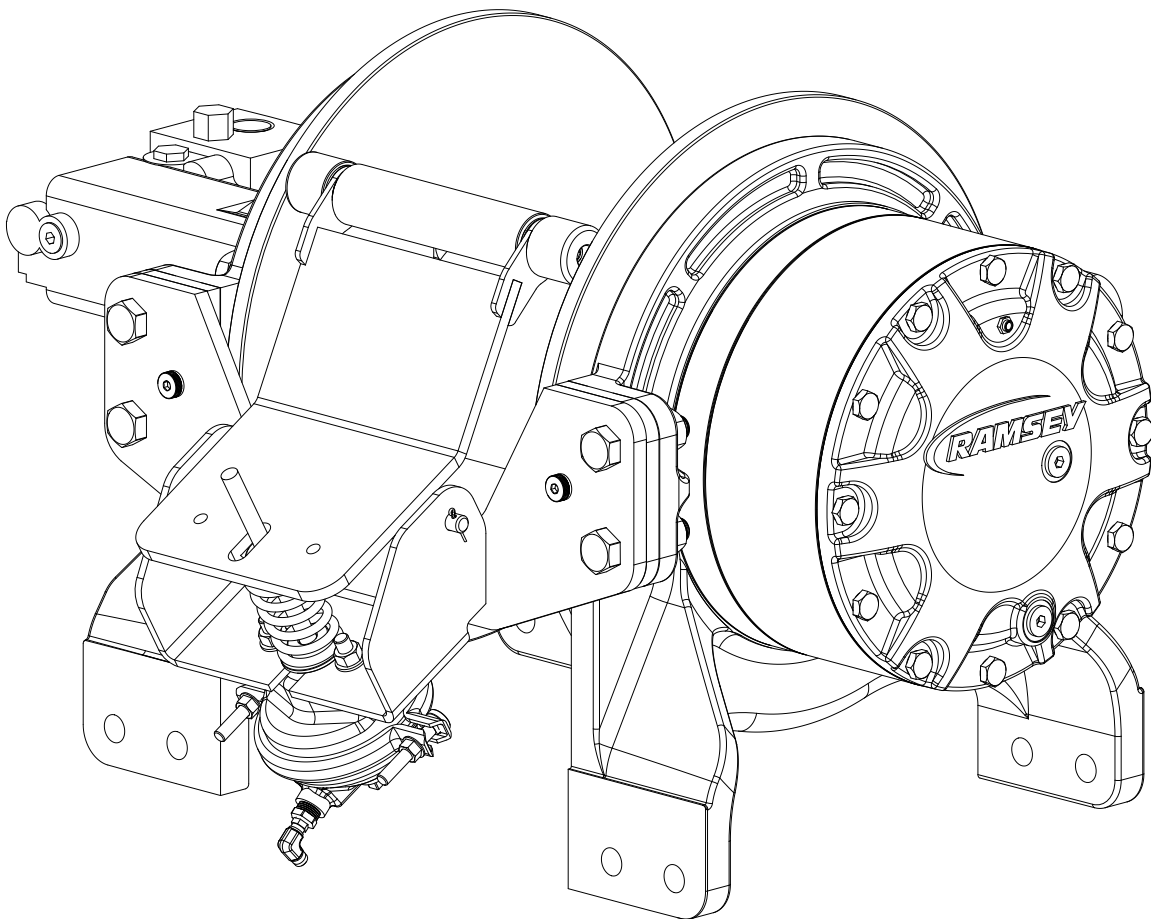


---

Operating/Service/Maintenance Manual

# Hercules 50K

OM 914280-0226-G



READ AND UNDERSTAND THIS MANUAL BEFORE INSTALLATION AND OPERATION OF WINCH. SEE WARNINGS.

---

Mailing Address:  
P.O. Box 581510  
Tulsa, OK 74158

Phone: (918) 438-2760  
Fax: (918) 438-6688  
[www.ramseyindustries.com](http://www.ramseyindustries.com)



# Table of Contents

---

SECTION		PAGE
1	Introduction .....	2
2	Hydraulic System Requirements .....	3
3	Winch Operation .....	4
	Clutch Operation .....	4
	Cable Installation .....	4
4	Synthetic Rope Installation .....	5
5	Rope Inspection Techniques .....	9
6	Maintenance .....	10
7	Instructions for Overhaul .....	11
8	Winch Mounting Configuration .....	16
	R.H. Mounting Configuration .....	16
	L.H. Mounting Configuration .....	16
9	R.H. Mount Dimensional View .....	17
10	L.H. Mount Dimensional View .....	18
11	Winch Exploded View .....	19
12	Drum Assembly .....	22
13	Cable Tensioner .....	23
14	Kits and Maintenance Parts .....	25

# 1 Introduction

---


## PLEASE READ THIS MANUAL CAREFULLY

This manual contains useful ideas in obtaining the most efficient operation from your Ramsey Winch, and safety procedures one needs to know before operating a Ramsey Winch. Do not operate this winch until you have carefully read and understand the "WARNINGS" and "OPERATION" sections of this manual.

## WARRANTY INFORMATION

Ramsey Winches are designed and built to exacting specifications. Great care and skill go into every winch we make. If the need should arise, warranty procedure is outlined on the back of your self-addressed postage paid warranty card. Please read and fill out the enclosed warranty card and send it to Ramsey Winch Company. If you have any problems with our winch, please follow instructions for prompt service on all warranty claims. Refer to back page for limited warranty.

SPECIFICATIONS *(LOW SPEED)							
RELATED LINE PULL (LBS.) .....		50,000					
(KGS.) .....		2,670					
GEAR REDUCTION .....		51.35:1					
WEIGHT (WITHOUT CABLE) .....		740 LBS. (336 KGS.)					
LAYER OF CABLE		1	2	3	4	5	6
RATED LINE PULL PER LAYER	LBS.	50,000	41,800	36,000	31,600	28,100	25,400
	KGS.	22,680	18,960	16,320	14,330	12,740	11,500
CABLE CAPACITY	FT.	25	60	100	145	190	250
	M.	7	18	30	44	57	76
LINE SPEED (AT 25GPM)	FPM	20	22	25	28	31	35
	MPM	5.6	6.6	7.6	8.6	9.5	10.5
* THESE SPECIFICATIONS ARE BASED ON RECOMMENDED WIRE ROPE OF .75" DIAMETER EIPS CABLE AND 11.9 CU. IN./REV. MOTOR AT 2900 PSI WORKING PRESSURE.							
* USE ONLY RAMSEY WINCH RECOMMENDED 3/4" SYNTHETIC ROPE.							
* DIRECTIONAL CONTROL VALVE: 3-POSITION, 4 WAY MOTOR SPOOL.							
* WINCH MEETS SAE J706.							

 **WARNING** Clutch must be totally engaged before starting the winching operation.  
Do not Start Winch motor before engaging clutch.  
Do not disengage clutch under load.

Stay out from under and away from raised loads.

Stand clear of cable while pulling. Do not try to guide cable.

Do not exceed maximum line pull ratings shown in table.

Do not use winch to lift, support, or otherwise transport people.

A minimum of 5 wraps of cable around drum barrel is necessary to hold the load.

Cable anchor is not designed to hold load.

Use only Ramsey Winch recommended 3/4" synthetic rope.

A minimum of 8 wraps of Ramsey Winch recommended synthetic rope is necessary to hold load.

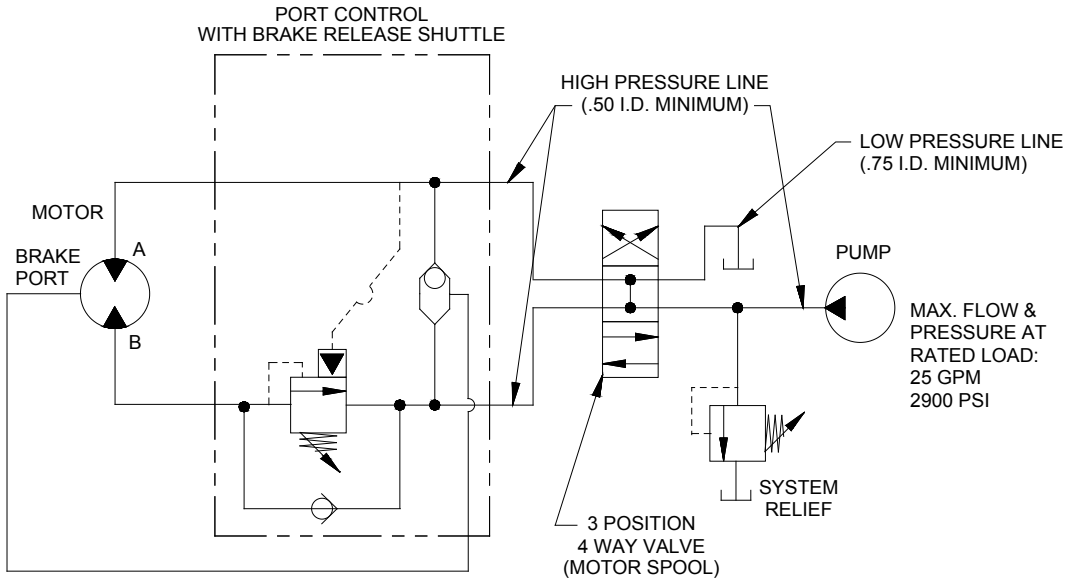
Cable anchor is not designed to hold load.

# Hydraulic System Requirements 2

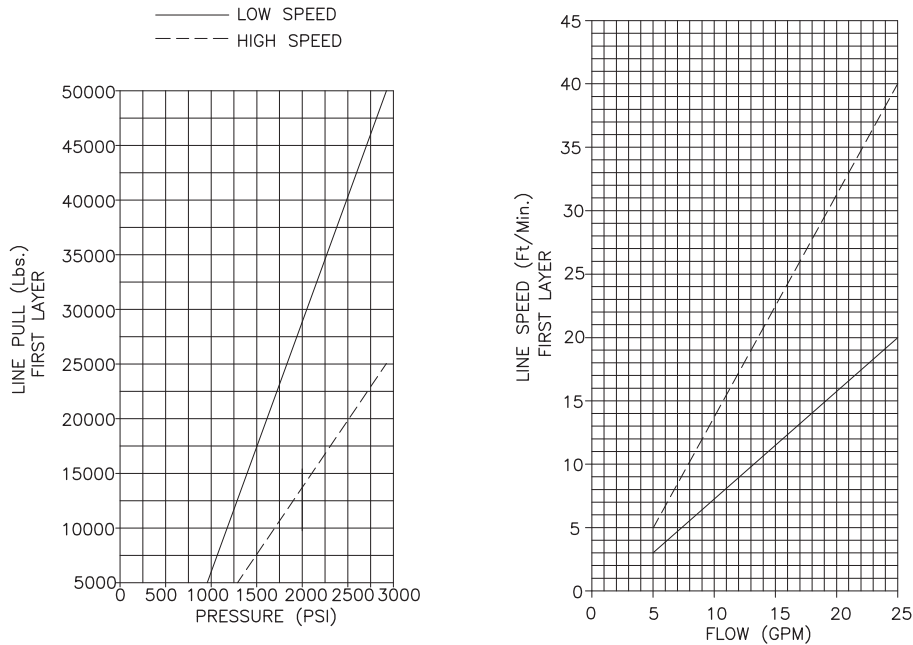
Refer to the performance charts to properly match your hydraulic system to Hercules 50K winch performance.

(1) Line pull (lbs.) first layer vs. working pressure (PSI) and (2) line speed (FPM) first layer vs. flow (GPM). Performance is based on a motor displacement of 11.9 cubic inches with 25 GPM maximum flow rate. See page 10 for motor port size.

## TYPICAL LAYOUT



PERFORMANCE WITH 11.9/5.95 IN<sup>3</sup> 2-SPEED HYDRAULIC MOTOR:



# 3 Winch Operation

---

The best way to get acquainted with how your winch operates is to make test runs before you use it. Plan your test in advance. Remember, you hear your winch, as well as see it operate. Learn to recognize the sounds of a light steady pull, a heavy pull, and sounds caused by load jerking or shifting. Gain confidence in operating your winch and its use will become second nature with you.

The uneven spooling of cable, while pulling a load, is not a problem, unless there is a cable pileup on one end of drum. If this happens, reverse the winch to relieve the load and move your anchor point further to the center of the vehicle. After the job is done you can unspool and rewind for a neat lay of the cable.

## CLUTCH OPERATION

### To engage clutch:

1. Move the clutch control valve to the "clutch engaged" position.
2. Anytime the temperature is below freezing, run the motor in the "cable out" direction only until the drum starts to turn. In extreme cold temperatures (below 0° F/-18° C), pull out on the cable by hand only until the drum starts to turn.
3. Wait at least 3 seconds for the clutch to fully engage, after which the winch is ready to winch in the cable.



### WARNING

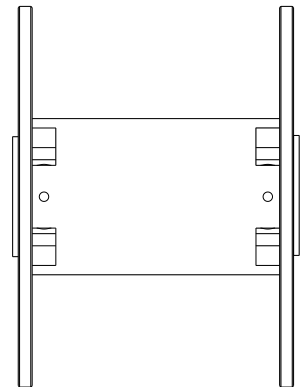
Do not attempt to engage the clutch by first running the winch motor and then moving the clutch control valve to the "clutch-engaged" position while the motor is running. Do not start picking up the load at the same time the clutch is being engaged.

**To disengage clutch:** Run the winch in the "cable out" direction until the load is off the cable.

4. Move the clutch control valve to the "clutch-disengaged" position.
5. The cable may now be pulled off by hand.

## CABLE INSTALLATION

1. This winch has a cable anchor located at each end of the drum which allows cable installation on either end.
2. Unwind cable by rolling it out along the ground to prevent kinking. Securely wrap end of wire rope opposite hook, with plastic or similar tape to prevent fraying.
3. Insert the end of cable, opposite hook end, into the hole in drum barrel. Secure cable to drum barrel, using setscrew furnished with winch. **TIGHTEN SETSCREW SECURELY.**
4. Carefully run the winch in the "reel-in" direction. Keeping tension on end of cable, spool all the cable onto the cable drum, taking care to form neatly wrapped layers.



## SYNTHETIC ROPE

### NOTICE

The roller tensioner must be removed to use synthetic rope.

1. Use only 12 strand (HMPE) high modulus polyurethane fiber coated synthetic rope, commonly known as Dyneema (MBS 58,000 lbs.). Maximum Winch capacity is 250 ft. of 3/4" rope.
2. Install and anchor synthetic rope as shown below.

# Synthetic Rope Installation 4

---

1. Tape the end of the rope with electrical tape 2"-3" from end as shown in picture. This will aid in installing the rope through the anchor hole.



2. Run rope through anchor hole. Pull approximately 60" of rope past anchor.



## 4 Synthetic Rope Installation

---

3. Spiral wrap rope around drum barrel, approximately 3 times, evenly spaced to second anchor hole.



4. Push rope into anchor hole until it is even with back side of hole.



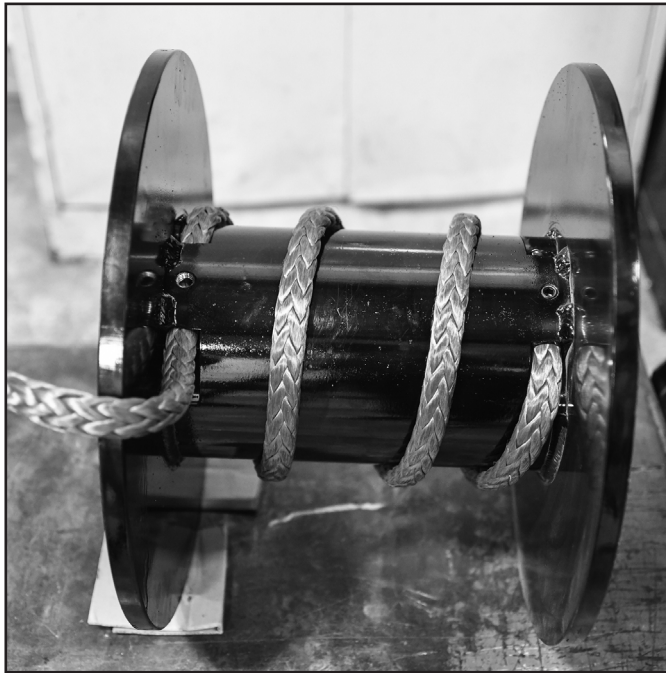
# Synthetic Rope Installation 4

---

5. Tighten anchor set screw until it is flush with drum barrel.



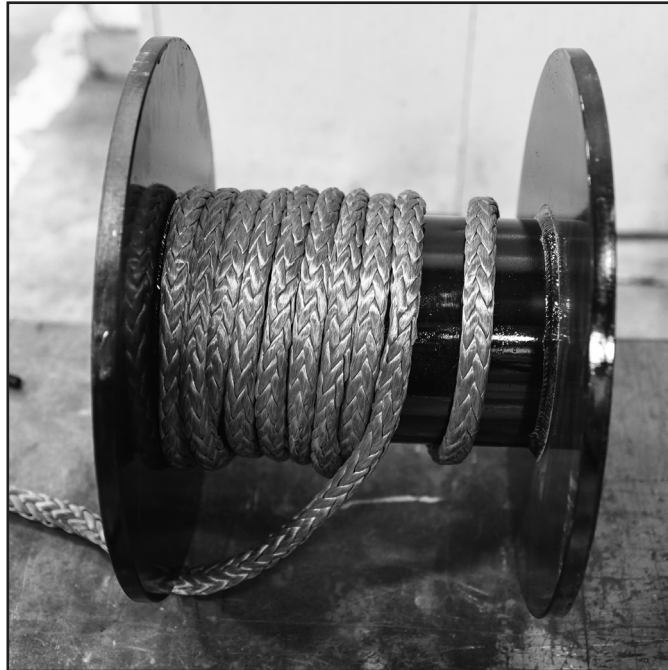
6. Pull excess slack from rope until rope is tight against drum barrel.



## 4 Synthetic Rope Installation

---

7. Wind rope onto drum (no load) for minimum of 8 wraps before applying load to install entire length of rope.



# Rope Inspection Techniques 5

INSPECTION	WHAT	CAUSE	CORRECTIVE ACTION:
<b>CUT STRANDS</b> REPAIR OR RETIRE	<ul style="list-style-type: none"> <li>TWO OR MORE CUT STRANDS IN PROXIMITY</li> </ul>	<ul style="list-style-type: none"> <li>ABRASION</li> <li>SHARP EDGES AND SURFACES</li> <li>CYCLIC TENSION WEAR</li> </ul>	IF POSSIBLE, REMOVE AFFECTED SECTION AND RESPLICE WITH A STANDARD END-FOR-END SPLICE. IF RESPLICING IS NOT POSSIBLE, RETIRE THE ROPE.
<b>COMPRESSION</b> NOT PERMANENT REPAIR	<ul style="list-style-type: none"> <li>VISIBLE SHEEN</li> <li>STIFFNESS REDUCED BY FLEXING THE ROPE</li> <li>NOT TO BE CONFUSED WITH MELTING</li> <li>OFTEN SEEN ON WINCH DRUMS</li> </ul>	<ul style="list-style-type: none"> <li>FIBER MOLDING ITSELF TO THE CONTACT SURFACE UNDER A RADIAL LOAD.</li> </ul>	FLEX THE ROPE TO REMOVE COMPRESSION.
<b>PULLED STRAND</b> NOT PERMANENT REPAIR	<ul style="list-style-type: none"> <li>STRAND PULLED AWAY FROM THE REST OF THE ROPE</li> <li>IS NOT CUT OR OTHERWISE DAMAGE</li> </ul>	<ul style="list-style-type: none"> <li>SNAGGING ON EQUIPMENT OR SURFACES</li> </ul>	WORK BACK INTO THE ROPE.
<b>MELTED OR GLAZED FIBER</b> REPAIR OR RETIRE	<ul style="list-style-type: none"> <li>FUSED FIBERS</li> <li>VISIBLY CHARRED AND MELTED FIBERS, YARNS, AND/OR STRANDS</li> <li>EXTREME STIFFNESS</li> <li>UNCHANGED BY FLEXING</li> </ul>	<ul style="list-style-type: none"> <li>EXPOSURE TO EXCESSIVE HEAT, SHOCK LOAD, OR A SUSTAINED HIGH LOAD</li> </ul>	IF POSSIBLE, REMOVE AFFECTED SECTION AND RESPLICE WITH A STANDARD END-FOR-END SPLICE. IF RESPLICING IS NOT POSSIBLE, RETIRE THE ROPE.
<b>DISCOLORATION/ DEGRADATION</b> REPAIR OR RETIRE	<ul style="list-style-type: none"> <li>FUSED FIBERS</li> <li>BRITTLE FIBERS</li> <li>STIFFNESS</li> </ul>	<ul style="list-style-type: none"> <li>CHEMICAL CONTAMINATION</li> </ul>	IF POSSIBLE, REMOVE AFFECTED SECTION AND RESPLICE WITH A STANDARD END-FOR-END SPLICE. IF RESPLICING IS NOT POSSIBLE, RETIRE THE ROPE.
<b>INCONSISTENT DIAMETER</b> REPAIR OR RETIRE	<ul style="list-style-type: none"> <li>FLAT AREAS</li> <li>LUMPS AND BUMP</li> </ul>	<ul style="list-style-type: none"> <li>SHOCK LOADING</li> <li>BROKEN INTERNAL STRAND</li> </ul>	IF POSSIBLE, REMOVE AFFECTED SECTION AND RESPLICE WITH A STANDARD END-FOR-END SPLICE. IF RESPLICING IS NOT POSSIBLE, RETIRE THE ROPE.
<b>ABRASION</b> REPAIR OR RETIRE	<ul style="list-style-type: none"> <li>BROKEN FILAMENTS AND YARNS</li> </ul>	<ul style="list-style-type: none"> <li>ABRASION</li> <li>SHARP EDGES AND SURFACES</li> <li>CYCLIC TENSION WEAR</li> </ul>	CONSULT ABRASION IMAGES* AND RATE INTERNAL/EXTERNAL ABRASION LEVEL OF ROPE. EVALUATE ROPE BASED ON ITS MOST DAMAGED SECTION.

Minimal strength loss (continue use)
  Significant strength loss (consult rope supplier)
  Severe strength loss (retire rope)



# 6 Maintenance

---

Adhering to the following maintenance schedule will keep your winch in top condition and performing as it should with a minimum of repair.

## Weekly

1. Check the oil level and maintain it to the oil level plug. If oil is leaking out, determine location and repair.
2. Check the pressure relief plug in the gear housing cover. Be sure that it is not plugged.
3. Lubricate cable with light oil.

## Monthly

1. Check the winch mounting bolts. If any are missing, replace them and securely tighten any that are loose. Use grade 5 or better bolts.
2. Inspect the cable. If the cable has become frayed with broken strands, replace immediately.
3. Inspect synthetic rope and follow inspection criteria.

## Annually

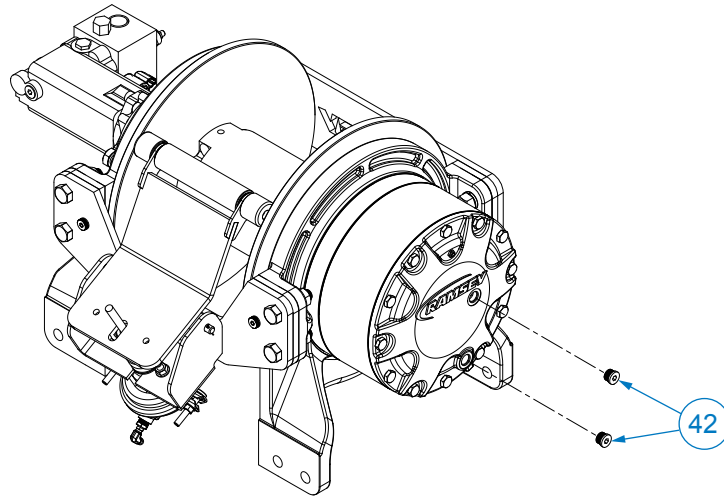
1. Drain the oil from the winch annually or more often if winch is used frequently.
2. Fill the winch to the oil level plug with clean kerosene. Run the winch a few seconds with no load in the reel in direction. Drain the kerosene from the winch.
3. Refill the winch to the oil level plug with all-purpose SAE 75W-90 synthetic gear oil.
4. Inspect frame and surrounding structure for cracks or deformation.

TROUBLESHOOTING GUIDE		
CONDITIONS	POSSIBLE CAUSE	CORRECTION
OIL LEAKS FROM WINCH	1. SEALS DAMAGED OR WORN 2. TOO MUCH OIL 3. DAMAGED GASKETS	1. REPLACE SEAL 2. DRAIN EXCESS OIL. REFER TO OPERATION 3. REPLACE GASKETS
WINCH RUNS TOO SLOW	1. LOW FLOW RATE 2. HYDRAULIC MOTOR WORN OUT	1. CHECK FLOW RATE. REFER TO HYDRAULIC SYSTEMS PERFORMANCE CHART PAGE 2. 2. REPLACE MOTOR
CABLE DRUM WILL NOT FREE-SPOOL	1. CLUTCH NOT DISENGAGED	1. CHECK AIR PRESSURE TO CLUTCH CYLINDER: 100 PSI MINIMUM REQUIRED. REFER TO PAGE 15 FOR PORT LOCATION.
BRAKE WILL NOT RELEASE	1. BRAKE LINE DISCONNECTED OR BLOCKED	1. CHECK BRAKE FUNCTION

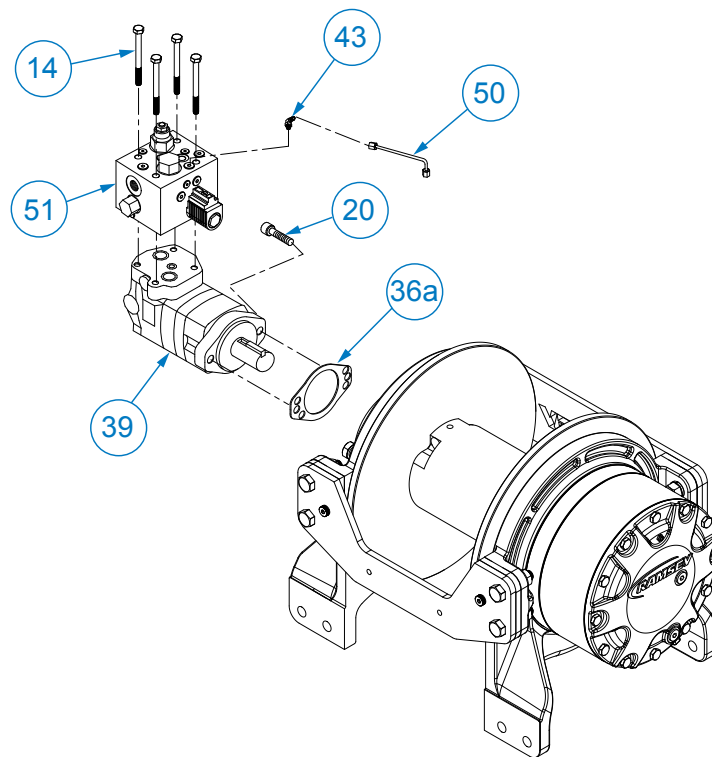
# Instructions for Overhaul 7

## Disassembly

1. Drain oil from gear housing cover by removing o-ring plugs #42. Remove tensioner assembly.



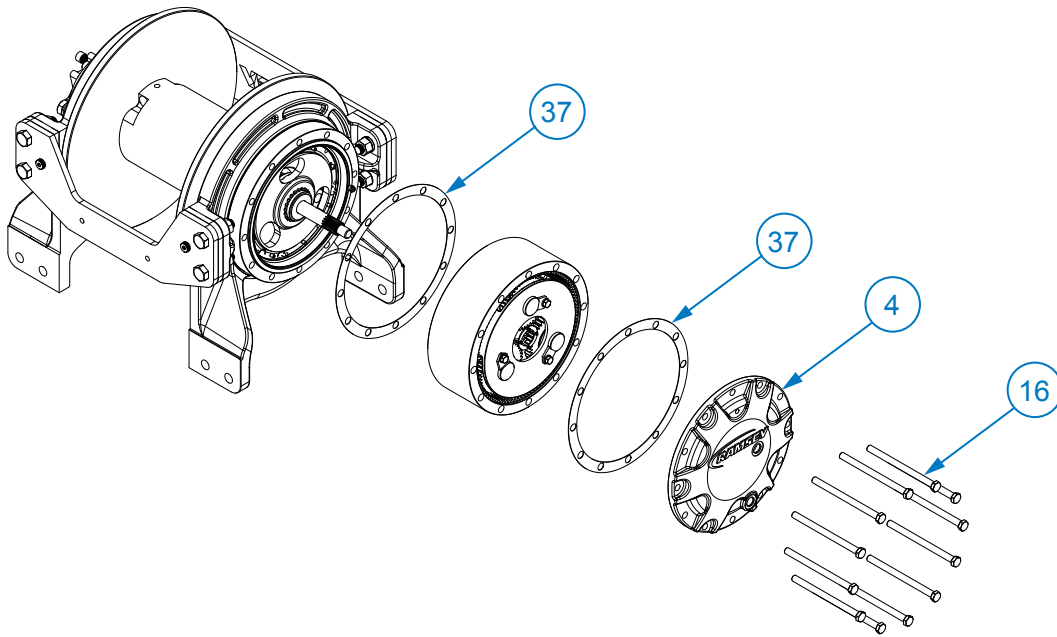
2. Disconnect hose #50 from elbow #43 on valve #51 and fitting #29 on brake #36. Remove motor #39 and gasket #36a by removing (2) capscrews #20. Remove valve #51, if needed, from motor by loosening (4) capscrews #14.



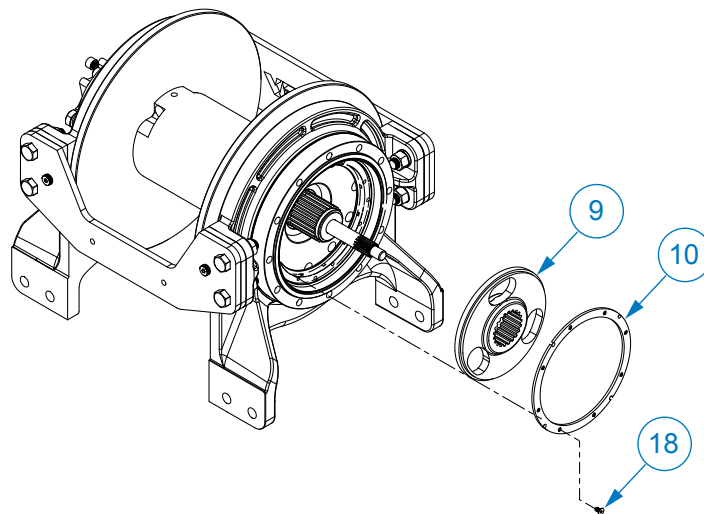
# 7 Instructions for Overhaul

---

3. Remove (12) capscrews #16 to remove gear housing cover and gasket from ring gear. Remove input thrust washer, sun gear and input carrier assembly from inside ring gear. Remove ring gear and gasket. Remove output carrier assembly. Replace if damaged or excessive wear.

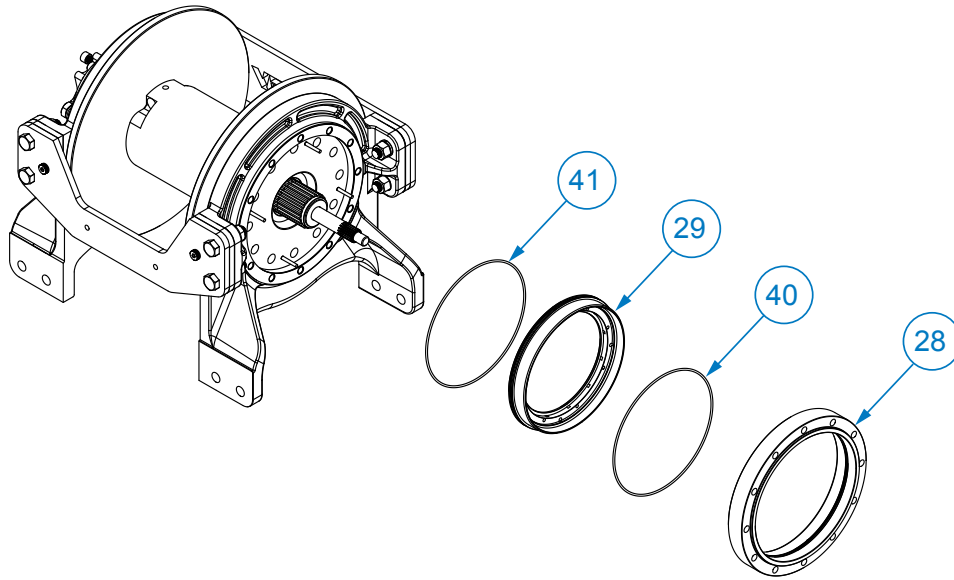


4. Remove (8) capscrews #18 to remove clutch retainer plate #10 from clutch piston #9. Remove clutch #9.

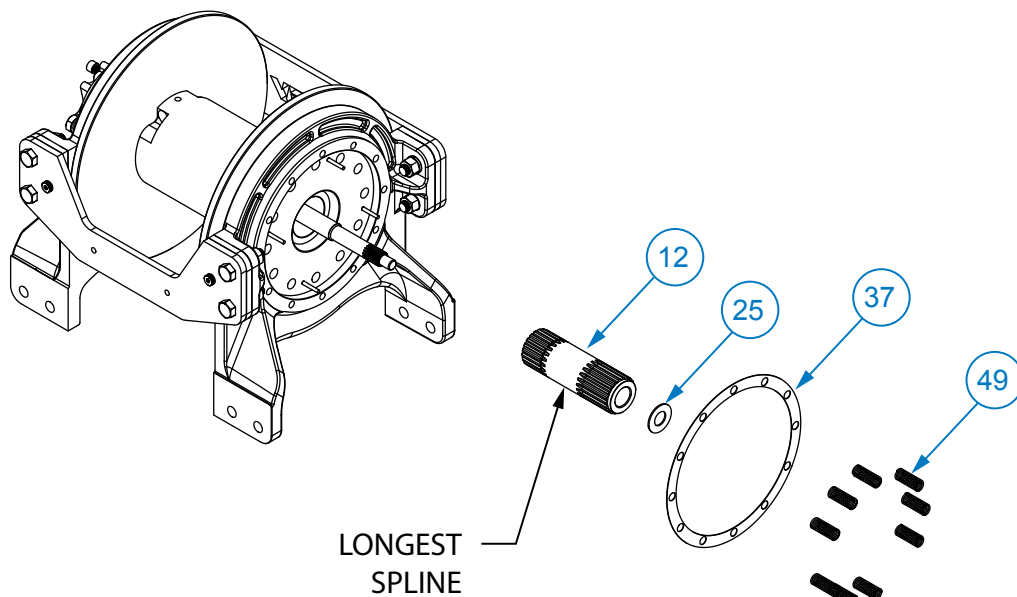


# Instructions for Overhaul 7

5. Remove clutch housing #28 with piston #29 inside. To remove piston from clutch housing apply air to 1/8" port. Remove o-rings #40 and #41 and inspect for damage or wear.

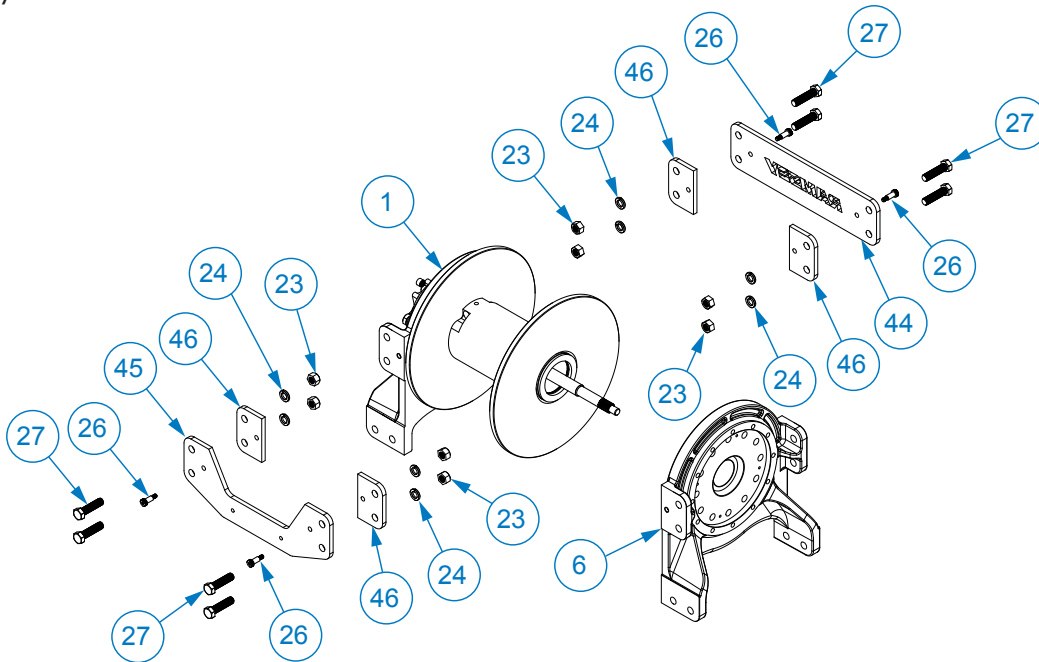


6. Remove (9) springs #49, thrust washer #25, gasket #37, output shaft #12 from gear end bearing. Replace if damaged or excessive wear.

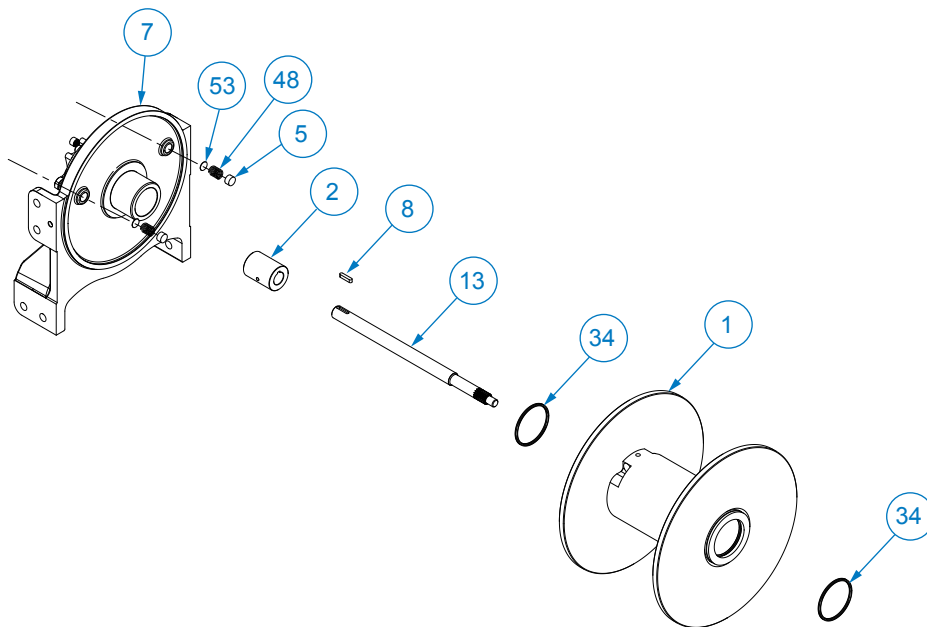


# 7 Instructions for Overhaul

7. Remove winch tie bars #45, #44, and (4) spacers #46 by removing (8) capscrews #27, (8) lock washers # 24, (8) nuts #23, and (4) shoulder bolts #26. Pull gear end bearing #6 from drum assembly #1.

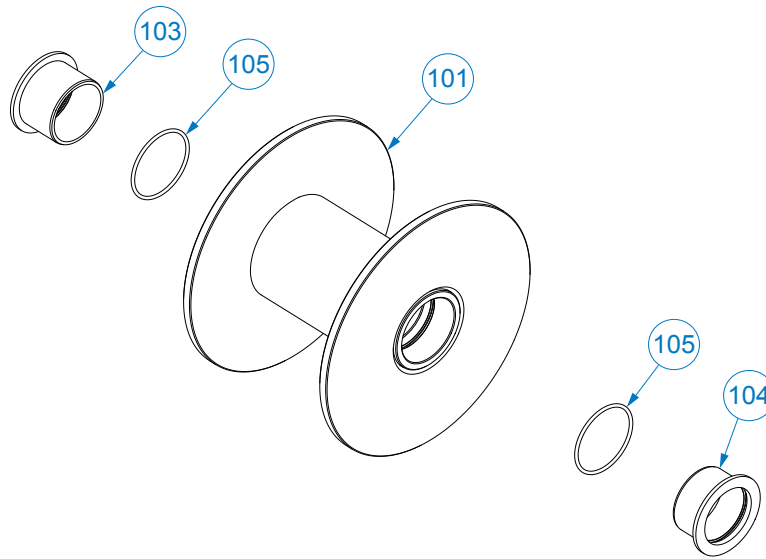


8. Pull drum assembly #1 from end bearing #7. Remove quad-rings #34 from grooves in drum bushings. Remove input shaft #13 from end bearing. Examine splined ends of input shaft for signs of wear, replace if damaged. Examine drum assembly #1 for signs of wear.

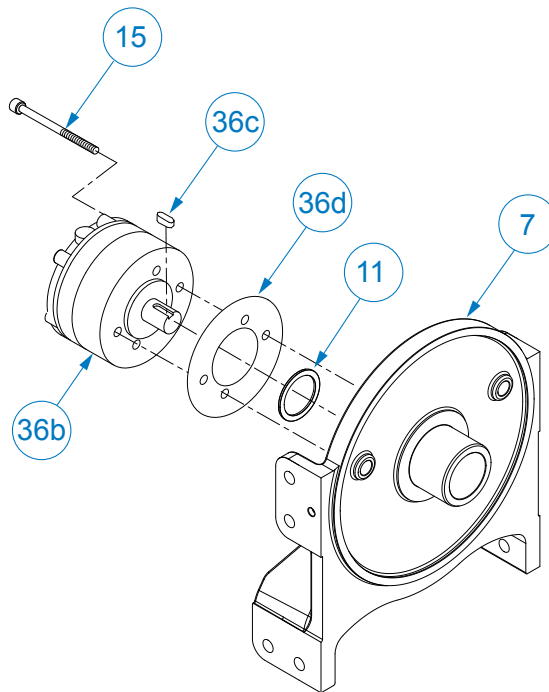


# Instructions for Overhaul 7

9. If splines inside drum are damaged, drum must be replaced. If bushings show signs of wear, replace by pressing old bushings from drum #101 and removing o-rings from grooves in drum. Place well oiled o-rings #106 into drum. Press bushings #104 into drum until flange is flush and #103 is flush against drum.



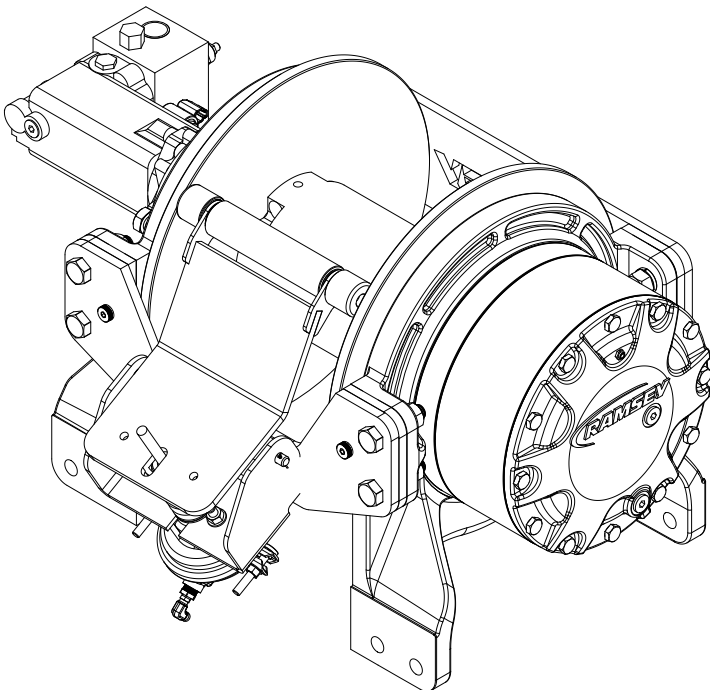
10. Remove brake assembly screws #15 attaching brake #36b to end bearing #7. Remove gasket #36d from end bearing. Take note of mounting configuration for proper mounting of parts during re-assembly.



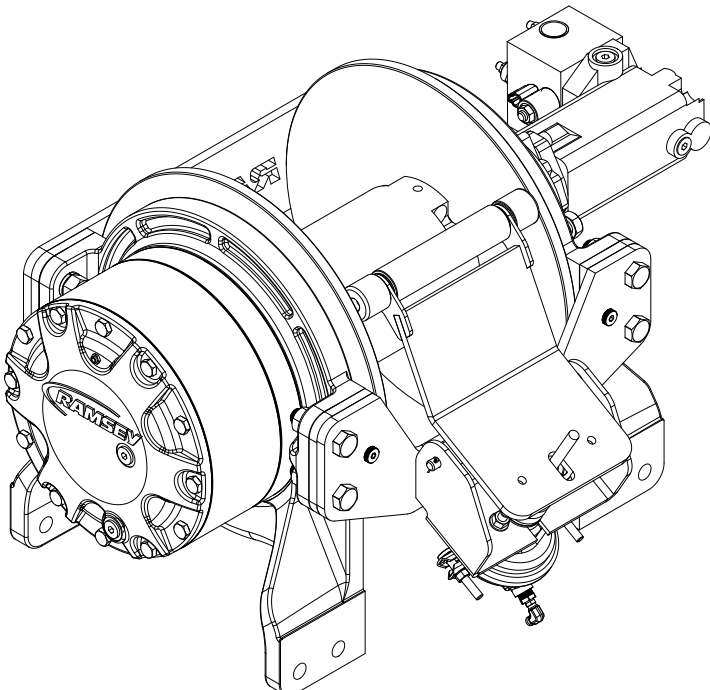
# 8 Winch Mounting Configuration

---

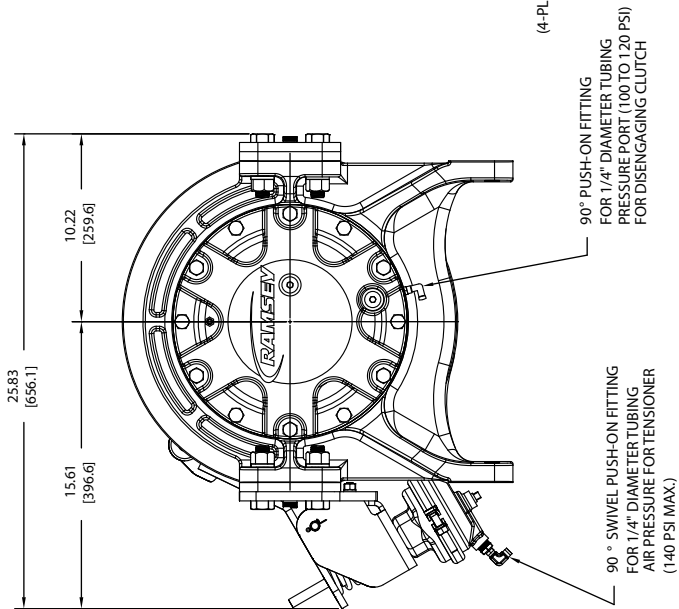
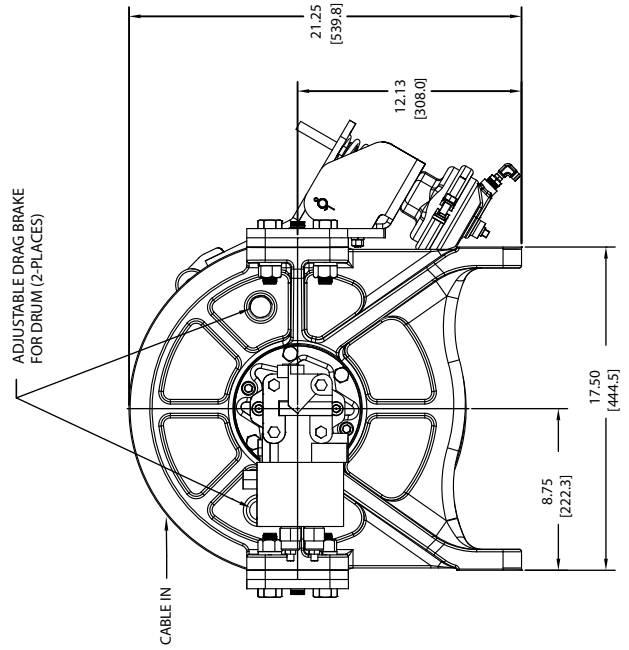
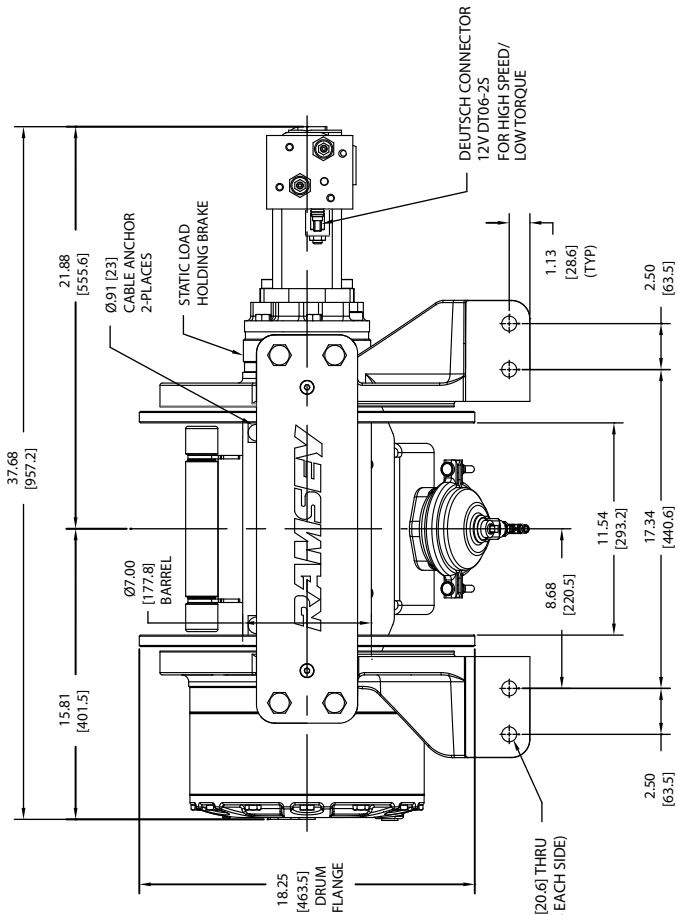
R.H. MOUNTING CONFIGURATION



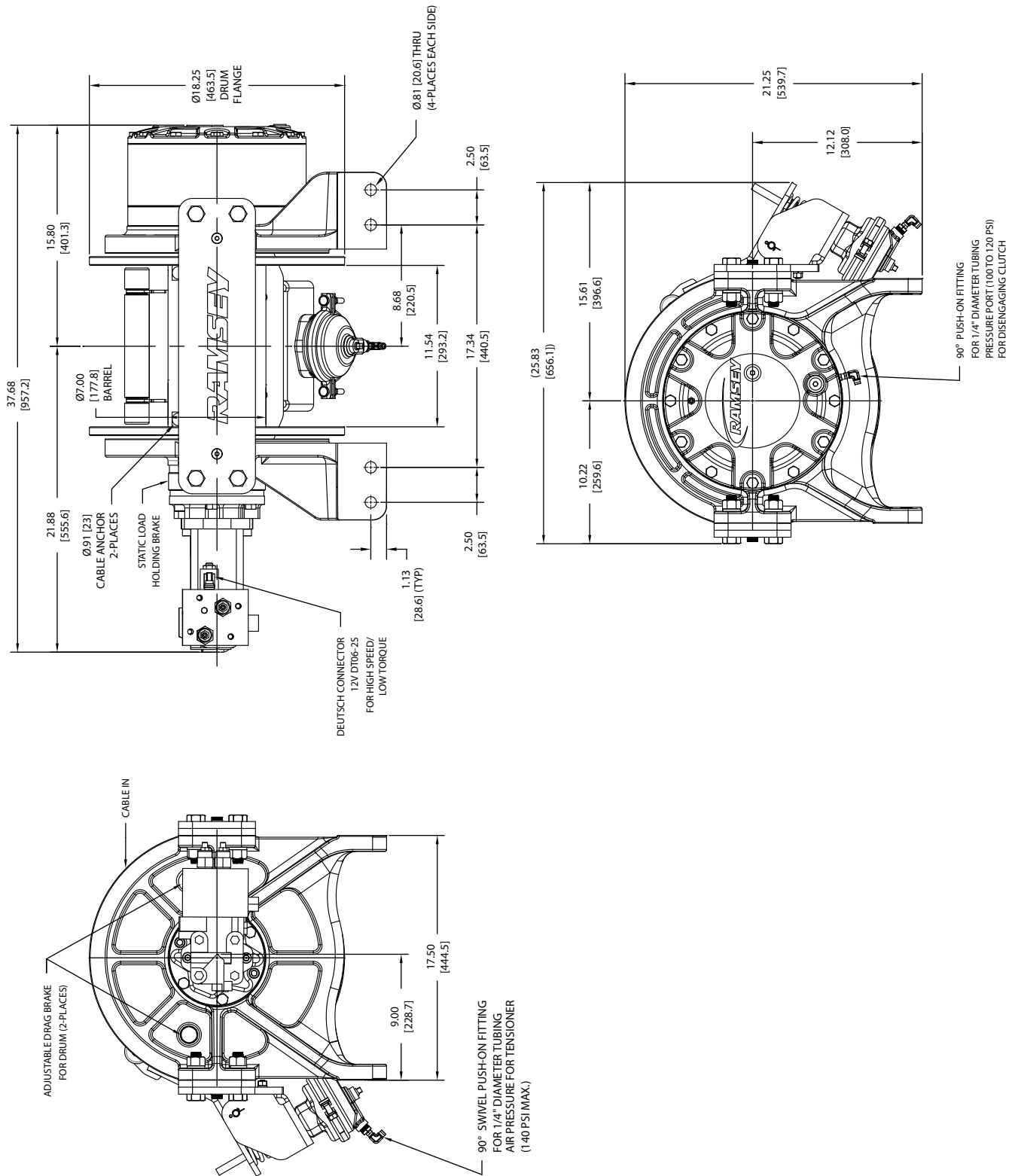
L.H. MOUNTING CONFIGURATION



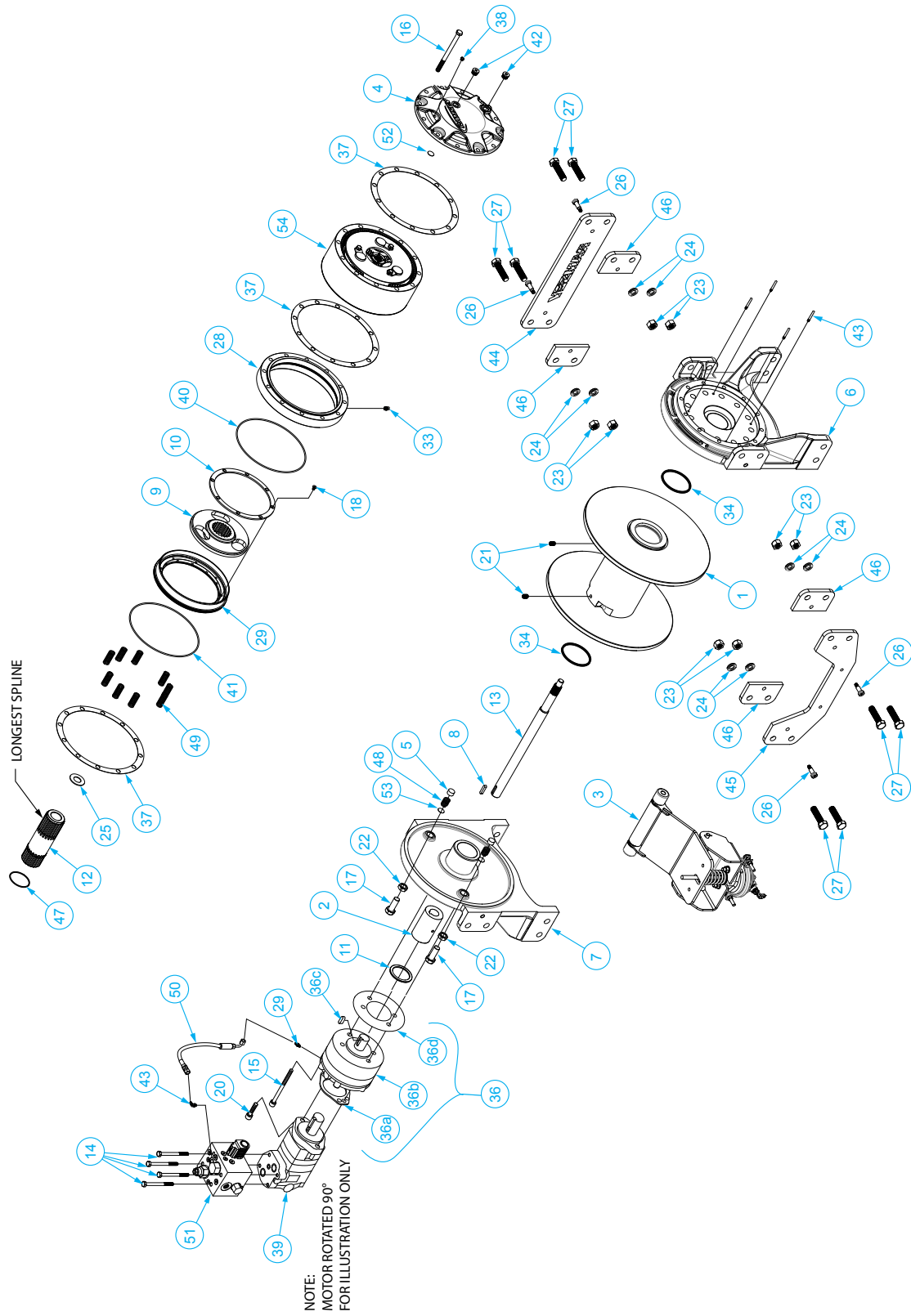
# R.H. Mount Dimensional View 9



# 10 L.H. Mount Dimensional View



# Winch Exploded View 11



# 11 Winch Exploded View

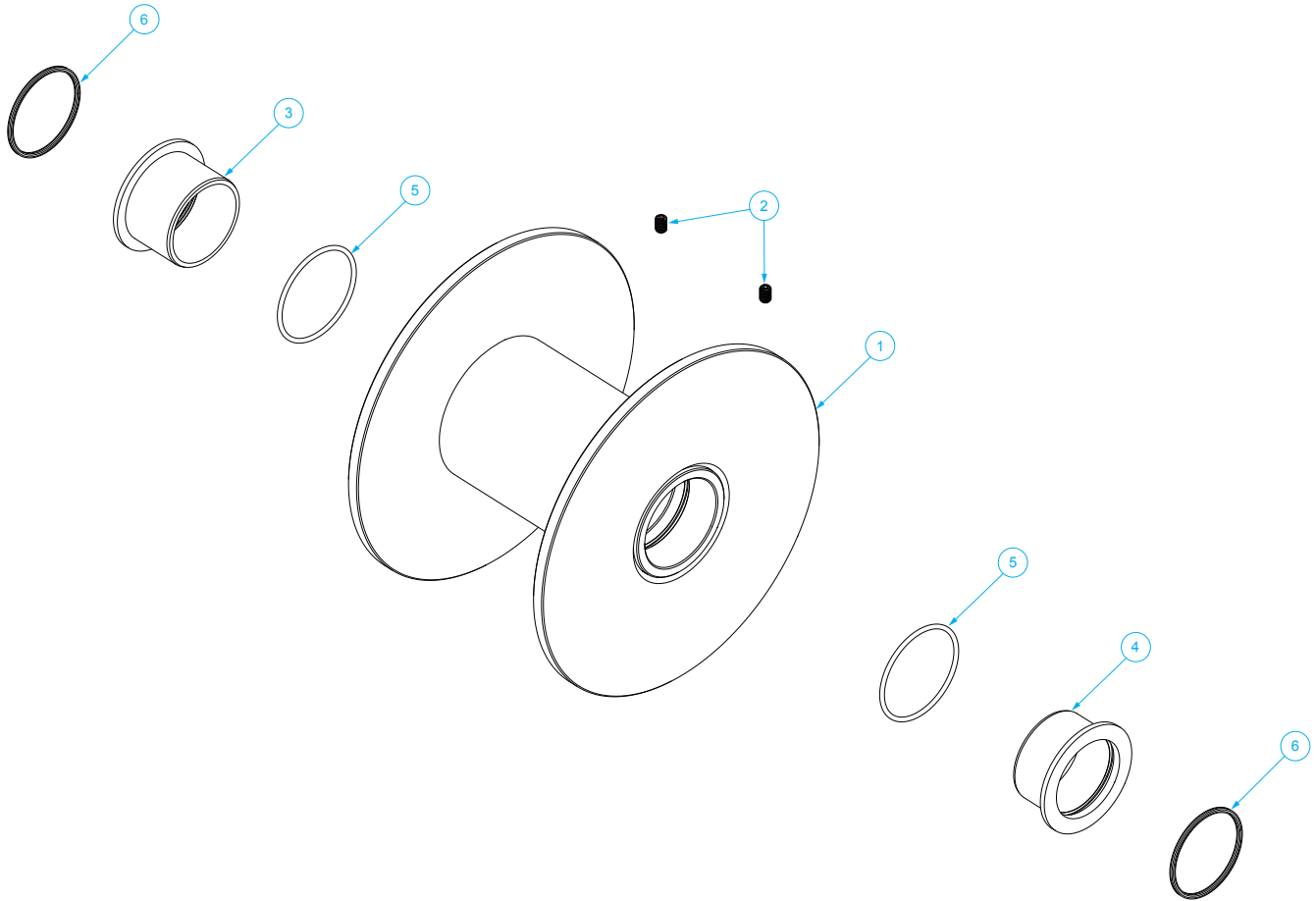
ITEM NO.	QTY	PART NO.	DESCRIPTION
1	1	234263	ASSEMBLY-DRUM, FABRICATED, HERC 50K
2	1	299733	ASSEMBLY-MOTOR COUPLING, H700 & H800
3	1	299777	ASSEMBLY-SPECIAL MOUNTED AIR ROLLER TENSIONER, HERC 50K
4	1	328184	COVER GEAR HOUSING MACHINED HDP 40/50
5	2	330015	PUCK-DRUM DRAG FREESPOOL
6	1	338459	GEAR END BEARING-MACHINED, HERC 50K
7	1	338460	MOTOR END BEARING-MACHINED, HERC 50K
8	2	342081	KEY-RD ENDS,5/16 X 5/16 X 1.5 LG, HT, PURC
9	1	342517	CLUTCH HDP40-50
10	1	352035	RING-RETAINING CLUTCH HDP40-50
11	1	352036	PLATE RETAINER, AUSCO
12	1	357543	COUPLING-OUTPUT HDP40-50
13	1	357546	SHAFT-INPUT HDP40-50
14	4	414400	CAPSCREW 3/8-24 NF X 4 LG, HX HD, GR-5
15	2	414595	CAPSCREW 1/2-13 NC X 3-1/2 LONG, HX SOC HD, GR8, BLACK OXIDE FINISH
16	12	414612	CAPSCREW 1/2-13 NC X 7 GR5, PLTD
17	2	414772	CAPSCREW 3/4-16 NF X 2LG HX HD GRADE 5
18	8	414819	BOLT 1/4-20 NC X 1/2, FLAT SOCHD, ND STP
19			N/A
20	2	414948	CAPSCREW 1/2-13 NC X 1-1/4 LG, SOCKET HD
21	2	416072	SETSCREW 1/2-13 NC X 3/4 LG HX SOC HD CUP
22	2	418098	NUT 3/4-16 NF HEX JAM
23	8	418099	NUT 3/4-10 NC HEX REG, ZINC PLATED
24	8	418249	LOCKWASHER 3/4 ID MED SECT,ZINC PLT
25	1	418520	WASHER-THRUST HDP40-50
26	4	418555	SHOULDER BOLT 1/2 X 1-1/4, Z/P
27	8	420030	CAPSCREW 3/4-10 UNC X 3 LG, HX HD, GR-8, Z/P
28	1	426059	CYLINDER-CLUTCH HDP40-50
29	1	426060	PISTON-CLUTCH HDP40-50
30	1	432023	FITTING 7/16-20, PARKER #0503-4-4/EQ
31			
32			
33	1	432041	FITTING-AIR, PUSH-ON 90 DEG. QUICK CONNECT
34			N/A
35			N/A
36	1	438044	BRAKE ASSEMBLY
36a	1		MOTOR AND GASKET
36b	1		BRAKE
36c	1		KEY
36d	1		ADAPTER PLATE GASKET
37	3	442210	GASKET-GEAR BX, #14-01-045-001, IPH45
38	1	456008	RELIEF FIT 1/8-27 PFT, BALL CHECK, Z/P
39	1	458126	MOTOR-HYDRAULIC, TWO SPD 2000 SERIES 11.9 CU IN DISPLACEMENT RPH35000 CL#193-0014-001
40	1	462103	O RING 2-274 MS-28775 LOW TEMP
41	1	462104	O RING 2-275 MS-28775 LOW TEMP
42	2	468041	PLUG 3/4-16 (-8 SAE) WITH O-RING, SOC HD

# Winch Exploded View 11

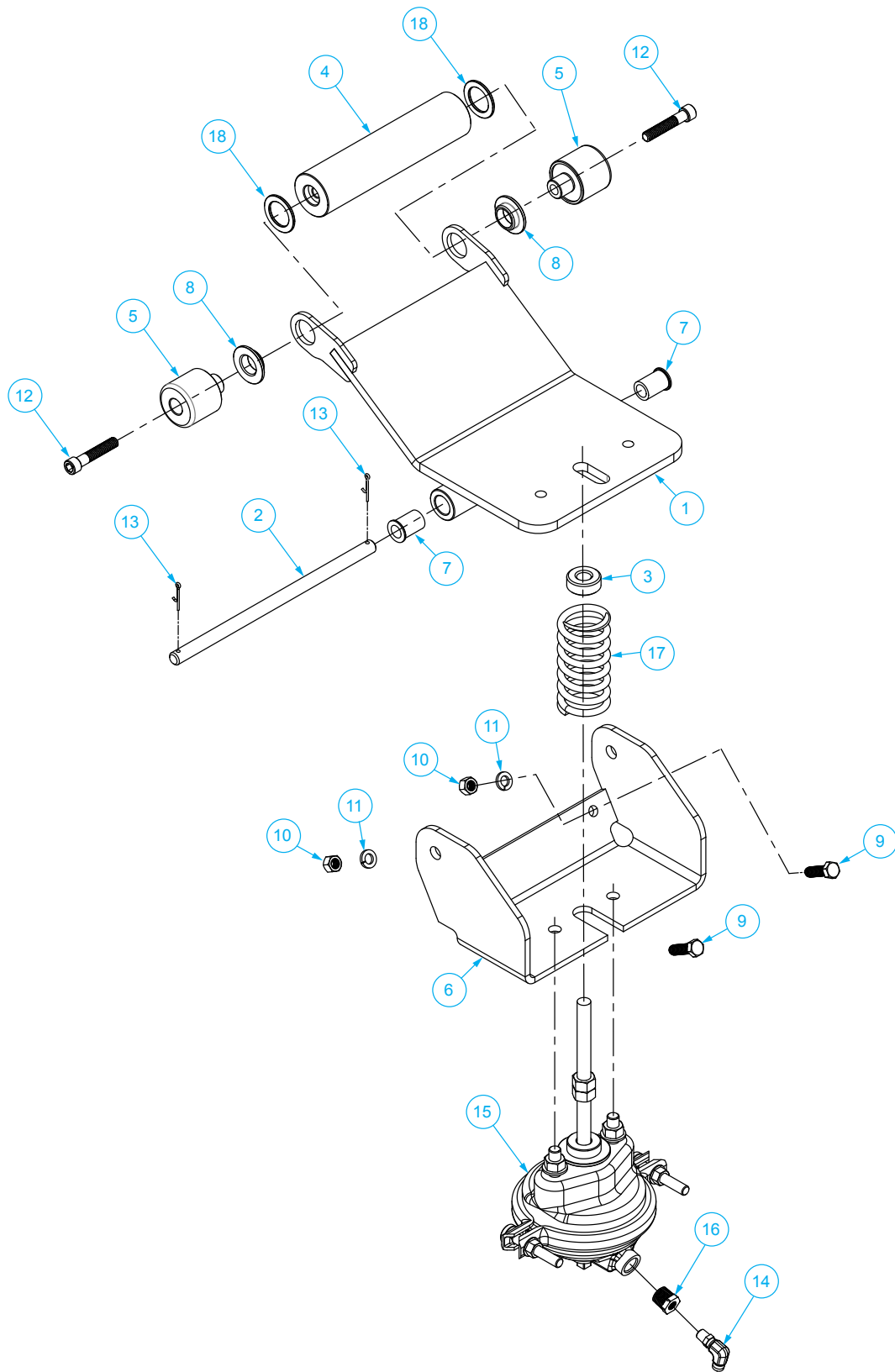
ITEM NO.	QTY	PART NO.	DESCRIPTION
43	4	470156	THREADED TAPER PIN
44	1	474244	TIE PLATE-HERC 50K, W/RAMSEY LOGO
45	1	474245	TIE PLATE-FOR SPECIAL MOUNTED TENSIONER, HERC 50K
46	4	474246	SPACER-TIE PLATE, HERC 50K
47	1	490072	RING-RETAINING, EXTERNAL
48	2	494002	SPRING-QQ-W-428 TYPE I MUSIC WIRE
49	9	494140	SPRING-HDP40-50, LEE SPRING # LC085J06
50	1	509139	HOSE 4-4 90 DEG 37 DEG FLARE - 13.39 INCH
51	1	516061	VALVE,MTR CONTROL HDP 50 DEUTSCH
52	1	518027	THRUST DISC-.035 X .922 DIA/ALL PLANET
53	2	530094	SPACER-BRK DISC, 20 GA X 7/8 D, W/438001
54	1	530173	GEARBOX ASSY

# 12 Drum Assembly

ITEM NO.	QTY	PART NO.	DESCRIPTION
1	1	234248	DRUM ASSEMBLY-FABRICATED, SHORT, HDP 50
2	2	416072	SET SCREW-1/2-13NCX3/4LG HXSOCHD CUP
3	1	412078	BUSHING-DRUM,SAE 660 BRZ,IPH-45000
4	1	412079	BUSHING-DRUM,SAE 660BRZ,4 3/8IDX3LG
5	2	462043	O-RING-AS-568-348,3/16X4 3/4X4 3/8
6	2	412040	QUAD RING



# Cable Tensioner 13



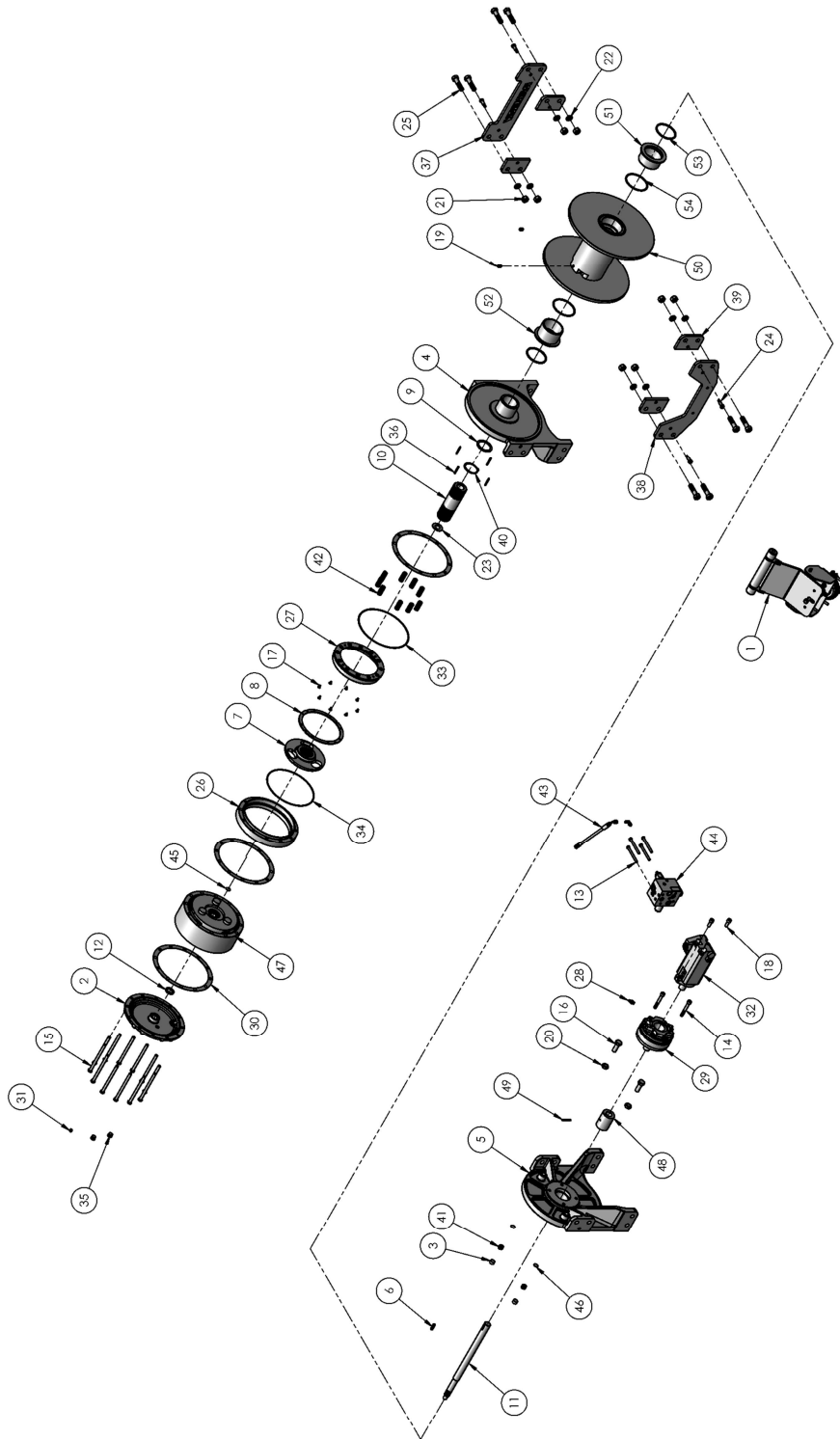
# 13 Cable Tensioner

---

ITEM NO.	QTY	PART NO.	DESCRIPTION
1	1	265129	WELDMENT-LEVER ARM
2	1	346046	PIN-PIVOT
3	1	352038	RETAINER
4	1	354066	ROLLER
5	2	354067	ROLLER-SHORT
6	1	408453	BRACKET
7	2	412108	BUSHING
8	2	412178	TENSIONER BUSHING
9	2	414316	CAPSCREW 3/8 X 1-1/4
10	2	418045	NUT-3/8
11	2	418177	LOCKWASHER-3/8
12	2	420031	CAPSCREW
13	2	424005	COTTER PIN
14	1	432041	FITTING-AIR
15	1	433036	AIR CYLINDER
16	1	468002	REDUCER BUSHING
17	1	494155	SPRING
18	2	518100	WASHER

# 14 KITS AND MAINTENANCE PARTS

127402



# KITS AND MAINTENANCE PARTS 14

**127402**

Item#	QTY.	PART NUMBER	DESCRIPTION	KITS					
				207033	222079	246068	246084	248060	283087
1	1	299777	ASSEMBLY-SPECIAL MOUNTED AIR ROLLER TENSIONER						
2	1	328211	COVER-GEARBOX						
3	2	330015	PUCK-DRUM DRAG FREESPOOL						
4	1	338459	GEAR END BEARING						
5	1	338460	MOTOR END BEARING						
6	2	342081	KEY-RD ENDS,5/16X5/16X1.5LG	X					X
7	1	342517	CLUTCH		X				
8	1	352035	RING-RETAINING CLUTCH HDP40-50		X				
9	1	352036	PLATE RETAINER						
10	1	357543	COUPLING-OUTPUT						
11	1	357546	SHAFT-INPUT						
12	1	362357	SPACER-COVER						
13	4	414400	CAPSCREW-3/8-24NF X4LG,HXHD,GR-5						
14	2	414595	CAPSCREW-1/2-13NC x 3-1/2 LONG, HX SOC HD, GR8	X					
15	12	414612	CAPSCREW-1/2-13NCX7 GR5						
16	2	414772	CAPSCREW-3/4-16NFX2LG HXHD GRADE 5						
17	8	414819	BOLT-1/4-20NCX1/2,FLAT SOCHD		X				
18	2	414948	CAPSCREW-1/2-13NCX1 1/4LG,SOCKET HD						
19	2	416072	SETSCREW-1/2-13NCX3/4LG HXSOCHD CUP						
20	2	418098	NUT-3/4-16NF HEX JAM						
21	8	418099	NUT-3/4-10NC HEX REG						
22	8	418249	LOCKWASHER-3/4 ID MED SECT						
23	1	418520	WASHER-THRUST					X	
24	4	418555	SHOULDER BOLT-1/2 X 1-1/4						
25	8	420030	CAPSCREW-3/4-10UNC X 3 LG, HX HD, GR-8						
26	1	426059	CYLINDER-CLUTCH						
27	1	426060	PISTON-CLUTCH		X				
28	1	432023	FITTING-7/16-20						
29	1	438044	BRAKE-MODULAR	X					
30	3	442210	GASKET-GEAR BX		X		X		
31	1	456008	RELIEF FIT-1/8-27PFT						
32	1	458126	MOTOR-HYDRAULIC						
33	1	462103	O RING		X	X			
34	1	462104	O RING		X	X			
35	2	468041	PLUG-3/4-16						
36	4	470156	THREADED TAPER PIN		X				
37	1	474244	TIE PLATE						
38	1	474245	TIE PLATE						
39	4	474246	SPACER-TIE PLATE						
40	1	490072	RING-RETAINING, EXTERNAL						

# 14 KITS AND MAINTENANCE PARTS

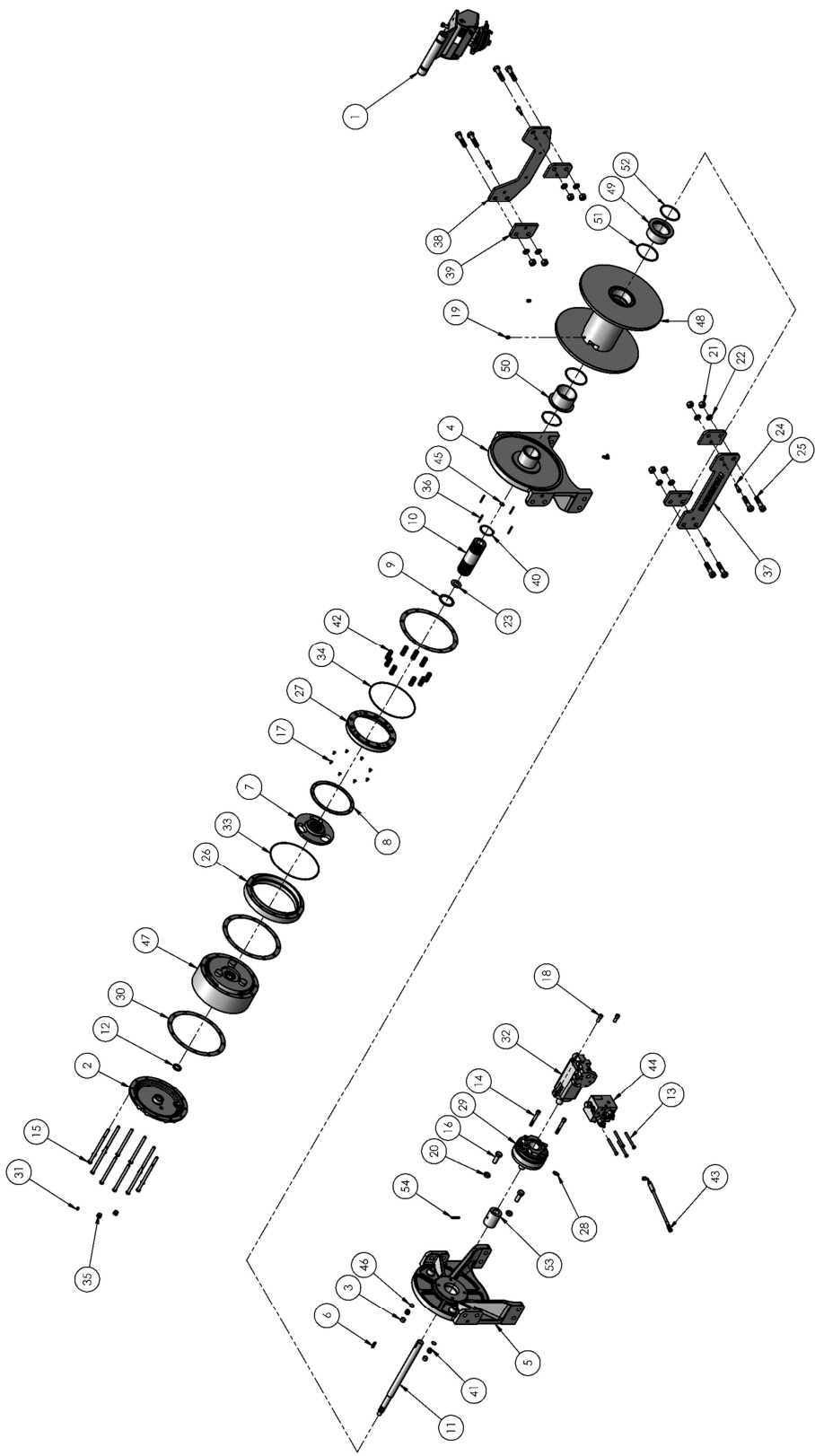
---

127402

				KITS					
Item#	QTY.	PART NUMBER	DESCRIPTION	207033	222079	246068	246084	248060	283087
41	2	494002	SPRING						
42	9	494140	SPRING		X				
43	1	509139	HOSE 4-4 90 DEG 37 DEG FLARE - 13.39 INCH						
44	1	516061	VALVE,MTR CONTROL						
45	1	518027	THRUST DISC-.035X.922DIA						
46	2	530094	SPACER-BRK DISC,20GAX7/8 D						
47	1	530173	GEARBOX ASSY						
48	1	324284	COUPLING-MOTOR						X
49	1	470075	PIN-1/4X 2						X
50	1	234262	WELDMENT-DRUM						
51	1	412078	BUSHING-DRUM					X	
52	1	412079	BUSHING-DRUM					X	
53	2	462040	QUAD-RING-4 1/4ODX3 7/8IDX3/16			X			
54	2	462043	O-RING,3/16X4 3/4X4 3/8			X			

# KITS AND MAINTENANCE PARTS 14

127403



# 14 KITS AND MAINTENANCE PARTS

127403

Item#	QTY.	PART NUMBER	DESCRIPTION	KITS					
				207033	222079	246068	246084	248060	283087
1	1	299777	ASSEMBLY-SPECIAL MOUNTED AIR ROLLER TENSIONER						
2	1	328211	COVER-GEARBOX						
3	2	330015	PUCK-DRUM DRAG						
4	1	338459	GEAR END BEARING						
5	1	338460	MOTOR END BEARING						
6	2	342081	KEY-RD ENDS,5/16X5/16X1.5LG	X					
7	1	342517	CLUTCH		X				
8	1	352035	RING-RETAINING CLUTCH		X				
9	1	352036	PLATE RETAINER						
10	1	357543	COUPLING-OUTPUT						
11	1	357546	SHAFT-INPUT						
12	1	362357	SPACER-COVER						
13	4	414400	CAPSCREW-3/8-24NF X4LG,HXHD,GR-5						
14	2	414595	CAPSCREW-1/2-13NC x 3-1/2 LONG, HX SOC HD, GR8	X					
15	12	414612	CAPSCREW-1/2-13NCX7 GR5						
16	2	414772	CAPSCREW-3/4-16NFX2LG HXHD GRADE 5						
17	8	414819	BOLT-1/4-20NCX1/2,FLAT SOCHD		X				
18	2	414948	CAPSCREW-1/2-13NCX1 1/4LG,SOCKET HD						
19	2	416072	SETSCREW-1/2-13NCX3/4LG HXSOCHD CUP						
20	2	418098	NUT-3/4-16NF HEX JAM						
21	8	418099	NUT-3/4-10NC HEX REG						
22	8	418249	LOCKWASHER-3/4 ID MED SECT						
23	1	418520	WASHER-THRUST					X	
24	4	418555	SHOULDER BOLT-1/2 X 1-1/4						
25	8	420030	CAPSCREW-3/4-10UNC X 3 LG, HX HD, GR-8						
26	1	426059	CYLINDER-CLUTCH						
27	1	426060	PISTON-CLUTCH		X				
28	1	432023	FITTING-7/16-20						
29	1	438044	BRAKE-MODULAR	X					
30	3	442210	GASKET-GEAR BX		X		X		
31	1	456008	RELIEF FIT-1/8-27PFT						
32	1	458126	MOTOR-HYDRAULIC						
33	1	462103	O RING		X	X			
34	1	462104	O RING		X	X			
35	2	468041	PLUG-3/4-16						
36	4	470156	THREADED TAPER PIN		X				
37	1	474244	TIE PLATE						
38	1	474245	TIE PLATE						
39	4	474246	SPACER-TIE PLATE						
40	1	490072	RING-RETAINING, EXTERNAL						

# KITS AND MAINTENANCE PARTS 14

**127403**

				KITS					
Item#	QTY.	PART NUMBER	DESCRIPTION	207033	222079	246068	246084	248060	283087
41	2	494002	SPRING						
42	9	494140	SPRING		X				
43	1	509139	HOSE 4-4 90 DEG 37 DEG FLARE - 13.39 INCH						
44	1	516061	VALVE,MTR CONTROL						
45	1	518027	THRUST DISC-.035X.922DIA						
46	2	530094	SPACER-BRK DISC,20GAX7/8 D						
47	1	530173	GEARBOX ASSY						
48	1	234262	WELDMENT-DRUM						
49	1	412078	BUSHING-DRUM					X	
50	1	412079	BUSHING-DRUM,SAE 660BRZ,4 3/8IDX3LG					X	
51	2	462040	QUAD-RING-4 1/4ODX3 7/8IDX3			X			
52	2	462043	O-RING,3/16X4 3/4X4 3/8			X			
53	1	324284	COUPLING-MOTOR						X
54	1	470075	PIN-1/4X 2						X



# KITS AND MAINTENANCE PARTS 14

**127412**

Item#	QTY.	PART NUMBER	DESCRIPTION	KITS				
				222079	246068	246084	248060	283087
1	1	299777	ASSEMBLY-SPECIAL MOUNTED AIR ROLLER TENSIONER					
2	1	328211	COVER-GEARBOX					
3	2	330015	PUCK-DRUM DRAG FREESPOOL					
4	1	338459	GEAR END BEARING					
5	1	338460	MOTOR END BEARING					
6	2	342081	KEY-RD ENDS,5/16X5/16X1.5LG					X
7	1	342517	CLUTCH	X				
8	1	352035	RING-RETAINING	X				
9	1	352036	PLATE RETAINER					
10	1	357543	COUPLING-OUTPUT					
11	1	357546	SHAFT-INPUT					
12	1	362357	SPACER-COVER					
13	4	414400	CAPSCREW-3/8-24NF X4LG,HXHD,GR-5					
14	2	414595	CAPSCREW-1/2-13NC x 3-1/2 LONG, HX SOC HD, GR8					
15	12	414612	CAPSCREW-1/2-13NCX7 GR5					
16	2	414772	CAPSCREW-3/4-16NFX2LG HXHD GRADE 5					
17	8	414819	BOLT-1/4-20NCX1/2,FLAT SOCHD	X				
18	2	414948	CAPSCREW-1/2-13NCX1 1/4LG,SOCKET HD					
19	2	416072	SETSCREW-1/2-13NCX3/4LG HXSOCHD CUP					
20	2	418098	NUT-3/4-16NF HEX JAM					
21	8	418099	NUT-3/4-10NC HEX REG					
22	8	418249	LOCKWASHER-3/4 ID MED SECT					
23	1	418520	WASHER-THRUST				X	
24	4	418555	SHOULDER BOLT-1/2 X 1-1/4					
25	8	420030	CAPSCREW-3/4-10UNC X 3 LG, HX HD, GR-8					
26	1	426059	CYLINDER-CLUTCH					
27	1	426060	PISTON-CLUTCH	X				
28	1	432023	FITTING-7/16-20					
29	1	438044	BRAKE-MODULAR					
30	3	442210	GASKET-GEAR BX	X		X		
31	1	456008	RELIEF FIT-1/8-27PFT					
32	1	458126	MOTOR-HYDRAULIC					
33	1	462103	O RING	X	X			
34	1	462104	O RING	X	X			
35	2	468041	PLUG-3/4-16					
36	4	470156	THREADED TAPER PIN	X				
37	1	474244	TIE PLATE					
38	1	474245	TIE PLATE					
39	4	474246	SPACER-TIE PLATE					
40	1	490072	RING-RETAINING					

# 14 KITS AND MAINTENANCE PARTS

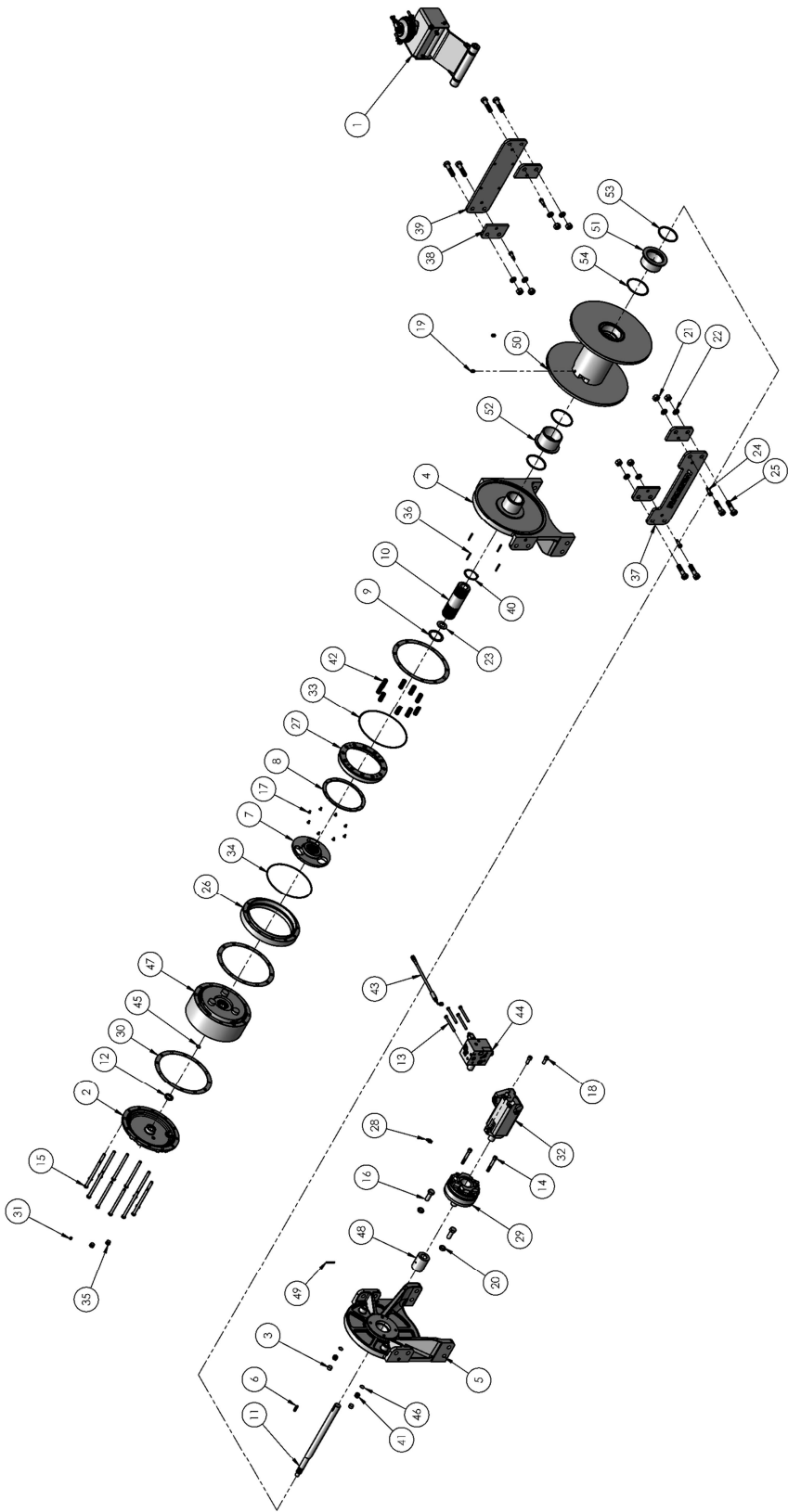
---

127412

Item#	QTY.	PART NUMBER	DESCRIPTION	KITS				
				222079	246068	246084	248060	283087
41	2	494002	SPRING					
42	9	494140	SPRING	X				
43	1	509139	HOSE 4-4 90 DEG 37 DEG FLARE - 13.39 INCH					
44	1	516061	VALVE,MTR CONTROL					
45	1	518027	THRUST DISC-.035X.922DIA					
46	2	530094	SPACER-BRK DISC,20GAX7/8 D					
47	1	530173	GEARBOX ASSY					
48	1	324284	COUPLING-MOTOR					X
49	1	470075	PIN-1/4X 2					X
50	1	234262	WELDMENT-DRUM					
51	1	412078	BUSHING-DRUM				X	
52	1	412079	BUSHING-DRUM,4 3/8IDX3LG				X	
53	2	462040	QUAD-RING-4 1/4ODX3 7/8IDX3/16		X			
54	2	462043	O-RING, 3/16X4 3/4X4 3/8		X			

# KITS AND MAINTENANCE PARTS 14

127413



# 14 KITS AND MAINTENANCE PARTS

127413

Item#	QTY.	PART NUMBER	DESCRIPTION	KITS					
				207033	222079	246068	246084	248060	283087
1	1	299776	ASSEMBLY-STD AIR ROLLER TENSIONER						
2	1	328211	COVER-GEARBOX						
3	2	330015	PUCK-DRUM DRAG						
4	1	338459	GEAR END BEARING						
5	1	338460	MOTOR END BEARING						
6	2	342081	KEY-RD ENDS,5/16X5/16X1.5LG	X					X
7	1	342517	CLUTCH		X				
8	1	352035	RING-RETAINING		X				
9	1	352036	PLATE RETAINER						
10	1	357543	COUPLING-OUTPUT						
11	1	357546	SHAFT-INPUT						
12	1	362357	SPACER-COVER						
13	4	414400	CAPSCREW-3/8-24NF X4LG,HXHD,GR-5						
14	2	414595	CAPSCREW-1/2-13NC x 3-1/2 LONG, HX SOC HD, GR8	X					
15	12	414612	CAPSCREW-1/2-13NCX7 GR5						
16	2	414772	CAPSCREW-3/4-16NFX2LG HXHD GRADE 5						
17	8	414819	BOLT-1/4-20NCX1/2,FLAT SOCHD		X				
18	2	414948	CAPSCREW-1/2-13NCX1 1/4LG,SOCKET HD						
19	2	416072	SETSCREW-1/2-13NCX3/4LG HXSOCHD CUP						
20	2	418098	NUT-3/4-16NF HEX JAM						
21	8	418099	NUT-3/4-10NC HEX REG						
22	8	418249	LOCKWASHER-3/4 ID MED SECT						
23	1	418520	WASHER-THRUST					X	
24	4	418555	SHOULDER BOLT-1/2 X 1-1/4						
25	8	420030	CAPSCREW-3/4-10UNC X 3 LG, HX HD, GR-8						
26	1	426059	CYLINDER-CLUTCH						
27	1	426060	PISTON-CLUTCH		X				
28	1	432023	FITTING-7/16-20						
29	1	438044	BRAKE-MODULA	X					
30	3	442210	GASKET-GEAR BX		X		X		
31	1	456008	RELIEF FIT-1/8-27PFT						
32	1	458126	MOTOR-HYDRAULIC						
33	1	462103	O RING		X	X			
34	1	462104	O RING		X	X			
35	2	468041	PLUG-3/4-16						
36	4	470156	THREADED TAPER PIN		X				
37	1	474244	TIE PLATE						
38	4	474246	SPACER-TIE PLATE						
39	1	474247	TIE PLATE						
40	1	490072	RING-RETAINING						

# KITS AND MAINTENANCE PARTS 14

**127413**

Item#	QTY.	PART NUMBER	DESCRIPTION	KITS					
				207033	222079	246068	246084	248060	283087
41	2	494002	SPRING						
42	9	494140	SPRING		X				
43	1	509139	HOSE 4-4 90 DEG 37 DEG FLARE - 13.39 INCH						
44	1	516061	VALVE,MTR CONTROL						
45	1	518027	THRUST DISC-.035X.922DIA						
46	2	530094	SPACER-BRK DISC,20GAX7/8 D						
47	1	530173	GEARBOX ASSY						
48	1	324284	COUPLING-MOTOR						X
49	1	470075	PIN-1/4X 2						X
50	1	234262	WELDMENT-DRUM						
51	1	412078	BUSHING-DRUM					X	
52	1	412079	BUSHING-DRUM,4 3/8IDX3LG					X	
53	2	462040	QUAD-RING-4 1/4ODX3 7/8IDX3/16			X			
54	2	462043	O-RING,3/16X4 3/4X4 3/8			X			

**RAMSEY WINCH INDUSTRIAL WINCH  
LIMITED WARRANTY**

**1.1 Scope of Warranty Coverage.** Upon the terms and subject to the conditions set forth in this limited warranty:

- (a) RAMSEY WINCH (referred to herein as “**RAMSEY WINCH**” or the “**Manufacturer**”) warrants to each initial end user customer (a “**Purchaser**”) of a new industrial winch together with any accessories manufactured and sold directly from RAMSEY WINCH (the “**Product**”) that the Product shall be free from defects in material and workmanship, under normal working and service conditions, for a period of eighteen (18) months from the date the Product is shipped from RAMSEY WINCH. (the “**Warranty Term**”). A Purchaser shall be eligible for an additional eighteen (18) months of coverage in addition to the Warranty Term (also referred to as the “**Standard (+) PLUS benefit**”) only if the Purchaser (i) complies with Section 1.2(a) and (ii) registers the Product during the Warranty Term at [myproduct.ramseywinch.com](http://myproduct.ramseywinch.com).
- (b) Notwithstanding the foregoing, this warranty does not cover components damaged by accident, abuse, misuse, neglect, untrained operators, collision, overloading, modification, disassembly, rework, misapplication, improper installation, lack of lubrication or maintenance, or improper service. This warranty does not cover the paint or material finish, rope (wire or synthetic), removal or reinstallation of the winch, or normal wear and tear and loss of functionality due to aging of the Product (which may include but is not limited to bearings, bushings, seals, O-rings, gaskets, brake material, motor brushes, electrical cables and more).

**1.2 Eligibility of Warranty Coverage.**

- (a) A Purchaser shall be eligible for warranty coverage under this Limited Warranty during the Warranty Term only if:
  - (i) Prior to placing a Product in service, and throughout use of the Product during the Warranty Term, the Purchaser provides (or causes to be provided) proper storage such that foreign objects (e.g. rain or debris) cannot enter any Product through entry ports which are normally closed during operation.; and
  - (ii) The Purchaser maintains, or causes to be maintained, the Product according to commercially reasonable standards and utilizes the Product for the purposes for which it was created; and
  - (iii) No repairs or alterations have been made by any party other than RAMSEY WINCH, including Purchaser, unless otherwise authorized in writing by RAMSEY WINCH.

**1.3 Transferability of Warranty.**

- (a) This warranty is transferable only from the Purchaser to the first subsequent transferee (the “**Transferee**”) of the Product from Purchaser upon (i) written notification to RAMSEY WINCH and (ii) registration of the transfer, both within 30 days of such Product transfer.
- (b) Upon satisfaction of transfer requirements set forth in Section 1.3(a), the Transferee shall succeed to all the rights and obligations of the Purchaser set forth in this Limited Warranty.

**1.4 Certain Limitations on Scope of Warranty Service.**

- (a) Any obligation of RAMSEY WINCH under this warranty, statutory or otherwise, is limited to the repair of the Product, at its factory or Authorized Service Centers. Notwithstanding the foregoing, if field service or repair is performed by RAMSEY WINCH at the request of the Purchaser and no defect is found with material or workmanship of the Product, the Purchaser shall compensate RAMSEY WINCH for its time and expenses within thirty (30) days of delivery of an invoice relating to the same. If repair is determined by RAMSEY WINCH in its sole, absolute and uncontrolled discretion to be impossible or impractical, then RAMSEY WINCH may satisfy this warranty by replacing the Product. RAMSEY WINCH will not provide any cash payment or credits for defective materials or workmanship.

- (b) Purchaser shall be responsible for any and all freight charges for any Product receiving warranty service under this limited warranty. Any travel time, transportation charges, freight charges, or similar costs incurred by RAMSEY WINCH in connection with the replacement or repair of defective parts, shall, be the responsibility of the Purchaser. If applicable, RAMSEY WINCH shall invoice Purchaser for the total amount of such charges within sixty (60) days of fulfilling its duties under this warranty, payable within thirty (30) days of delivery of such invoice. In no event shall RAMSEY WINCH be liable for bills for service, labor or other expenses that have been incurred by the Purchaser without approval or prior authorization by RAMSEY WINCH for inspection, maintenance, or repair of the Product.
- (c) If a Product is found to be operable upon inspection, the Product, at Purchaser's election, may be either (1) returned to the Purchaser with a service charge from RAMSEY WINCH for inspection, cleaning, and routine replacement of all rubber components and any other parts that show wear; or (2) RAMSEY WINCH can dispose of the product safely.

1.5 **Limitations of Liability.** RAMSEY WINCH shall in no event be liable for punitive, special or consequential damages relating to the Product or this Warranty. RAMSEY WINCH makes no warranty in respect to third-party accessories, upgrades, or additions to the Product.

1.6 **Improving Product.** RAMSEY WINCH reserves the right to improve the Product through changes in design or materials as it may deem desirable or necessary without being obligated to incorporate, upgrade, or otherwise modify previously manufactured products.

1.7 **Limitations of Warranty.**

- (a) THE WARRANTY SET FORTH ABOVE IS THE ONLY EXPRESS WARRANTY. RAMSEY WINCH HEREBY DISCLAIMS AND EXCLUDES ANY OTHER EXPRESS, IMPLIED, OR STATUTORY WARRANTIES, ARISING BY OPERATION OF LAW, COURSE OF DEALING, COURSE OF PERFORMANCE, USAGE, OF TRADE, OR OTHERWISE, INCLUDING, WITHOUT LIMITATION, ANY WARRANTIES OF MERCHANTABILITY, FITNESS FOR A PARTICULAR PURPOSE, AND INTELLECTUAL PROPERTY RIGHTS OF A THIRD PARTY.
- (b) ANY IMPLIED WARRANTY WHICH BY LAW MAY NOT BE EXCLUDED IS LIMITED IN DURATION TO ONE (1) YEAR FROM THE DATE OF ORIGINAL RETAIL PURCHASE OF THE PRODUCT.
- (c) This warranty gives you specific legal rights, and you may also have other rights which vary from jurisdiction to jurisdiction.
- (d) This warranty is valid only in the U.S.A. and Canada. For warranty outside the U.S.A. and Canada contact your nearest Ramsey Winch Distributor.

1.8 **No Modifications to Warranty.** No RAMSEY WINCH dealer, distributor, agent or employee is authorized to make any modification, extension or addition to this warranty.

1.9 **How to Apply for Warranty Coverage.**

All claims are handled by contacting your nearest Ramsey Winch Distributor. For questions, please contact customer support: [rwcustomersupport@ramseyindustries.com](mailto:rwcustomersupport@ramseyindustries.com).

Visit [Dealer Locator - Ramsey Winch](#) for Ramsey Winch Distributor locations and contact information.

Additional warranty, service support, product information, and parts information can be found on [www.ramseywinch.com](http://www.ramseywinch.com).



