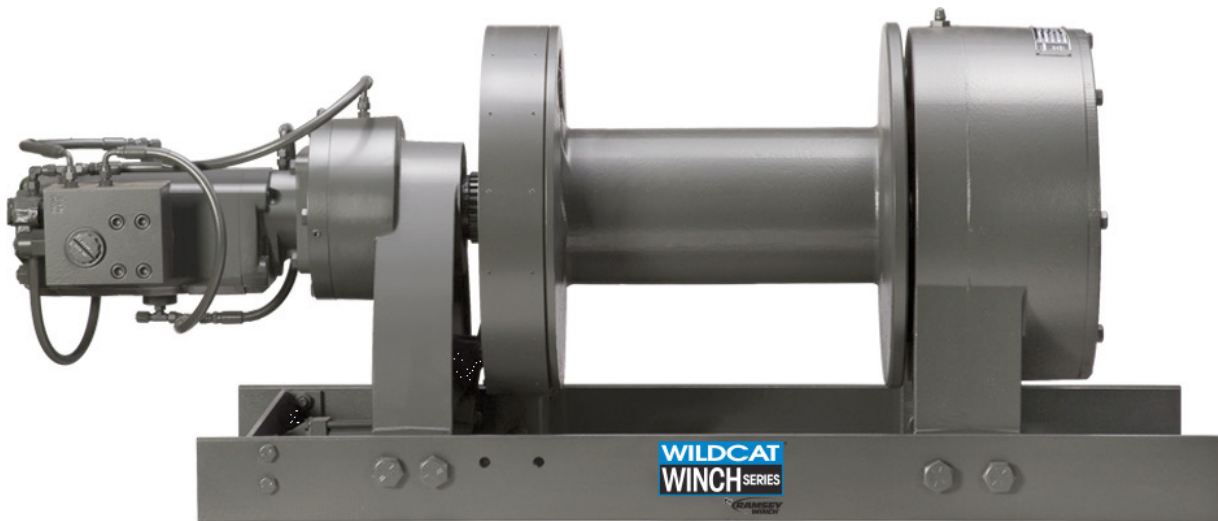


WILDCAT[®]

WINCH SERIES

By **RAMSEY
WINCH[®]**

OPERATING, SERVICE AND MAINTENANCE MANUAL



WILDCAT 50K MODEL WC 50R 50,000 LB INDUSTRIAL WINCH



CAUTION: READ AND UNDERSTAND THIS MANUAL BEFORE INSTALLATION AND OPERATION OF WINCH. SEE WARNINGS!

OM 914270-0226-F

TABLE OF CONTENTS

WARRANTY INFORMATION	1
SPECIFICATIONS	1
WARNINGS	2
HYDRAULIC SYSTEM REQUIREMENTS	2
PERFORMANCE CHARTS	2
CABLE INSTALLATION	3
CLUTCH OPERATION	4
WINCH OPERATION	4
MAINTENANCE	4
LUBRICATION TABLE	5
TROUBLE SHOOTING GUIDE	5
INSTRUCTIONS FOR DISASSEMBLY	6-11
HOSE HOOKUP	12
PARTS DRAWING	13
PARTS LIST	14
AIR CYLINDER PARTS LIST	15
DIMENSIONAL DRAWING	16
LIMITED WARRANTY	

RAMSEY HYDRAULIC PLANETARY WINCH MODEL WILDCAT WC 50 K

PLEASE READ THIS MANUAL CAREFULLY

This manual contains useful ideas in obtaining the most efficient operation from your Ramsey Winch, and safety procedures one needs to know before operating a Ramsey Winch. Do not operate this winch until you have carefully read and understand the "WARNINGS" and "OPERATION" sections of this manual.

WARRANTY INFORMATION

Ramsey Winches are designed and built to exacting specifications. Great care and skill go into every winch we make. If the need should arise, warranty procedure is outlined on the back of your self-addressed postage paid warranty card. Please read and fill out the enclosed warranty card and send it to Ramsey Winch Company. If you have any problems with your winch, please follow instructions for prompt service on all warranty claims. Refer to back page for limited warranty.

SPECIFICATIONS*

APPROXIMATE WEIGHT:		976 LBS								
WORKING PRESSURE:		2700 PSI								
CABLE DIAMETER:		7/8 INCH								
MAX FLOW:		60 GPM								
LAYER OF CABLE	CABLE CAPACITY		LOW SPEED				HIGH SPEED			
			LINE PULL		LINE SPEED		LINE PULL		LINE SPEED	
	Ft	m	Lb	Kg	fpm	mpm	Lb	Kg	fpm	mpm
1	30	9	50000	22670	41	12.4	25000	11330	82	24.9
2	75	22	41300	18730	49	14.8	20600	9340	98	29.7
3	125	38	35200	15960	56	17.0	17600	7980	113	34.3
4	130	54	30700	13970	64	19.4	15300	6930	129	39.2
5	245	74	27200	12330	72	21.8	13600	6160	145	44.0
* These specifications are based on recommended wire rope of 7/8" Extra Improved Plow Steel Cable and a 10.3 cu. in. / Rev. motor.										

NOTE: The rated line pulls shown are for the winch only. Consult the wire rope manufacturer for wire rope ratings.

WARNINGS:

CLUTCH MUST BE FULLY ENGAGED BEFORE STARTING THE WINCHING OPERATION.

DO NOT START WINCH MOTOR BEFORE ENGAGING CLUTCH.

DO NOT DISENGAGE CLUTCH UNDER LOAD.

STAY OUT FROM UNDER AND AWAY FROM RAISED LOADS.

STAND CLEAR OF CABLE WHILE PULLING. DO NOT TRY TO GUIDE CABLE.

DO NOT EXCEED MAXIMUM LINE PULL RATINGS SHOWN IN TABLE.

DO NOT USE WINCH TO LIFT, SUPPORT, OR OTHERWISE TRANSPORT PEOPLE.

A MINIMUM OF 5 WRAPS OF CABLE AROUND THE DRUM BARREL IS NECESSARY TO HOLD THE LOAD.

CABLE ANCHOR IS NOT DESIGNED TO HOLD LOAD.

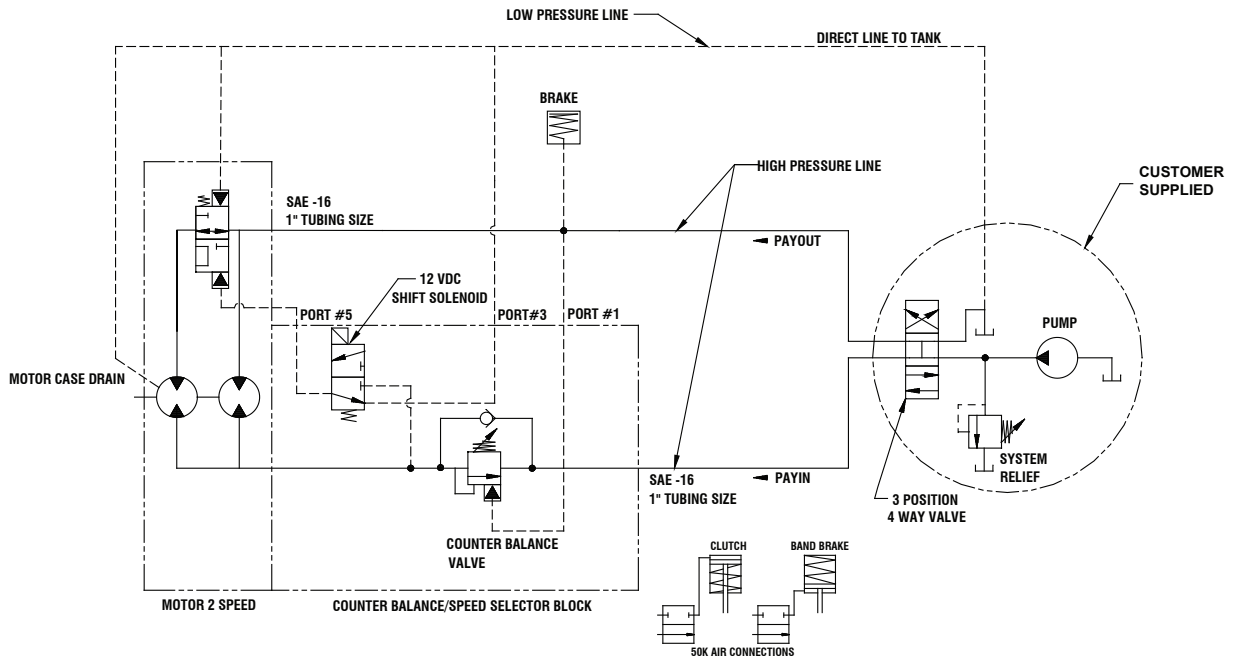
BAND BRAKE IS NOT TO BE USED TO HOLD LOAD

HYDRAULIC SYSTEM REQUIREMENTS

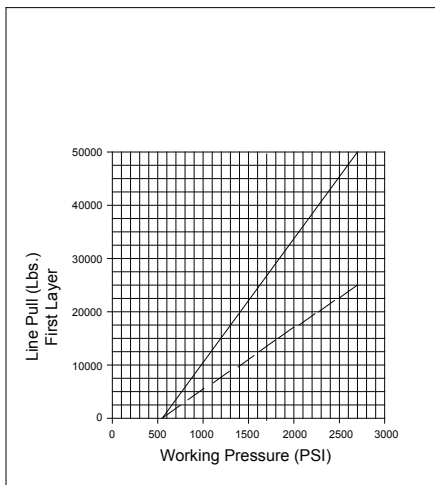
Refer to the performance charts, below, to properly match your hydraulic system to winch performance. The charts consist of:

(1) Line pull (lb.) first layer vs. working pressure (PSI) and (2) line speed, first layer (FPM) vs. gallons per minute (GPM). Performance based on a motor displacement of 10.3 cubic inches/rev with 60 GPM maximum flow rate. Motor has (2) 1"-12 SAE straight thread o-ring ports.

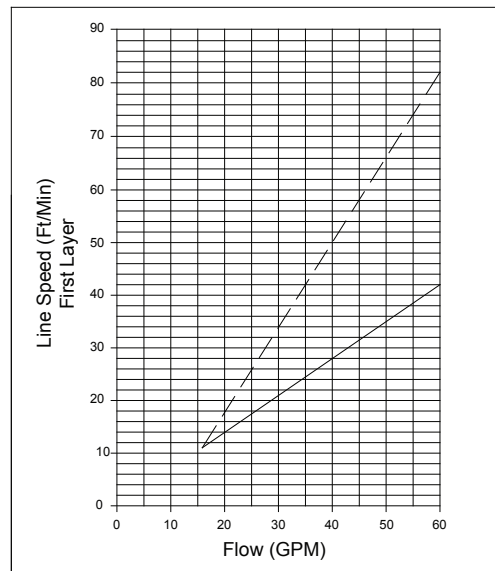
Note: A motor spool (open center) directional control valve is required for brake operation.



PERFORMANCE CHARTS



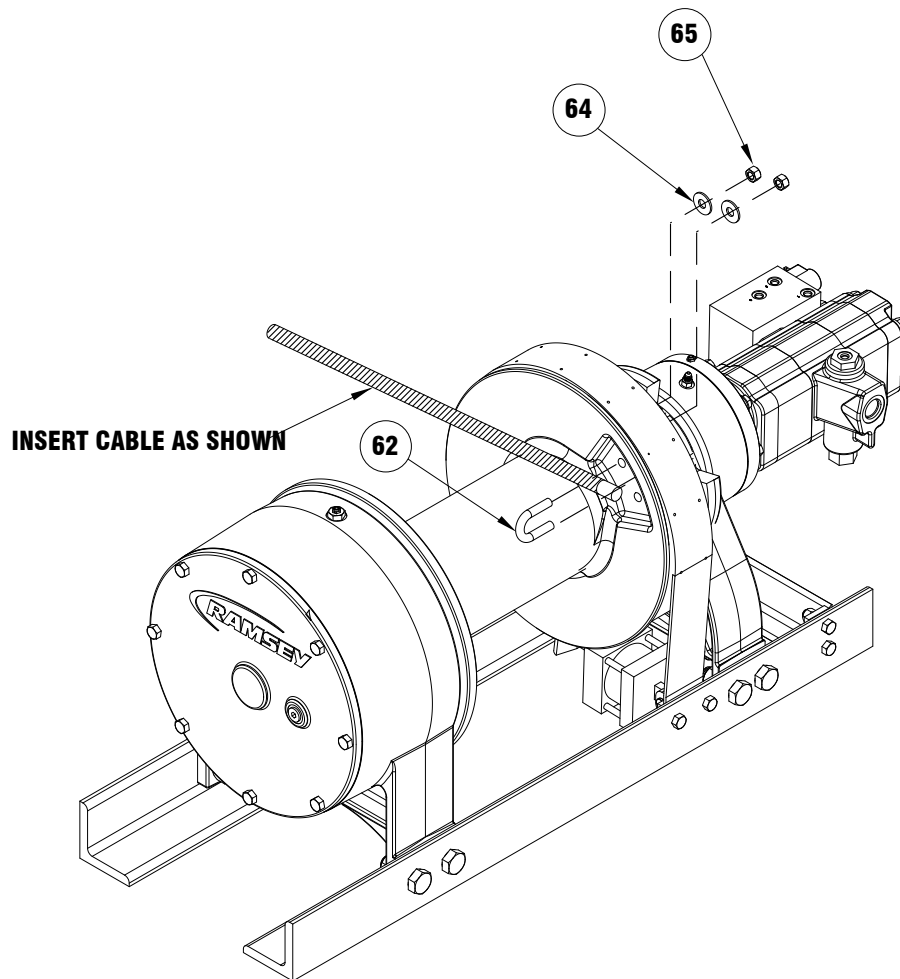
BASED ON 10.3 CU IN/REV MOTOR



CABLE INSTALLATION

CABLE INSTALLATION

1. Unwind cable by rolling it out along the ground to prevent kinking. Securely wrap end of wire rope, opposite hook, with plastic or similar tape to prevent fraying.
2. Place taped end of cable around the drum and into the track on drum flange. Secure using supplied u-bolt #62 and (2) washers #64 and (2) nuts #65.
3. Carefully run the winch in the "reel-in" direction. Keeping tension on end of cable, spool all the cable onto the cable drum, taking care to form neatly wrapped layers.
4. After installing cable, band brake is used to prevent bird nesting while pulling out cable, when clutch is disengaged.



CLUTCH OPERATION

CLUTCH OPERATION

WARNING: CLUTCH MUST BE FULLY ENGAGED BEFORE STARTING THE WINCHING OPERATION.

To engage clutch:

1. Move clutch control to engage the clutch.
2. Run the motor in the cable out direction until the drum begins to turn.

WARNING: DO NOT DISENGAGE CLUTCH UNDER LOAD.

To disengage clutch:

1. Run the winch in the "cable out" direction until the load is off the cable.
2. Move the clutch control to disengage the clutch. The cable may now be spooled off.

WINCH OPERATION

The best way to get acquainted with how your winch operates is to make test runs before you use it. Plan your test in advance. Remember, you hear your winch, as well as see it operate; learn to recognize the sounds of a light steady pull, a heavy pull, and sounds caused by load jerking or shifting. Gain confidence in operating your winch and its use will become second nature with you.

The uneven spooling of cable while pulling a load is not a problem, unless there is a cable pileup on one end of drum. If this happens reverse the winch to relieve the load and move your anchor point further to the center of the vehicle. After the job is done you can unspool and rewind for a neat lay of the cable.

MAINTENANCE

Adhering to the following maintenance schedule will keep your winch in top condition and performing as it should with a minimum of repair.

Drum bushings are oil impregnated with synthetic oil. The drum bushings do not require additional grease.

A. WEEKLY

1. Check the oil level and maintain it to the oil level plug. If oil is leaking out, determine location and repair.
2. Check the pressure relief plug on the gear housing cover and the brake housing cover. Be sure they are not plugged.
3. Lubricate cable with light oil.
4. Apply a high quality lithium grease to clutch spline. Apply band brake to control drum. Declutch drum and apply grease to spline between clutch and drum.

B. MONTHLY

1. Check the winch mounting bolts. If any are missing, replace them and securely tighten any that are loose. Use grade 8 or better bolts.
2. Inspect the cable. If the cable has become frayed with broken strands, replace immediately.

C. ANNUALLY

1. Drain the oil from the winch annually or more often if winch is used frequently.
2. Refill the winch to the oil level plug with all purpose GL-5 oil, (see page 6) for gear lube compatible with your climate.
3. Inspect winch for damage and wear.

LUBRICATION TABLE / TROUBLE SHOOTING GUIDE

LUBRICATION CHART

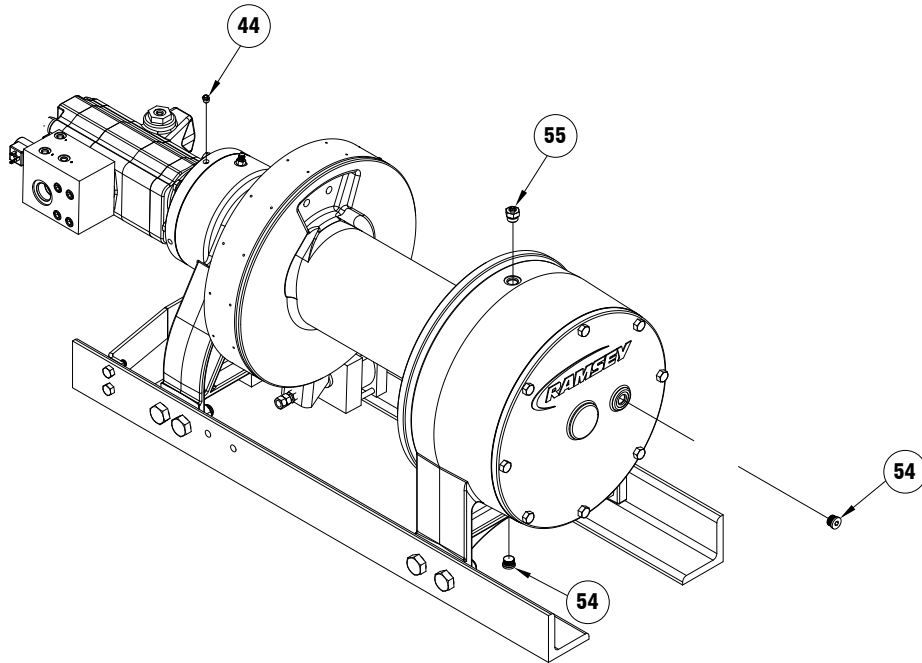
Lubricant Description*	Temp Range F(C)		
	Min Ambient & Operating	Max Ambient	Max Operating
80W140 Synthetic	-25 (-32)	125 (52)	225 (107)
75W90 Synthetic	-40 (-40)	115 (46)	215 (102)
80W90 Conventional	-20 (-29)	100 (38)	180 (82)
85W140 Conventional	20 (6)	120 (50)	200 (93)
*Use API GL-5 or EP lubricants.			

TROUBLE SHOOTING GUIDE

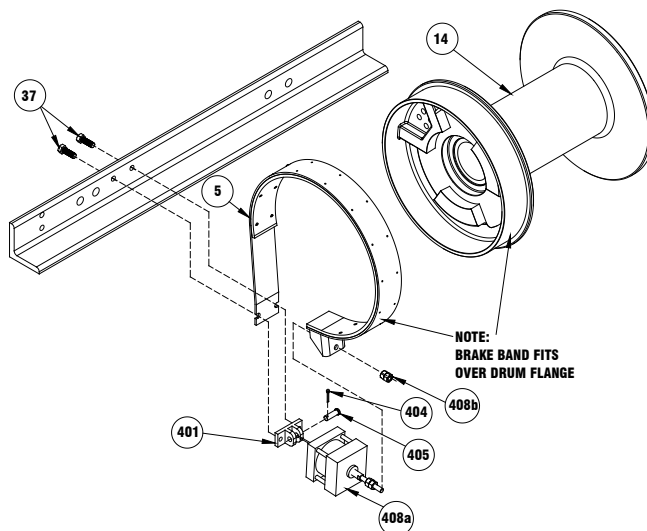
CONDITIONS	POSSIBLE CAUSE	CORRECTION
OIL LEAKS FROM WINCH	<ol style="list-style-type: none"> 1. Seals damaged or worn. 2. Too much oil. 3. Damaged o-rings. 4. Case drain not connected. 	<ol style="list-style-type: none"> 1. Replace seal 2. Drain excess oil. Refer to page 7. 3. Replace o-rings. 4. Connect case drain.
WINCH RUNS TOO SLOW	<ol style="list-style-type: none"> 1. Low flow rate. 2. Hydraulic motor worn out. 	<ol style="list-style-type: none"> 1. Check flow rate. Refer to Hydraulic Systems Performance Chart, page 3. 2. Replace motor.
CABLE DRUM WILL NOT FREESPOOL	<ol style="list-style-type: none"> 1. Clutch not disengaged 	<ol style="list-style-type: none"> 1. Check operation, refer to Clutch Operation, page 5.
BRAKE WILL NOT HOLD	<ol style="list-style-type: none"> 1. Incorrect directional control valve (cylinder spool, closed center). 2. Excessive hydraulic system back pressure. 3. Sprag clutch worn out. 	<ol style="list-style-type: none"> 1. Use only a motor spool (open center) directional control valve. 2. Reduce system back pressure to less than 100 psi. 3. Replace sprag clutch mechanism.
BRAKE WILL NOT RELEASE	<ol style="list-style-type: none"> 1. Brake line disconnected or blocked 	<ol style="list-style-type: none"> 1. Repair brake line.
WINCH WILL NOT OPERATE AT HIGH SPEED	<ol style="list-style-type: none"> 1. Shift solenoid not working. 	<ol style="list-style-type: none"> 1. Verify shift spool is energized.
WINCH OPERATES ERRATICALLY ON INHAUL	<ol style="list-style-type: none"> 1. Sprag hub is reversed. 	<ol style="list-style-type: none"> 1. Install sprag hub correctly.

INSTRUCTIONS FOR DISASSEMBLY

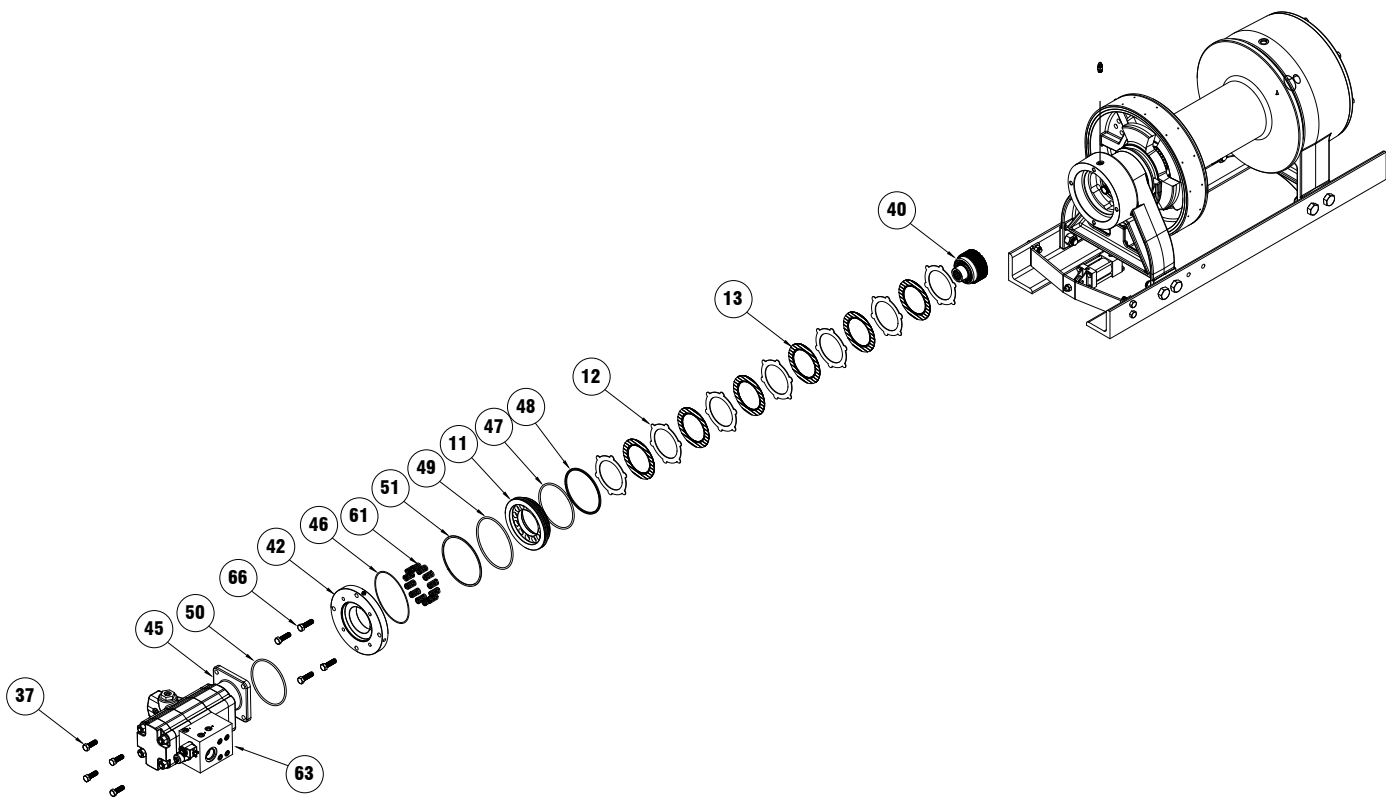
1. Remove wire rope from drum.
2. Drain oil from winch by removing (2) plugs #54, removing the lower plug first.
3. When replacing lubricant, use 192 oz of applicable lube for your climate from table on page 6 adding 4 oz at #44 and 188 oz at # 55.



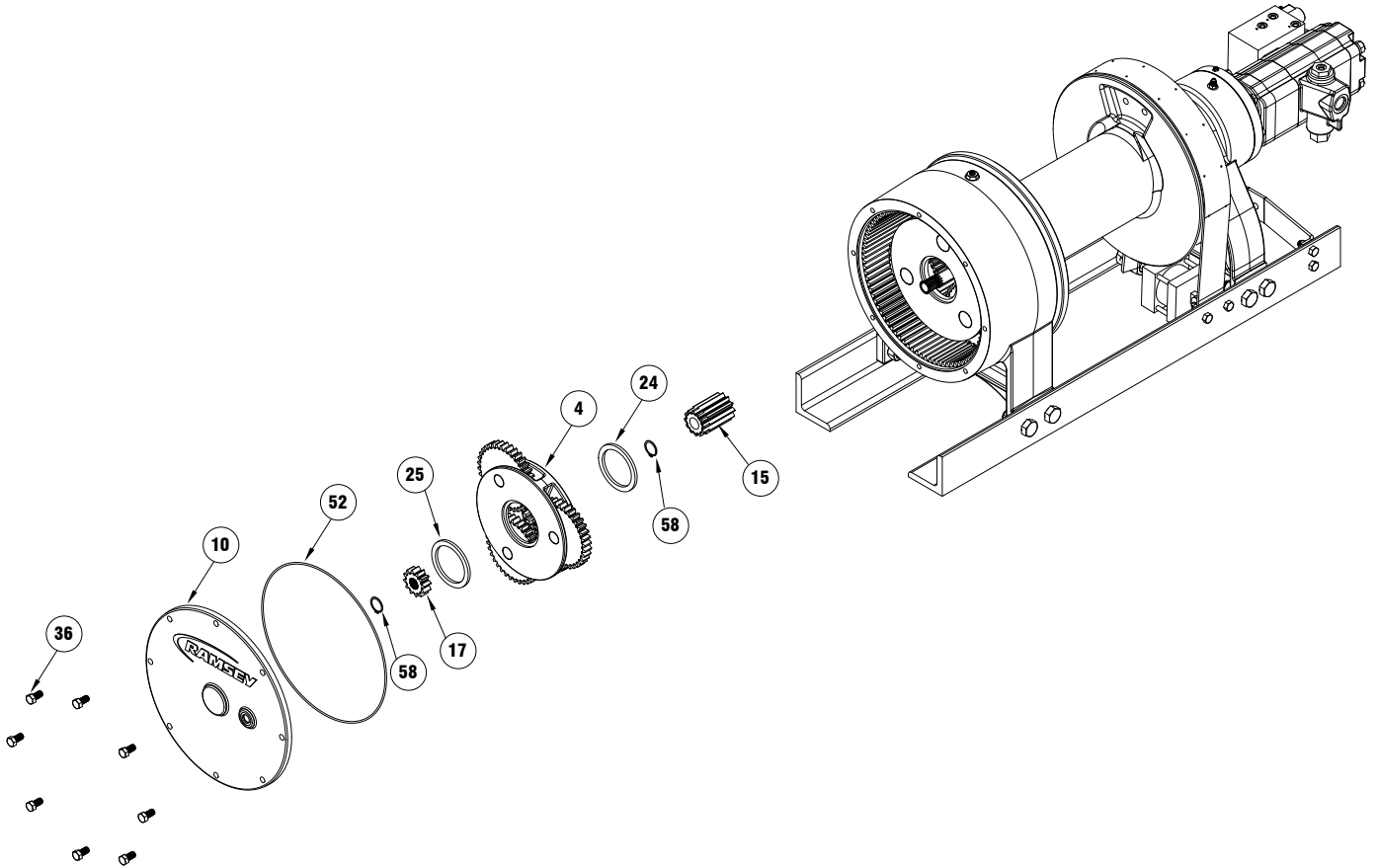
4. Remove (2) nuts #408b from air cylinder #408a. Air cylinder may now be removed. If needed, mounting bracket #401 may be removed by removing pin #404 from pin #405 and then sliding pin out of mounting bracket. Brake band #5 may be expanded over drum flange to barrel for easiest removal.



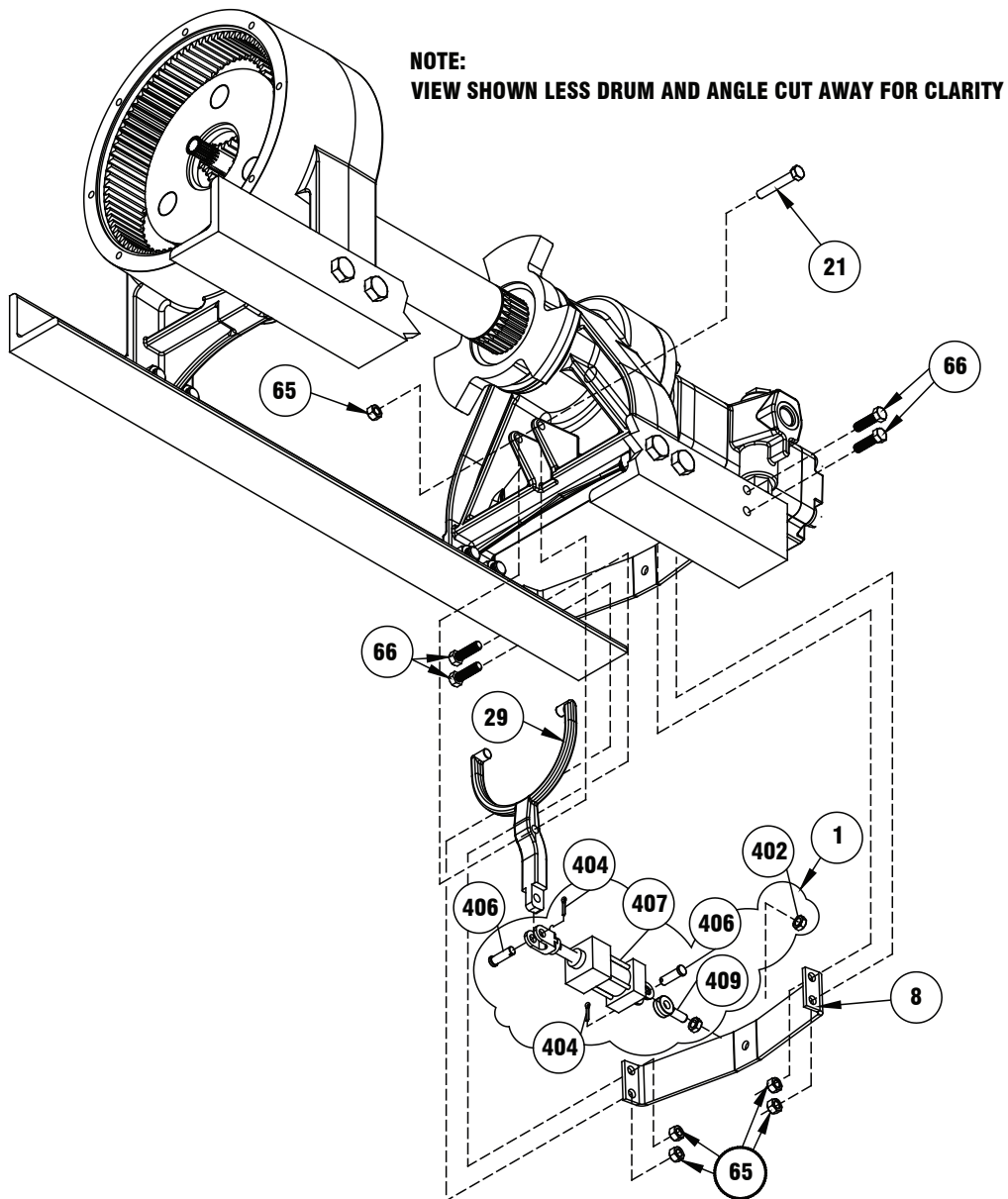
5. Remove motor #45 from winch by first disconnecting hydraulic lines (see page 17), solenoid wires, and then remove (4) bolts #37. O-ring #50 may now be removed.
6. Remove brake cover #42 by removing (4) bolts #66. The cover is spring loaded, use care when removing. Remove o-ring #46 then springs #61 may be removed; residual oil may be present in the brake housing.
7. Remove piston #11 including o-rings and backup rings #47, #48, #49, and #51 by using a momentary puff of compressed air into the brake port located on top of the end bearing. Capture the piston by placing a shop rag over the opening prior to using air.
8. Remove the sprag brake hub assembly #40, (7) stator plates #12, and (6) disc brakes #13. The sprag brake hub assembly #40 is not a serviceable part, if damaged a replacement assembly should be ordered.



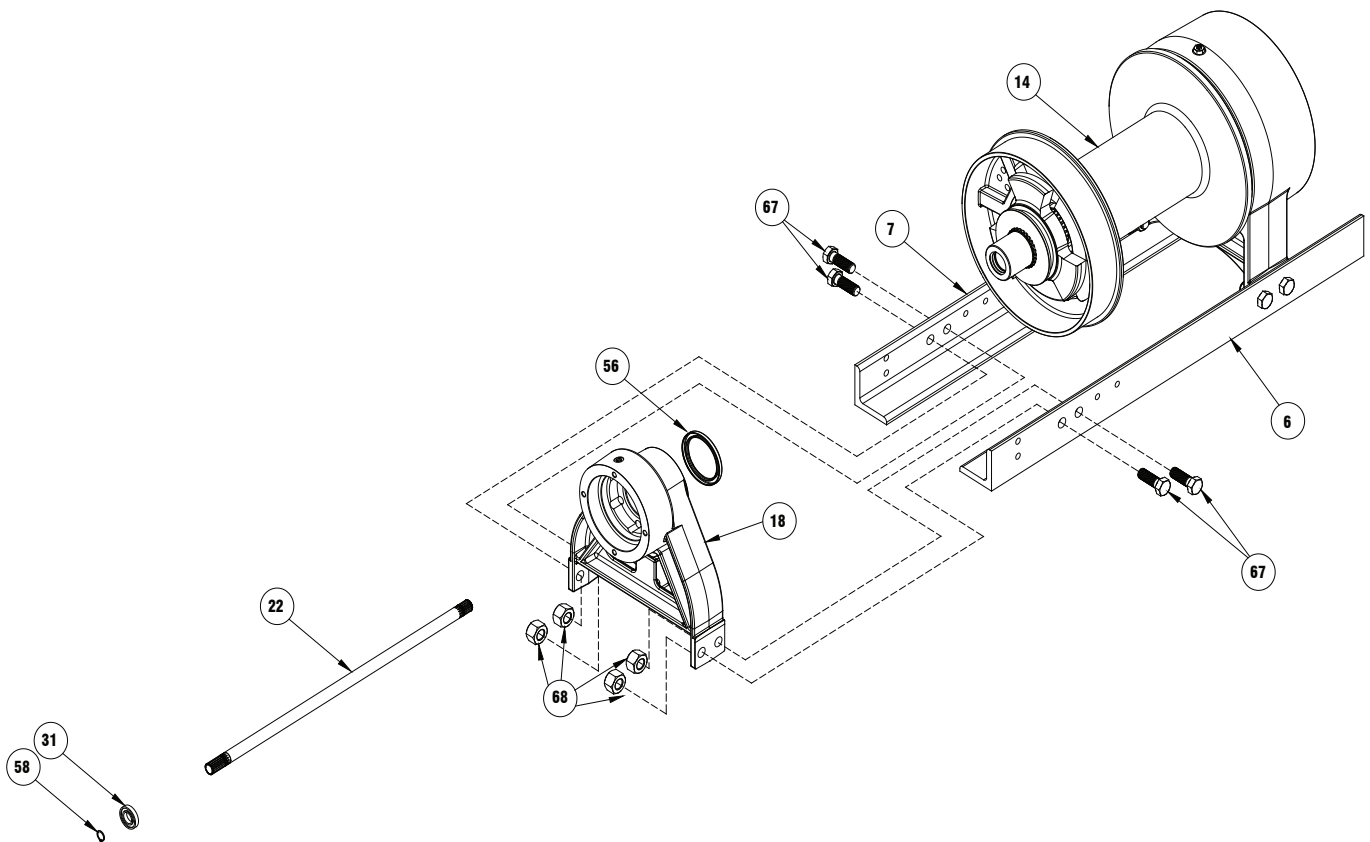
9. Remove (8) cover bolts #36; cover #10, and o-ring #52.
10. Remove snap ring #58, and sun gear #17.
11. The planetary carrier assembly #4 may now be removed along with (2) spacers #25.
12. Remove second snap ring #58 and output sun gear #15.



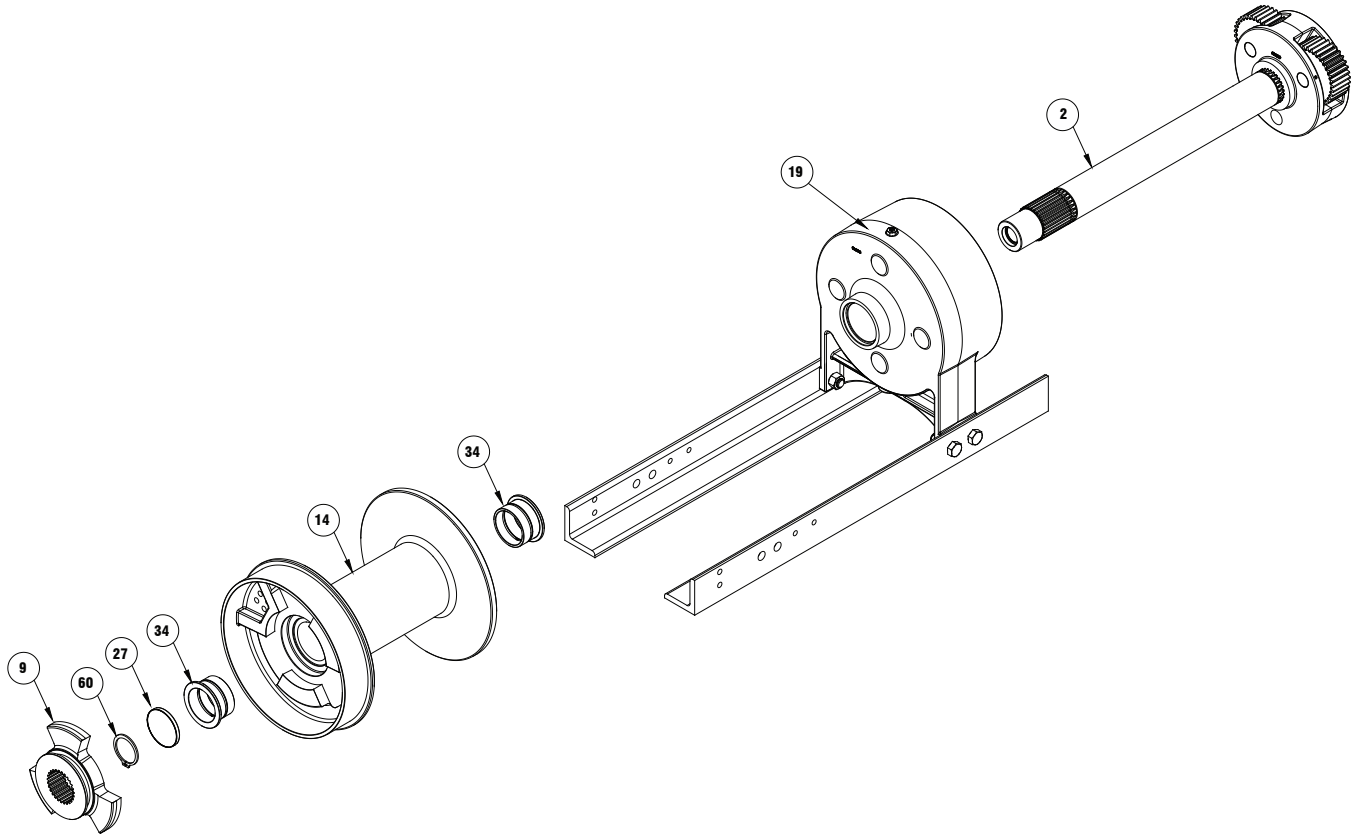
13. Remove the clutch cylinder #1 by removing the (2) cotter keys #404 and (2) pins #406 from either end of the air cylinder #407.
14. The clutch cylinder support angle #8 can be removed by removing the four bolts #66 and nuts #65 attaching it to the mounting angles.
15. Remove the clutch yoke #29 by removing center pivot bolt #21 and nut #65.



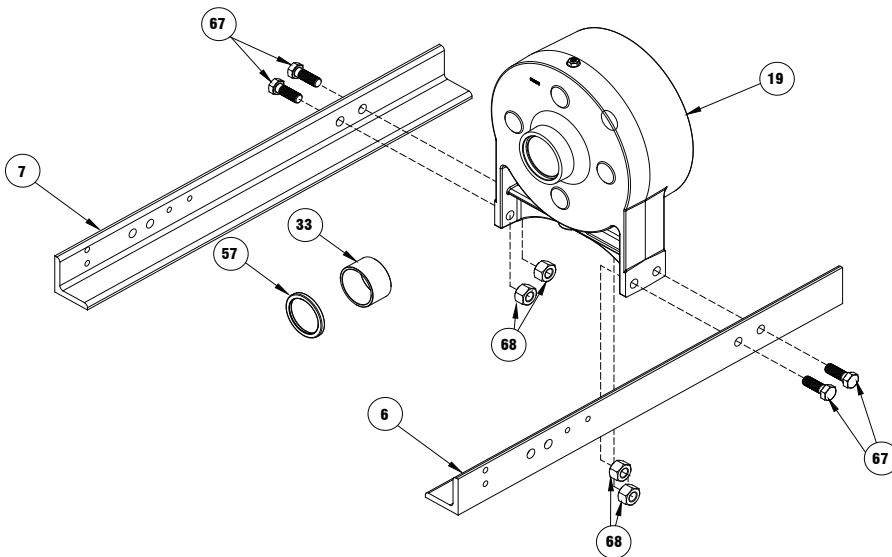
16. By removing snap ring #58, the input shaft #22 and ball bearing #31 may be removed.
17. To remove the motor end bearing #18 support drum #14 with a nylon strap or chain and hoist. Lift on the drum to tension the strap. Remove (4) bolts #67 and (4) nuts #68 attaching the end bearing to the mounting angles #6 and #7. The motor end bearing #18 will be supported on the output shaft end and may be slid off using a nylon strap and hoist to lift it.



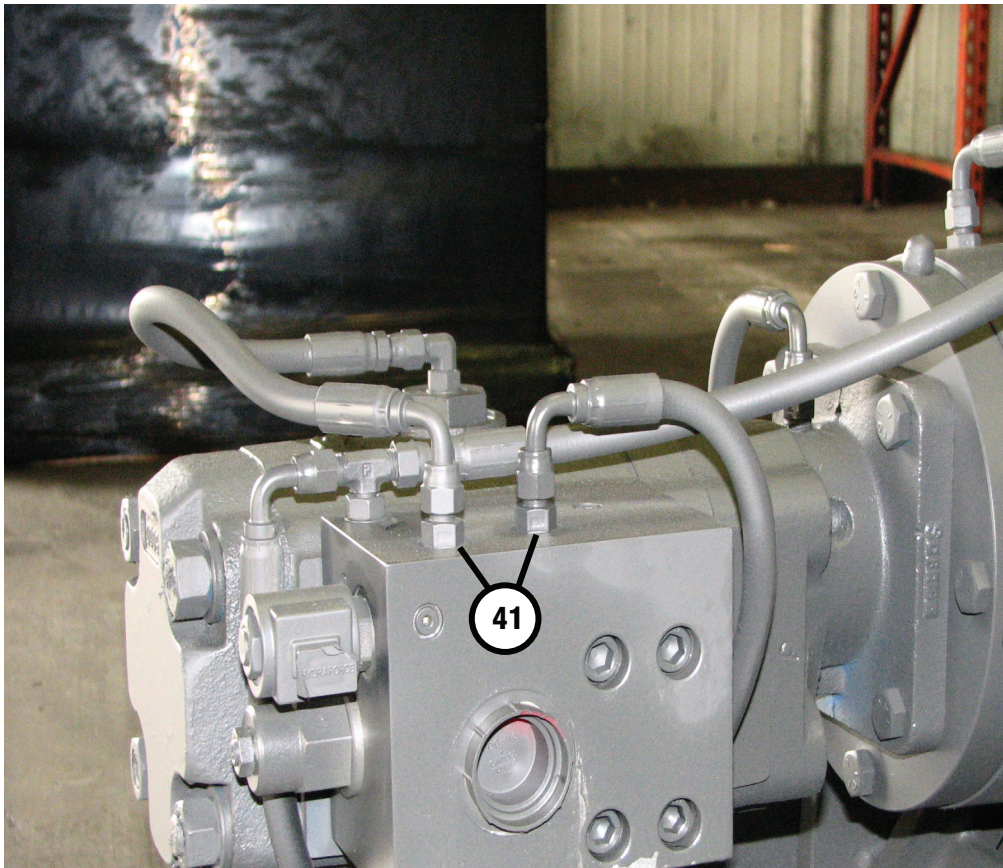
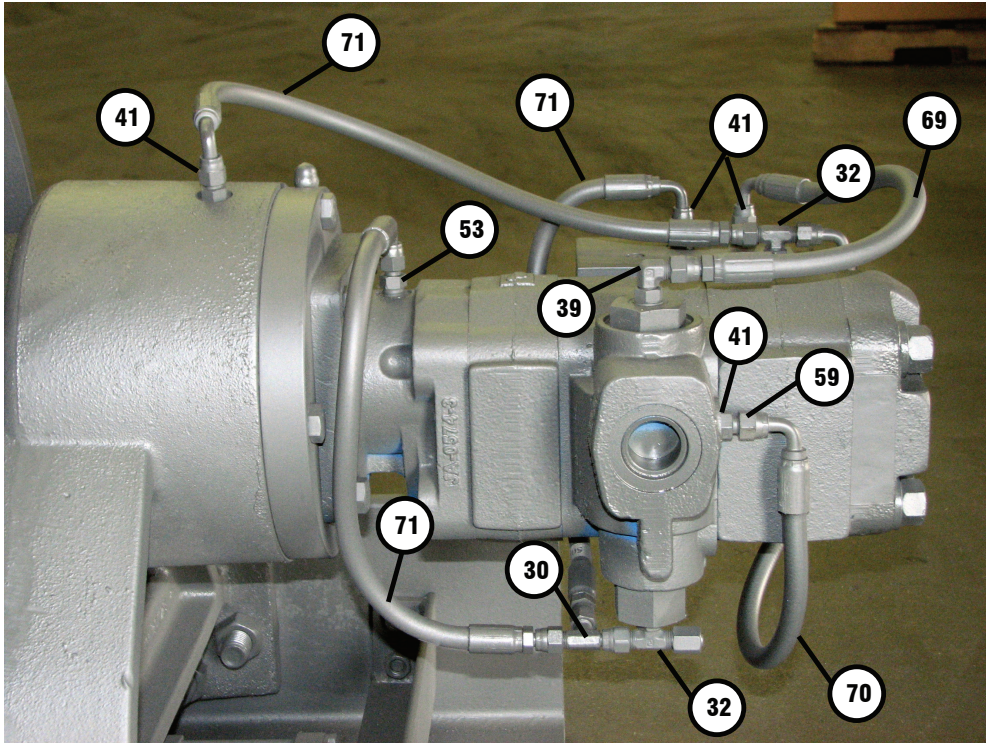
18. While continuing to support the drum #14, remove the clutch #9, snap ring #60 and spacer #27.
19. The output carrier assembly #2 may be slid from the drum assembly.
20. The drum #14 is now supported only by the nylon strap and may be removed.
21. The (2) bushings #34 may be pressed from the drum if replacement is necessary.



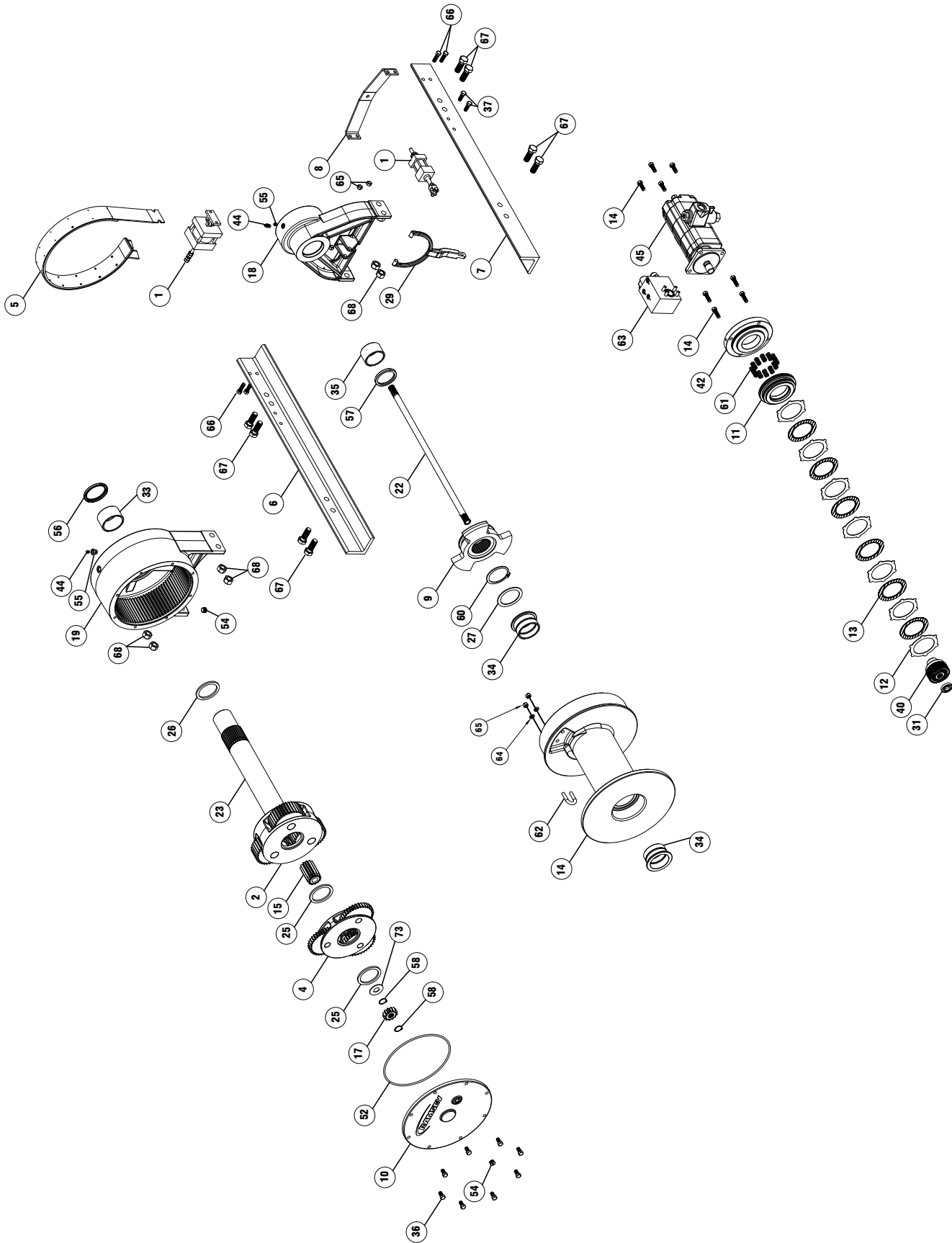
22. To remove gear end bearing #19, from mounting angles #6 and #7, first remove (4) 7/8-9NC bolts #67 and (4) nuts #68 from each angle. Shaft oil seal #57 and end bearing bushing # 33 can be removed and replaced at this time, if necessary.



HOSE HOOKUP



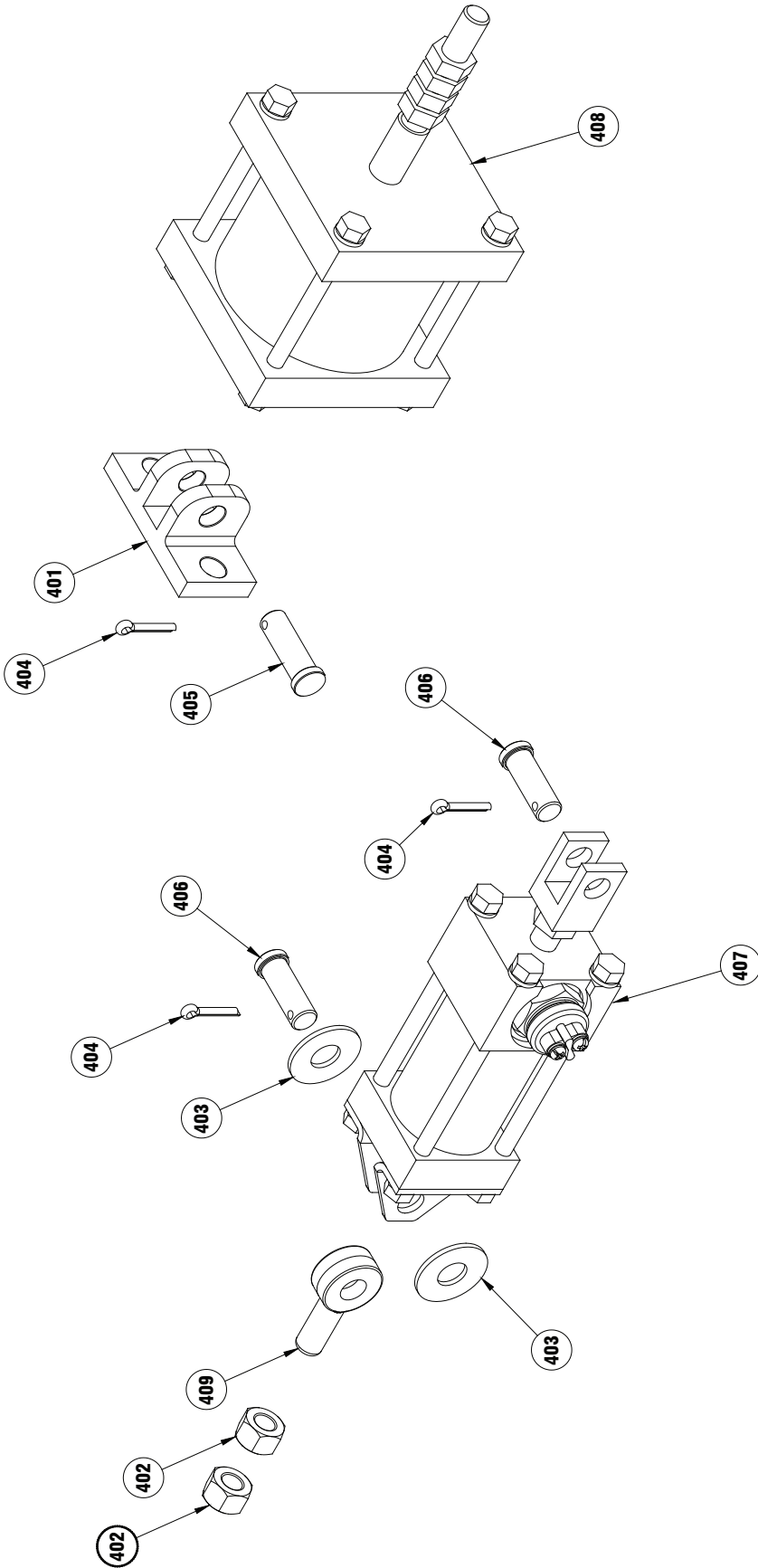
PARTS DRAWING



PARTS LIST

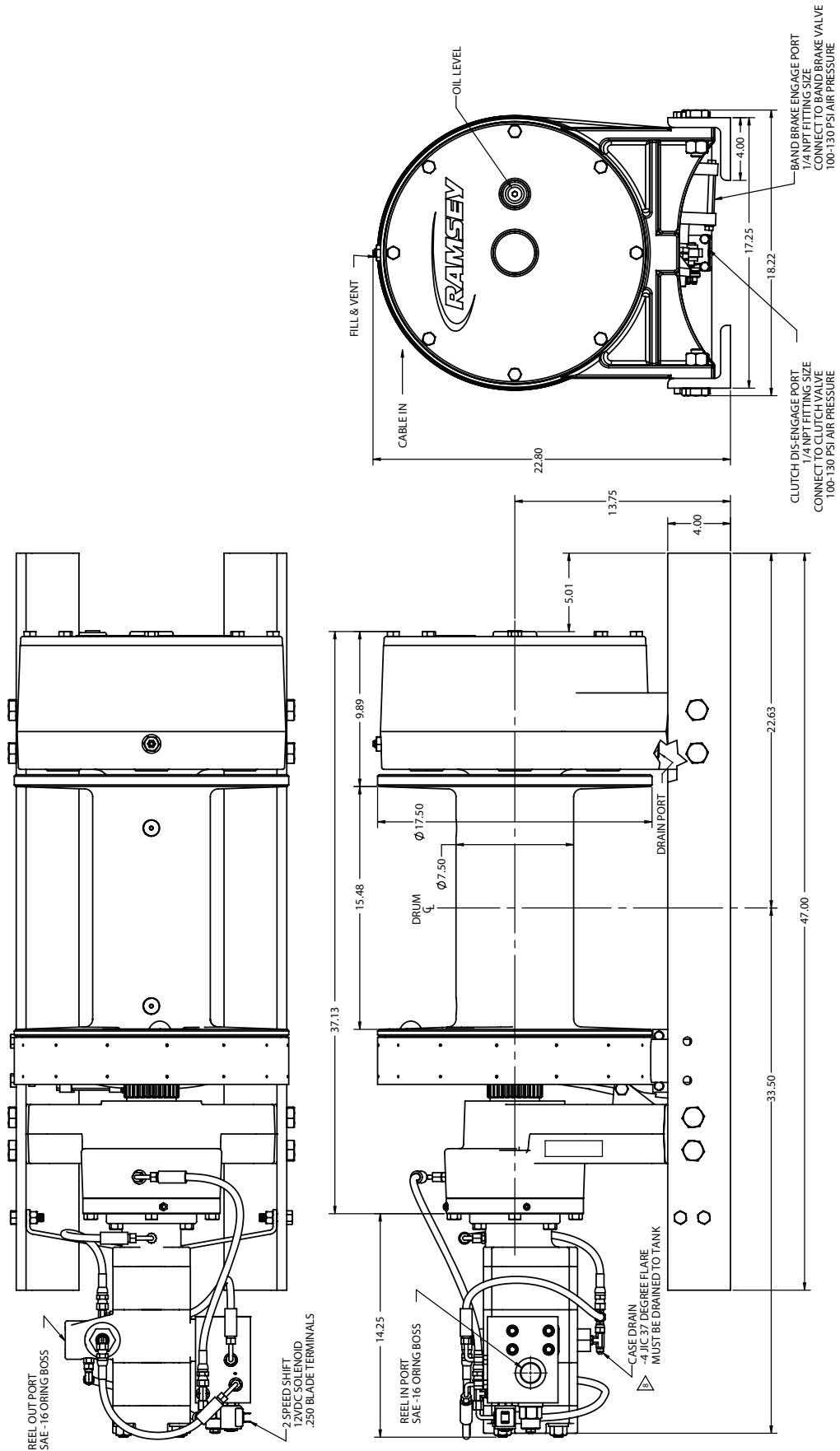
ITEM	QTY.	PART NO.	DESCRIPTION	ITEM	QTY.	PART NO.	DESCRIPTION
1	1	256131	AIR CYLINDER	38			NOT USED
2	1	251313	OUTPUT CARRIER ASSEMBLY KIT	39	1	432018	FITTING JIC O-RING EL
3			NOT USED	40	1	296688	SPRAG BRAKE HUB ASSEMBLY
4	1	296732	INPUT CARRIER ASSEMBLY	41	4	432023	FITTING JIC O-RING NIPPLE
5	1	299750	BAND BRAKE	42	1	438043	BRAKE COVER
6	1	303156	LH MOUNTING ANGLE	43			NOT USED
7	1	303157	RH MOUNTING ANGLE	44	2	456008	FITTING- RELIEF 1/8-27NPTF, 15 PSI MAX
8	1	312579	CLUTCH CYLINDER SUPPORT BRACKET	45	1	458169	MOTOR- HYD
9	1	324511	CLUTCH	46	1	462063	O-RING 2-165
10	1	328175	GEAR HOUSING COVER	47	1	462082	O-RING 2-358
11	1	330016	BRAKE PISTON	48	1	462083	BACK UP RING
12	7	330017	STATOR PLATE	49	1	462084	O-RING 2-362
13	6	330018	DISC-BRAKE	50	1	462081	O-RING 2-159
14	1	332248	DRUM	51	1	462085	BACK UP RING
15	1	334226	GEAR-SUN OUTPUT	52	1	462093	O-RING 2-280
16			NOT USED	53	1	432053	FITTING JIC O-RING NIPPLE
17	1	334227	GEAR-SUN INPUT	54	2	468041	PLUG-3/4-16 (-8 SAE) WITH O-RING, SOC HD
18	1	338400	END BEARING-MOTOR SIDE	55	1	468042	REDUCER-3/4-16 SAE O-RING X 1/8NPTF
19	1	338401	END BEARING-GEAR SIDE	56	1	486096	SEAL-OIL-SHAFT
20			NOT USED	57	1	486097	SEAL-OIL-SHAFT
21	1	414543	CAPSCREW-1/2-13NC X 3 LG, HXHD, GR5	58	3	490068	SNAP RING 5100-1.25
22	1	357533	INPUT SHAFT	59	1	432054	FITTING JIC SWIVEL EL
23	1	357534	OUTPUT SHAFT	60	1	490067	SNAP RING
24			NOT USED	61	12	494129	SPRING-BRAKE
25	2	362301	SPACER- INPUT CARRIER	62	1	514021	U-BOLT
26	1	362317	SPACER- OUTPUT CARRIER	63	1	516048	COUNTER ALANCE BLOCK
27	1	362318	SPACER- DRUM	64	2	418218	LOCKWASHER-1/2 ID MED SECT,ZINC PLT
28			NOT USED	65	7	418069	NUT-1/2-13NC HEX REG,ZINC PLATED
29	1	370062	YOKE- SHIFTER	66	8	414556	BOLT-1/2-13NCX1.75,HXD,GR5,FORD BLK
30	1	432048	FITTING JIC SWIVEL TEE	67	8	414790	BOLT-7/8-9NC X 3.25 LG,HXHD,GR8, PLATED
31	1	402142	BALL BEARING	68	8	418108	NUT-7/8-9NC HEX REG ZINC PLATED
32	2	432049	FITTING JIC BRANCH TEE	69	1	509137	HOSE
33	1	412139	GEAR END BEARING BUSHING	70	2	509140	HOSE
34	2	412162	DRUM BUSHING	71	3	509141	HOSE
35	1	412140	MOTOR END BEARING BUSHING	72	1	468016	PIPE PLUG
36	8	414521	CAPSCREW-1/2-13NC X 1 LG, HXHD	73	1	518080	WASHER-THRUST
37	6	414578	CAPSCREW-1/2-13NC X 1-1/4 LG, HXHD, GR. 5, ZP				

AIR CYLINDER PARTS LIST



ITEM	QTY	PART NO	DESCRIPTION
401	1	408422	MOUNTING BRACKET
402	2	418067	NUT-1/2-20NF HEX JAM
403	2	418223	WASHER-1/2 USS FLAT
404	3	424005	COTTER PIN- 1/8 DIA X 1 LG
405	1	424027	CLEVIS PIN-1/2 SHAFT DIA X 1 1/2 LG
406	2	424205	CLEVIS PIN-1/2 SHAFT DIA X 1 23/64 LG
407	1	433031	AIR CYLINDER
408	1	433032	AIR CYLINDER
409	1	448108	EYE BOLT

DIMENSIONAL DRAWING WC 50 K



**RAMSEY WINCH INDUSTRIAL WINCH
LIMITED WARRANTY**

1.1 Scope of Warranty Coverage. Upon the terms and subject to the conditions set forth in this limited warranty:

- (a) RAMSEY WINCH (referred to herein as “**RAMSEY WINCH**” or the “**Manufacturer**”) warrants to each initial end user customer (a “**Purchaser**”) of a new industrial winch together with any accessories manufactured and sold directly from RAMSEY WINCH (the “**Product**”) that the Product shall be free from defects in material and workmanship, under normal working and service conditions, for a period of eighteen (18) months from the date the Product is shipped from RAMSEY WINCH. (the “**Warranty Term**”). A Purchaser shall be eligible for an additional eighteen (18) months of coverage in addition to the Warranty Term (also referred to as the “**Standard (+) PLUS benefit**”) only if the Purchaser (i) complies with Section 1.2(a) and (ii) registers the Product during the Warranty Term at myproduct.ramseywinch.com.
- (b) Notwithstanding the foregoing, this warranty does not cover components damaged by accident, abuse, misuse, neglect, untrained operators, collision, overloading, modification, disassembly, rework, misapplication, improper installation, lack of lubrication or maintenance, or improper service. This warranty does not cover the paint or material finish, rope (wire or synthetic), removal or reinstallation of the winch, or normal wear and tear and loss of functionality due to aging of the Product (which may include but is not limited to bearings, bushings, seals, O-rings, gaskets, brake material, motor brushes, electrical cables and more).

1.2 Eligibility of Warranty Coverage.

- (a) A Purchaser shall be eligible for warranty coverage under this Limited Warranty during the Warranty Term only if:
 - (i) Prior to placing a Product in service, and throughout use of the Product during the Warranty Term, the Purchaser provides (or causes to be provided) proper storage such that foreign objects (e.g. rain or debris) cannot enter any Product through entry ports which are normally closed during operation.; and
 - (ii) The Purchaser maintains, or causes to be maintained, the Product according to commercially reasonable standards and utilizes the Product for the purposes for which it was created; and
 - (iii) No repairs or alterations have been made by any party other than RAMSEY WINCH, including Purchaser, unless otherwise authorized in writing by RAMSEY WINCH.

1.3 Transferability of Warranty.

- (a) This warranty is transferable only from the Purchaser to the first subsequent transferee (the “**Transferee**”) of the Product from Purchaser upon (i) written notification to RAMSEY WINCH and (ii) registration of the transfer, both within 30 days of such Product transfer.
- (b) Upon satisfaction of transfer requirements set forth in Section 1.3(a), the Transferee shall succeed to all the rights and obligations of the Purchaser set forth in this Limited Warranty.

1.4 Certain Limitations on Scope of Warranty Service.

- (a) Any obligation of RAMSEY WINCH under this warranty, statutory or otherwise, is limited to the repair of the Product, at its factory or Authorized Service Centers. Notwithstanding the foregoing, if field service or repair is performed by RAMSEY WINCH at the request of the Purchaser and no defect is found with material or workmanship of the Product, the Purchaser shall compensate RAMSEY WINCH for its time and expenses within thirty (30) days of delivery of an invoice relating to the same. If repair is determined by RAMSEY WINCH in its sole, absolute and uncontrolled discretion to be impossible or impractical, then RAMSEY WINCH may satisfy this warranty by replacing the Product. RAMSEY WINCH will not provide any cash payment or credits for defective materials or workmanship.

- (b) Purchaser shall be responsible for any and all freight charges for any Product receiving warranty service under this limited warranty. Any travel time, transportation charges, freight charges, or similar costs incurred by RAMSEY WINCH in connection with the replacement or repair of defective parts, shall, be the responsibility of the Purchaser. If applicable, RAMSEY WINCH shall invoice Purchaser for the total amount of such charges within sixty (60) days of fulfilling its duties under this warranty, payable within thirty (30) days of delivery of such invoice. In no event shall RAMSEY WINCH be liable for bills for service, labor or other expenses that have been incurred by the Purchaser without approval or prior authorization by RAMSEY WINCH for inspection, maintenance, or repair of the Product.
- (c) If a Product is found to be operable upon inspection, the Product, at Purchaser's election, may be either (1) returned to the Purchaser with a service charge from RAMSEY WINCH for inspection, cleaning, and routine replacement of all rubber components and any other parts that show wear; or (2) RAMSEY WINCH can dispose of the product safely.

1.5 **Limitations of Liability.** RAMSEY WINCH shall in no event be liable for punitive, special or consequential damages relating to the Product or this Warranty. RAMSEY WINCH makes no warranty in respect to third-party accessories, upgrades, or additions to the Product.

1.6 **Improving Product.** RAMSEY WINCH reserves the right to improve the Product through changes in design or materials as it may deem desirable or necessary without being obligated to incorporate, upgrade, or otherwise modify previously manufactured products.

1.7 **Limitations of Warranty.**

- (a) THE WARRANTY SET FORTH ABOVE IS THE ONLY EXPRESS WARRANTY. RAMSEY WINCH HEREBY DISCLAIMS AND EXCLUDES ANY OTHER EXPRESS, IMPLIED, OR STATUTORY WARRANTIES, ARISING BY OPERATION OF LAW, COURSE OF DEALING, COURSE OF PERFORMANCE, USAGE, OF TRADE, OR OTHERWISE, INCLUDING, WITHOUT LIMITATION, ANY WARRANTIES OF MERCHANTABILITY, FITNESS FOR A PARTICULAR PURPOSE, AND INTELLECTUAL PROPERTY RIGHTS OF A THIRD PARTY.
- (b) ANY IMPLIED WARRANTY WHICH BY LAW MAY NOT BE EXCLUDED IS LIMITED IN DURATION TO ONE (1) YEAR FROM THE DATE OF ORIGINAL RETAIL PURCHASE OF THE PRODUCT.
- (c) This warranty gives you specific legal rights, and you may also have other rights which vary from jurisdiction to jurisdiction.
- (d) This warranty is valid only in the U.S.A. and Canada. For warranty outside the U.S.A. and Canada contact your nearest Ramsey Winch Distributor.

1.8 **No Modifications to Warranty.** No RAMSEY WINCH dealer, distributor, agent or employee is authorized to make any modification, extension or addition to this warranty.

1.9 **How to Apply for Warranty Coverage.**

All claims are handled by contacting your nearest Ramsey Winch Distributor. For questions, please contact customer support: rwcustomersupport@ramseyindustries.com.

Visit [Dealer Locator - Ramsey Winch](#) for Ramsey Winch Distributor locations and contact information.

Additional warranty, service support, product information, and parts information can be found on www.ramseywinch.com.

NOTES



Ramsey Winch Company

Post Office Box 581510

Tulsa, Oklahoma 74158-1510

Telephone: (#918) 438-2760 FAX: (#918) 438-6688