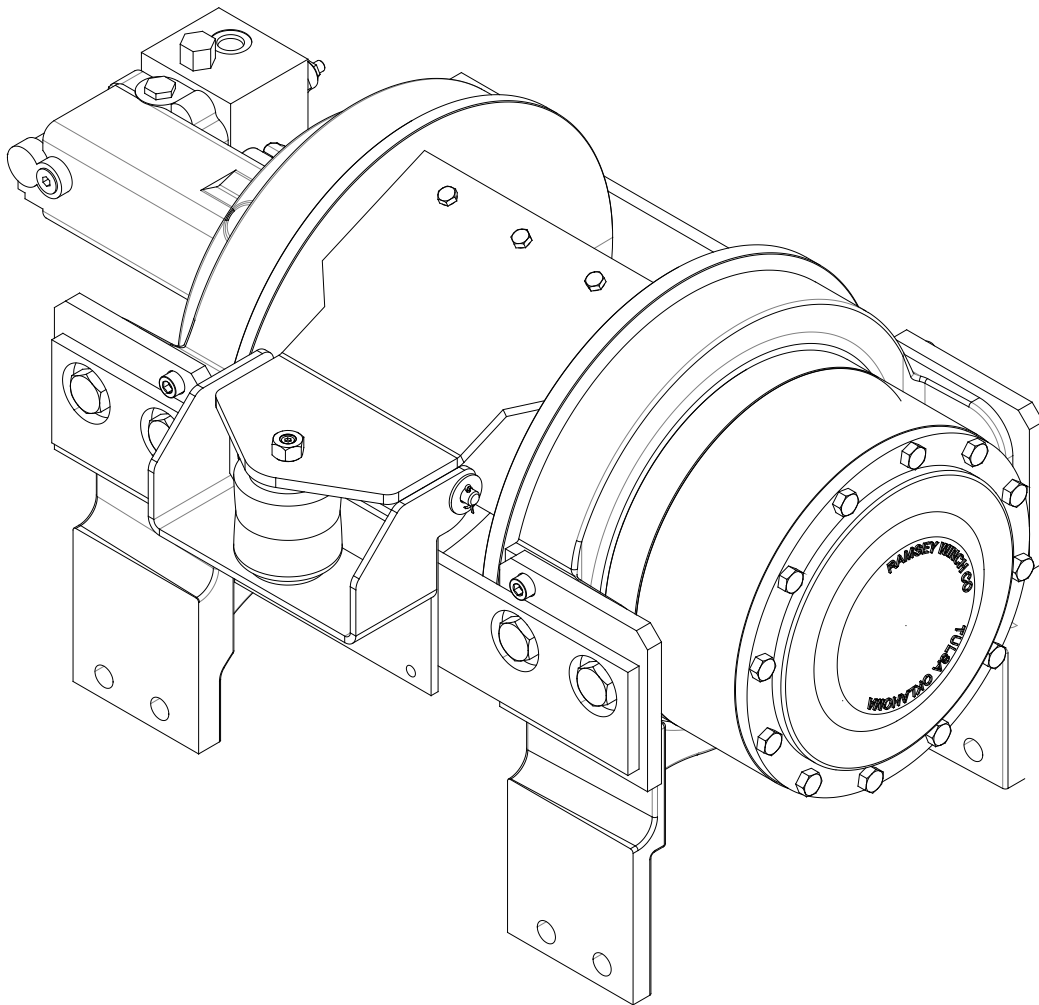




# OPERATING, SERVICE AND MAINTENANCE MANUAL



## MODEL HD-P50,000 INDUSTRIAL PLANETARY WINCH WITH AIR TENSIONER AND 2 SPEED MOTOR



**CAUTION:** READ AND UNDERSTAND THIS MANUAL BEFORE INSTALLATION AND OPERATION OF WINCH. SEE WARNINGS!

# TABLE OF CONTENTS

INTRODUCTION .....	1
WARRANTY INFORMATION .....	1
SPECIFICATIONS .....	1
WARNINGS .....	1
HYDRAULIC SYSTEM REQUIREM .....	2
PERFORMANCE CHARTS .....	2
WINCH OPERATION .....	3
CLUTCH OPERATION .....	3
CABLE INSTALLATION .....	3
MAINTENANCE .....	4
TROUBLE SHOOTING GUIDE .....	4
INSTRUCTIONS FOR OVERHAUL .....	5-9
MOUNTING CONFIGURATIONS .....	10
DIMENSIONAL DRAWING .....	11
PARTS LIST AND PART DRAWING .....	13-16
LIMITED WARRANTY .....	Last Page

# RAMSEY HYDRAULIC PLANETARY WINCH MODEL HD-P50,000

## PLEASE READ THIS MANUAL CAREFULLY

This manual contains useful ideas in obtaining the most efficient operation from your Ramsey Winch, and safety procedures one needs to know before operating a Ramsey Winch. Do not operate this winch until you have carefully read and understand the "WARNINGS" and "OPERATION" sections of this manual.

## WARRANTY INFORMATION

Ramsey Winches are designed and built to exacting specifications. Great care and skill go into every winch we make. If the need should arise, warranty procedure is outlined on the back of your self-addressed postage paid warranty card. Please read and fill out the enclosed warranty card and send it to Ramsey Winch Company. If you have any problems with our winch, please follow instructions for prompt service on all warranty claims. Refer to back page for limited warranty.

### SPECIFICATIONS\* (LOW SPEED MODE)

Rated Line Pull (lbs.).....		50,000					
(Kgs.).....		22,670					
Gear Reduction.....		51.35:1					
Weight (without cable).....		742 lb. (341 Kgs.)					
LAYER OF CABLE		1	2	3	4	5	6
*Rated line pull per layer	Lbs.	50,000	41,800	36,000	31,600	28,100	25,400
	Kg.	22,680	18,960	16,320	14,330	12,740	11,520
*Cable capacity	Ft.	25	55	95	135	185	235
	M.	7	16	28	41	56	71
*Line speed (at 25 GPM)	FPM	20	22	25	28	31	35
	MPM	5.6	6.6	7.6	8.6	9.5	10.5
<p>* These specifications are based on recommended wire rope of .75" dia EIPS CABLE and 11.9 cu.in./Rev. motor at 2900 psi working pressure.            *Directional control valve: 3-position, 4 way motor spool.            *Winch meets SAE J706.</p>							

**NOTE:** The rated line pulls shown are for the winch only. Consult the wire rope manufacturer for wire rope ratings.

## **WARNINGS:**

**CLUTCH MUST BE TOTALLY ENGAGED BEFORE STARTING THE WINCHING OPERATION.**

**DO NOT START WINCH MOTOR BEFORE ENGAGING CLUTCH.**

**DO NOT DISENGAGE CLUTCH UNDER LOAD.**

**STAY OUT FROM UNDER AND AWAY FROM RAISED LOADS.**

**STAND CLEAR OF CABLE WHILE PULLING. DO NOT TRY TO GUIDE CABLE.**

**DO NOT EXCEED MAXIMUM LINE PULL RATINGS SHOWN IN TABLE.**

**DO NOT USE WINCH TO LIFT, SUPPORT, OR OTHERWISE TRANSPORT PEOPLE.**

**A MINIMUM OF 5 WRAPS OF CABLE AROUND THE DRUM BARREL IS NECESSARY TO HOLD THE LOAD.  
CABLE ANCHOR IS NOT DESIGNED TO HOLD LOAD.**

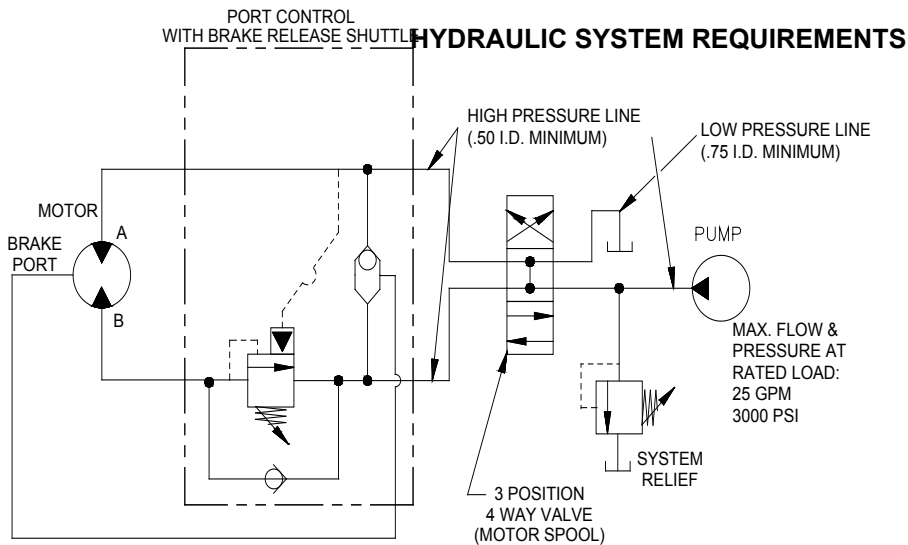
# HYDRAULIC SYSTEM REQUIREMENTS

## HYDRAULIC SYSTEM REQUIREMENTS

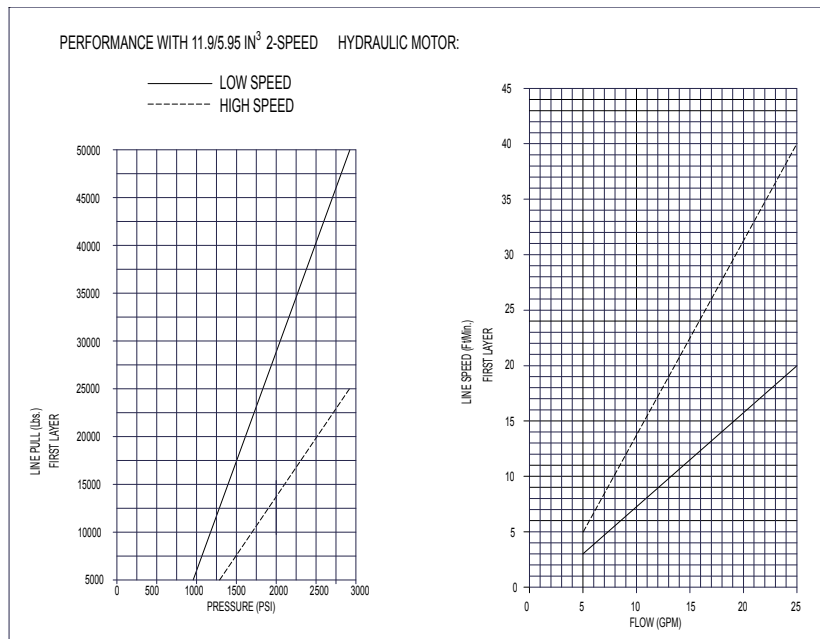
Refer to the performance charts to properly match your hydraulic system to HDP-50000 winch performance. The charts consist of:

- (1) Line pull (lb.) first layer vs. working pressure (PSI) and (2) Line speed (FPM) first layer vs. flow (GPM).
- Performance is based on a motor displacement of 11.9 cubic inches with 25 GPM maximum flow rate. See page 10 for motor port size.

## TYPICAL LAYOUT



## PERFORMANCE CHARTS (BASED ON 11.9 CU. IN./REV MOTOR)



# WINCH OPERATION

## WINCH OPERATION

The best way to get acquainted with how your winch operates is to make test runs before you use it. Plan your test in advance. Remember, you hear your winch, as well as see it operate. Learn to recognize the sounds of a light steady pull, a heavy pull, and sounds caused by load jerking or shifting. Gain confidence in operating your winch and its use will become second nature with you.

The uneven spooling of cable, while pulling a load, is not a problem, unless there is a cable pileup on one end of drum. If this happens, reverse the winch to relieve the load and move your anchor point further to the center of the vehicle. After the job is done you can unspool and rewind for a neat lay of the cable.

## CLUTCH OPERATION

### To engage clutch:

1. Move the clutch control valve to the “clutch engaged” position.
2. Anytime the temperature is below freezing, run the motor in the “cable out” direction only until the drum starts to turn. In extreme cold temperatures (below 0° F/-18° C), pull out on the cable by hand only until the drum starts to turn.
3. Wait at least 3 seconds for the clutch to fully engage, after which the winch is ready to winch in the cable.

**WARNING: Do not attempt to engage the clutch by first running the winch motor and then moving the clutch control valve to the “clutch-engaged” position while the motor is running. Do not start picking up the load at the same time the clutch is being engaged.**

### To disengage clutch:

1. Run the winch in the “cable out” direction until the load is off the cable.
2. Move the clutch control valve to the “clutch-disengaged” position.
3. The cable may now be pulled off by hand.

## CABLE INSTALLATION

1. Unwind cable by rolling it out along the ground to prevent kinking. Securely wrap end of wire rope, opposite hook, with plastic or similar tape to prevent fraying.
2. Insert the end of cable, opposite hook end, into the hole in drum barrel. Secure cable to drum barrel, using setscrew furnished with winch. **TIGHTEN SETSCREW SECURELY.**
3. Carefully run the winch in the “reel-in” direction. Keeping tension on end of cable, spool all the cable onto the cable drum, taking care to form neatly wrapped layers.

# MAINTENANCE

## MAINTENANCE

Adhering to the following maintenance schedule will keep your winch in top condition and performing as it should with a minimum of repair.

### A. WEEKLY

1. Check the oil level and maintain it to the oil level plug. If oil is leaking out, determine location and repair.
2. Check the pressure relief plug in the gear housing cover. Be sure that it is not plugged.
3. Lubricate cable with light oil.

### B. MONTHLY

1. Check the winch mounting bolts. If any are missing, replace them and securely tighten any that are loose. Use grade 5 or better bolts.
2. Inspect the cable. If the cable has become frayed with broken strands, replace immediately.

### C. ANNUALLY

1. Drain the oil from the winch annually or more often if winch is used frequently.
2. Fill the winch to the oil level plug with clean kerosene. Run the winch a few seconds with no load in the reel in direction. Drain the kerosene from the winch.
3. Refill the winch to the oil level plug with all-purpose SAE 75W-90 synthetic gear oil.
4. Inspect frame and surrounding structure for cracks or deformation.

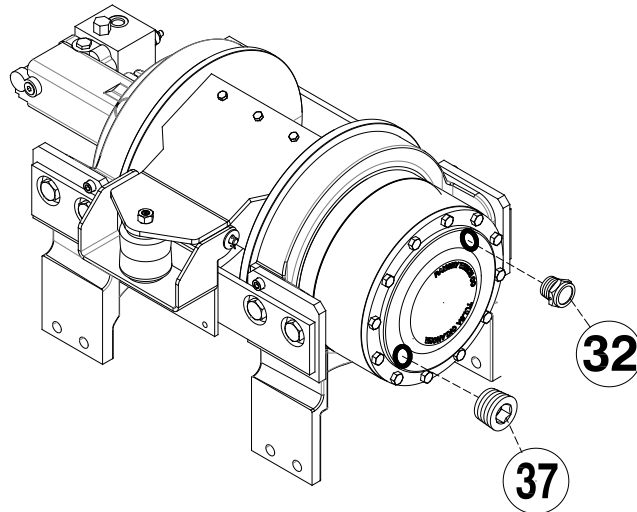
## TROUBLESHOOTING GUIDE

<i>CONDITIONS</i>	<i>POSSIBLE CAUSE</i>	<i>CORRECTION</i>
OIL LEAKS FROM WINCH	<ol style="list-style-type: none"> <li>1. Seals damaged or worn.</li> <li>2. Too much oil.</li> <li>3. Damaged gaskets.</li> </ol>	<ol style="list-style-type: none"> <li>1. Replace seal.</li> <li>2. Drain excess oil. Refer to OPERATION.</li> <li>3. Replace gaskets.</li> </ol>
WINCH RUNS TOO SLOW	<ol style="list-style-type: none"> <li>1. Low flow rate</li> <li>2. Hydraulic motor worn out.</li> </ol>	<ol style="list-style-type: none"> <li>1. Check flow rate. Refer to HYDRAULIC SYSTEMS performance chart page 2.</li> <li>2. Replace motor.</li> </ol>
CABLE DRUM WILL NOT FREE-SPOOL	<ol style="list-style-type: none"> <li>1. Clutch not disengaged</li> </ol>	<ol style="list-style-type: none"> <li>1. Check air pressure to clutch cylinder: 100 PSI Minimum required. Refer to page 10 for port location.</li> </ol>
BRAKE WILL NOT RELEASE	<ol style="list-style-type: none"> <li>1. Brake line disconnected or blocked.</li> </ol>	<ol style="list-style-type: none"> <li>1. Check brake function.</li> </ol>

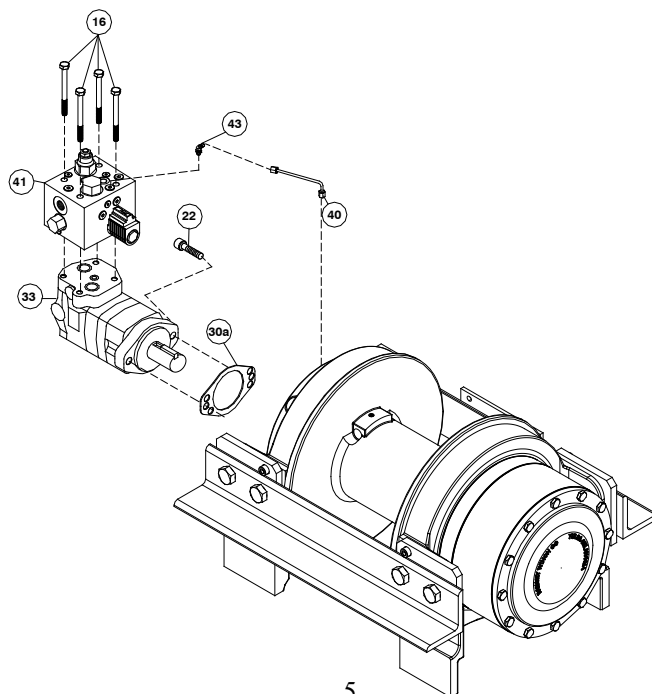
# INSTRUCTIONS FOR OVERHAUL

## DIS-ASSEMBLY

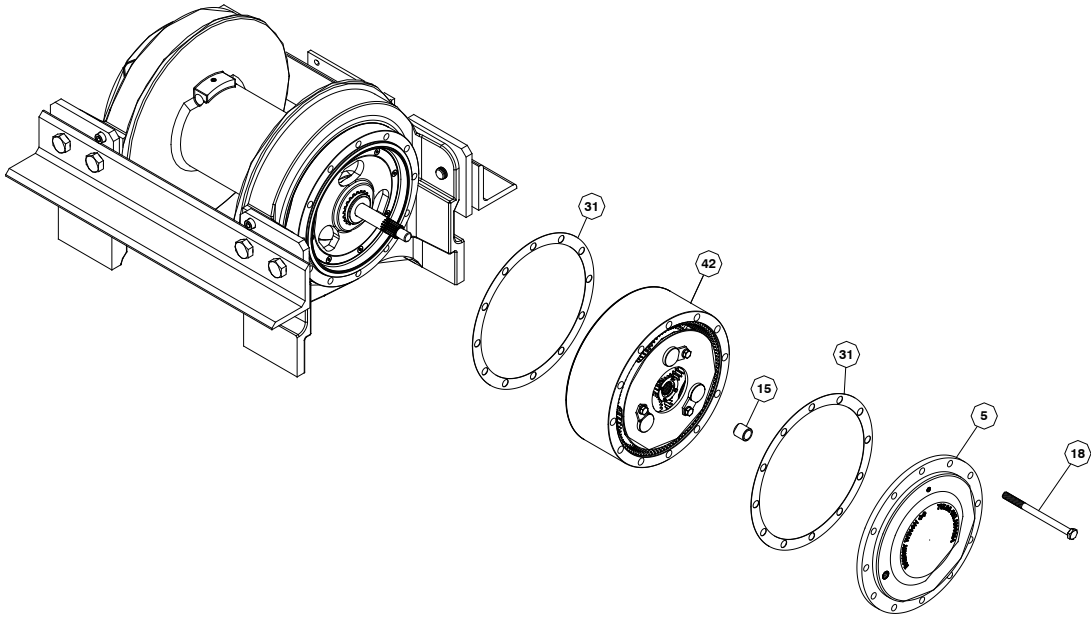
1. Drain oil from gear housing cover by removing pipe plug #37 and relief fitting #32. Remove tensioner assembly.



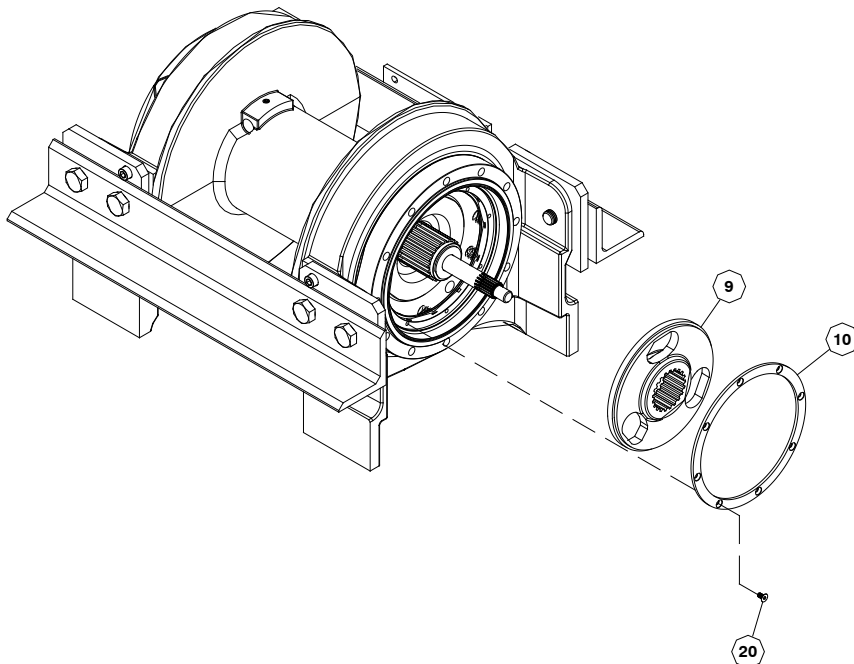
2. Disconnect tube #40 from elbow #43 on valve #41 and fitting #29 on brake #30b. Remove motor #33 and gasket #30a by removing (2) capscrews #22. Remove valve #41, if needed, from motor by loosening (4) capscrews #16.



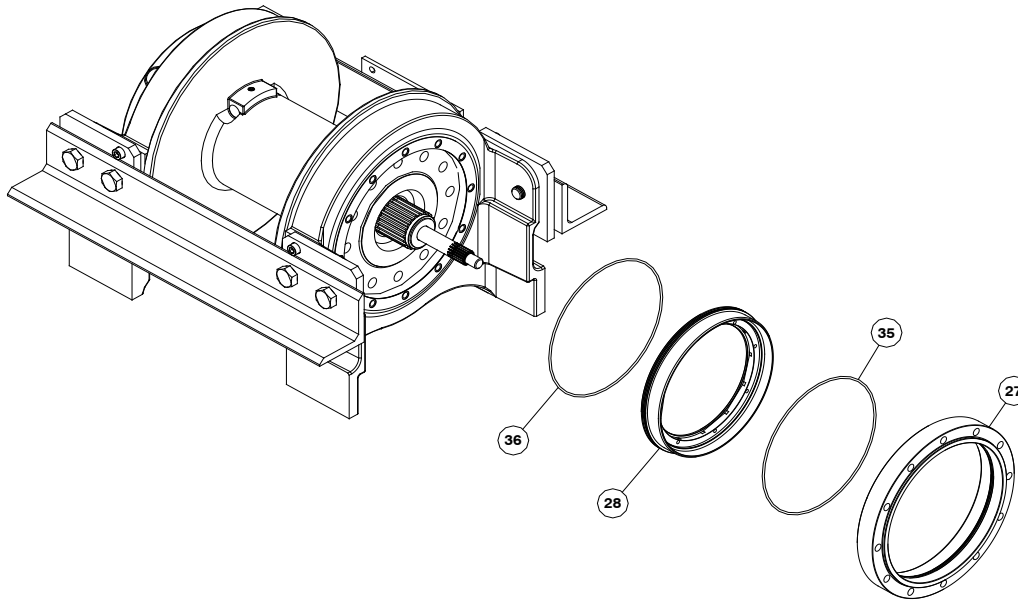
3. Remove (12) capscrews #18 to remove gear housing cover and gasket from ring gear. Remove input thrust washer, sun gear and input carrier assembly from inside ring gear. Remove ring gear and gasket. Remove output carrier assembly. Inspect gear housing cover bushing #15 for damage or wear. Replace if damaged or excessive wear.



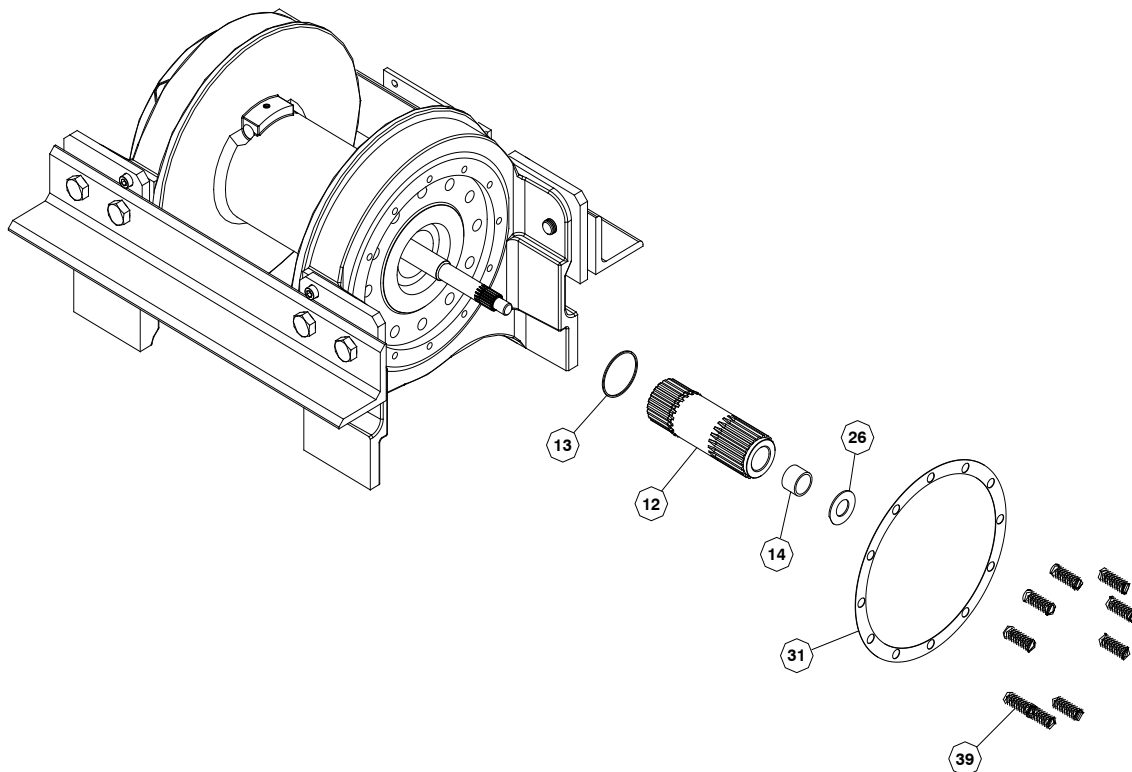
4. Remove (8) capscrews #20 to remove clutch retainer plate #10 from clutch piston. Remove clutch #9.



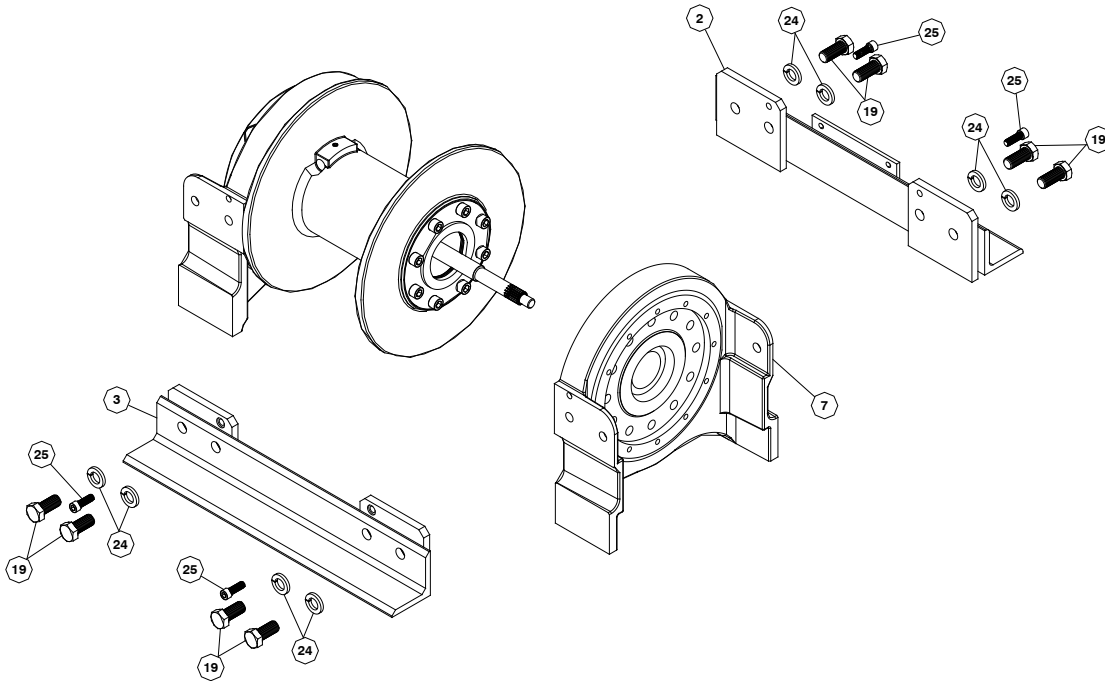
5. Remove clutch housing #27 with piston #28 inside. To remove piston from clutch housing apply air to 1/8" port. Remove o-rings #28 and #35 and inspect for damage or wear.



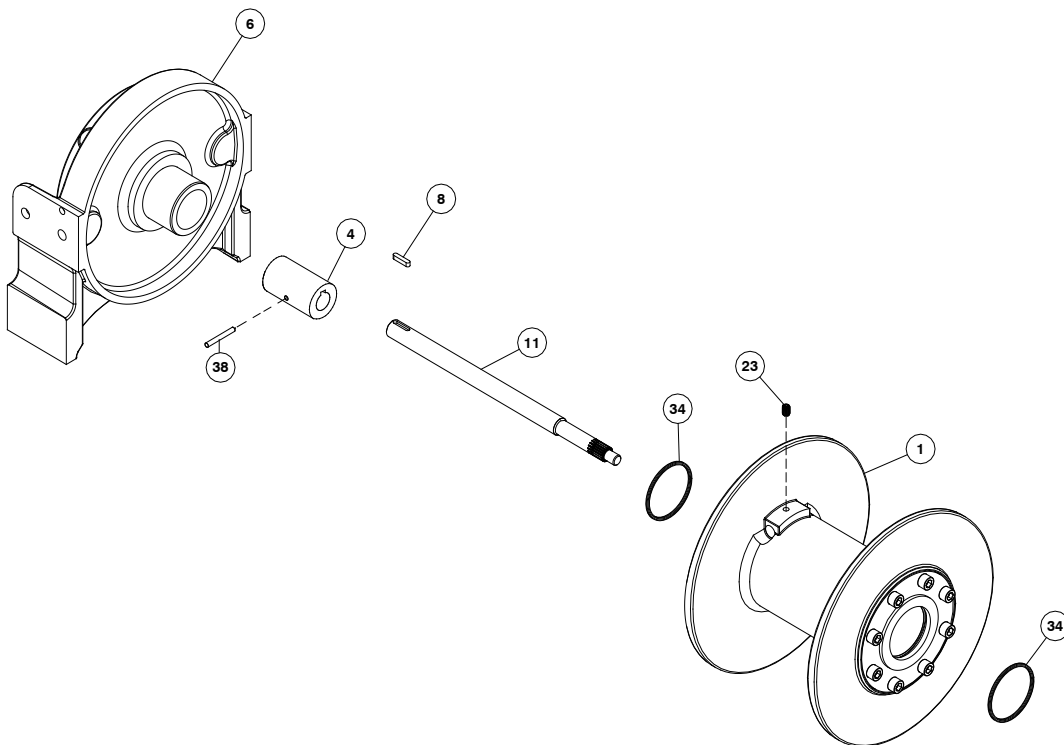
6. Remove (9) springs #39, thrust washer #26, gasket #31, output shaft #12 and spacer #13 from gear end bearing. Inspect output shaft bushing #14 for damage or wear. Replace if damaged or excessive wear.



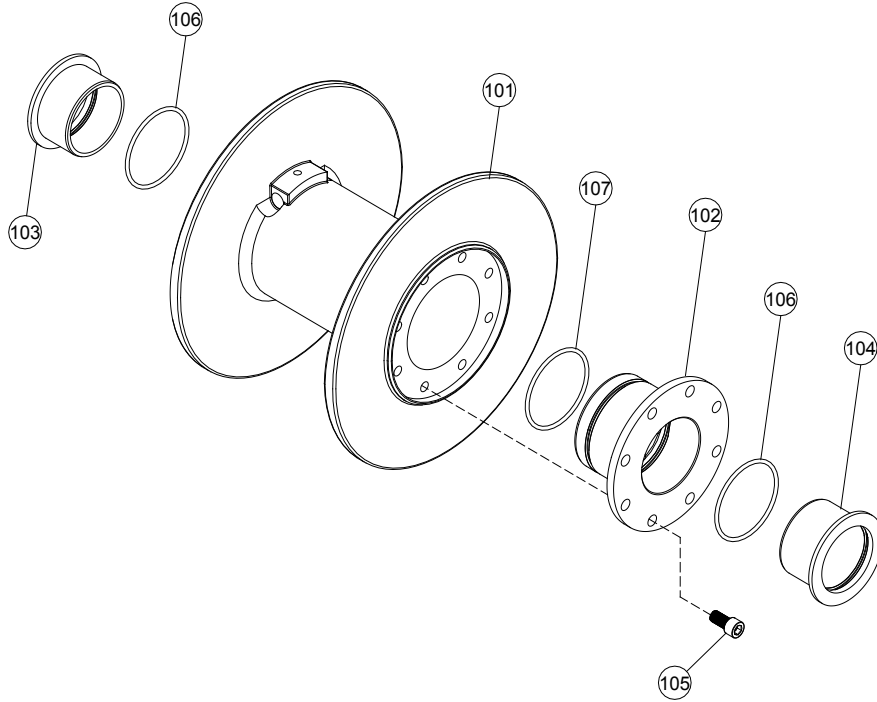
7. Remove winch tie bars #2 and #3 by removing (8) capscrews #19, (8) lock washers #24, and (4) shoulder bolts #25. Pull gear end bearing #7 from drum assembly #1.



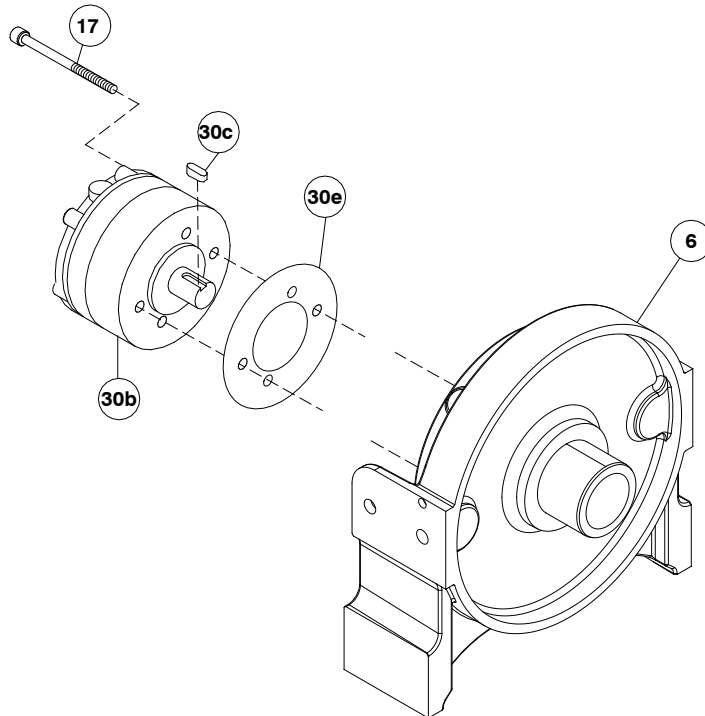
8. Pull drum assembly #1 from end bearing #6. Remove quad-rings #34 from grooves in drum bushings. Remove input shaft #11 from end bearing. Examine splined ends of input shaft for signs of wear, replace if damaged. Examine drum assembly #1 for signs of wear.



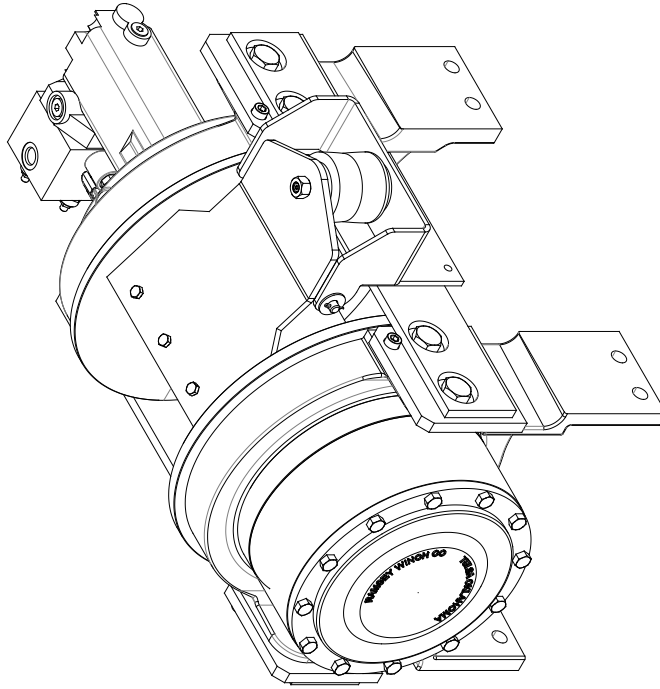
9. If splines inside drum driver #102 are damaged, drum driver must be replaced. Remove drum driver by unscrewing (8) capscrews #105. If bushings show signs of wear, replace by pressing old bushings from drum #101 and removing o-rings from grooves in drum and drum driver. Place well oiled o-rings #106 into driver and drum. Place well oiled o-ring #107 on outside of driver. Press bushings #104 into drum driver until flange is flush and #103 is flush against drum.



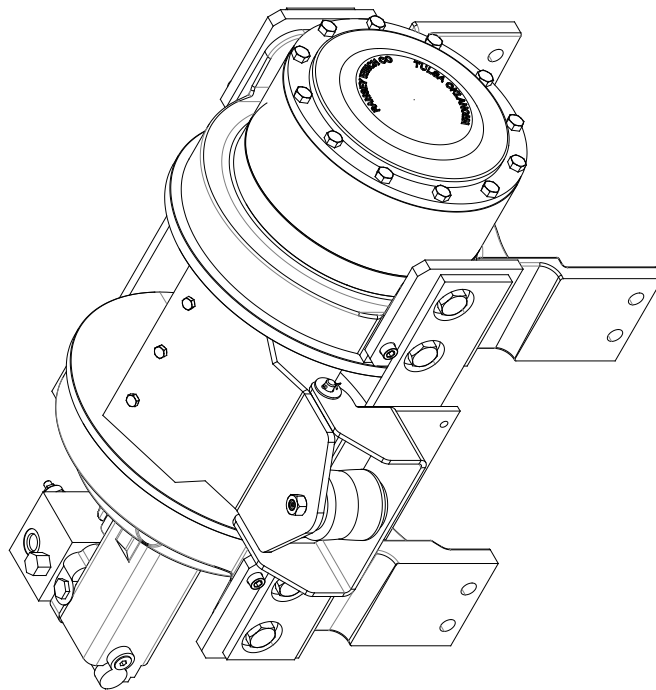
10. Remove brake assembly screws #17 attaching brake #30b to end bearing #6. Remove coupling #4 and gasket #30e from end bearing. Take note of mounting configuration for proper mounting of parts during re-assembly.



# WINCH MOUNTING CONFIGURATION

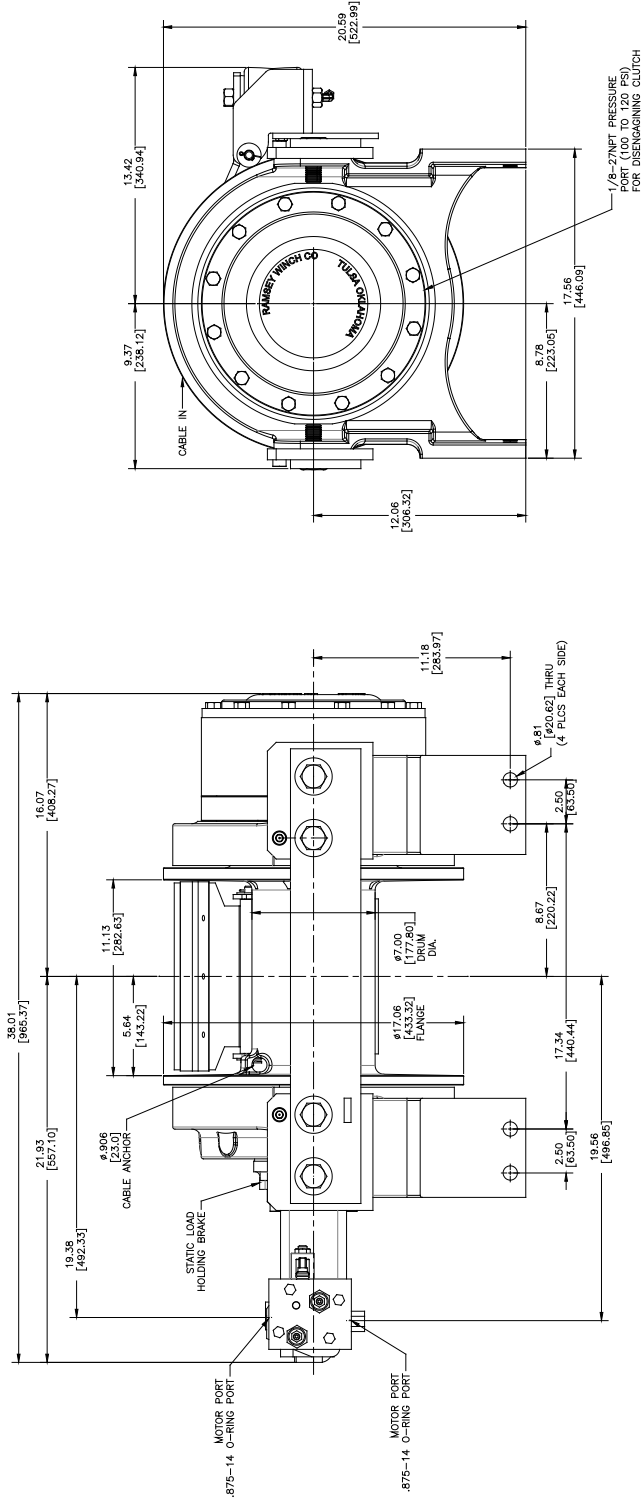


**L.H. MOUNTING  
CONFIGURATION**

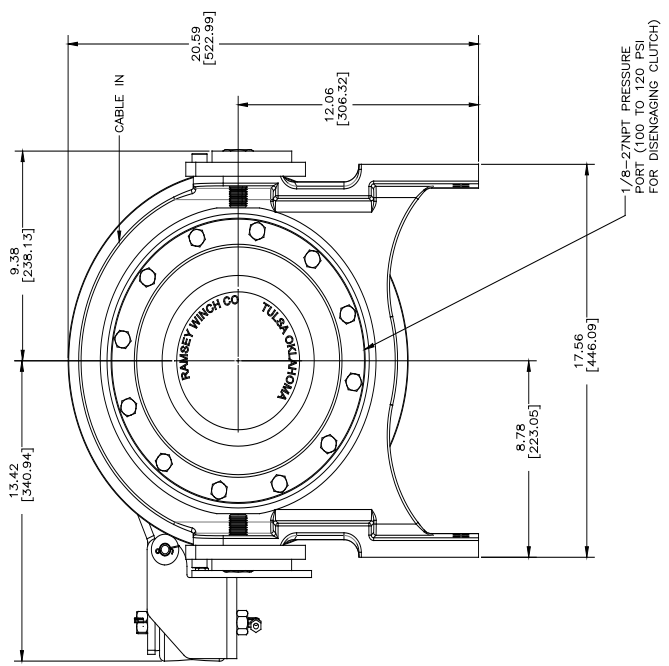
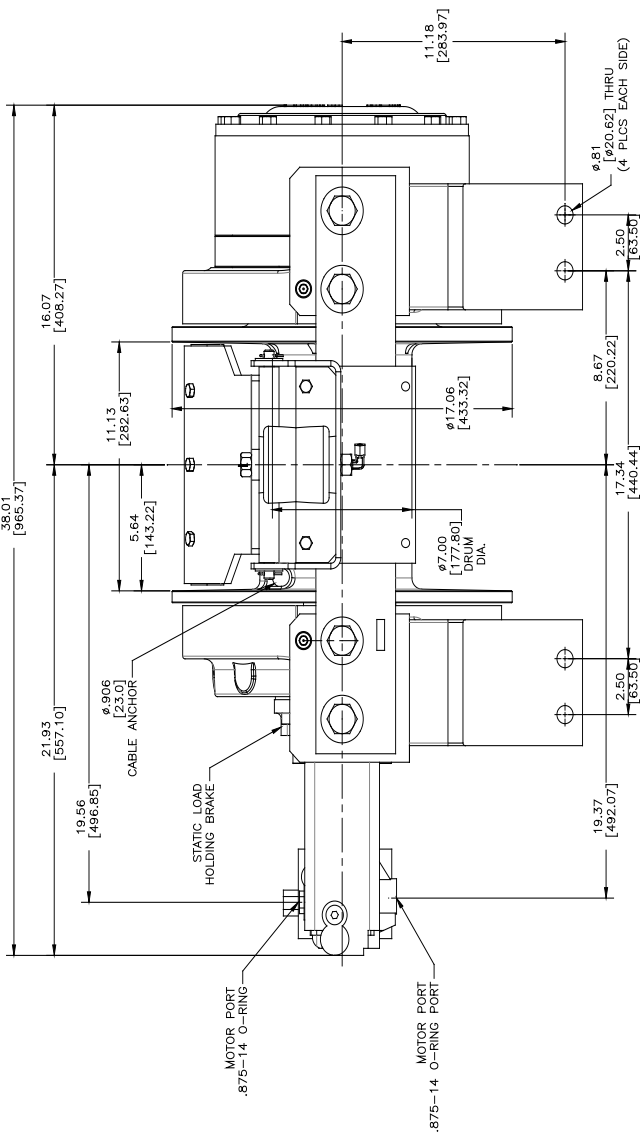


**R.H. MOUNTING  
CONFIGURATION**

# DIMENSIONAL VIEWS

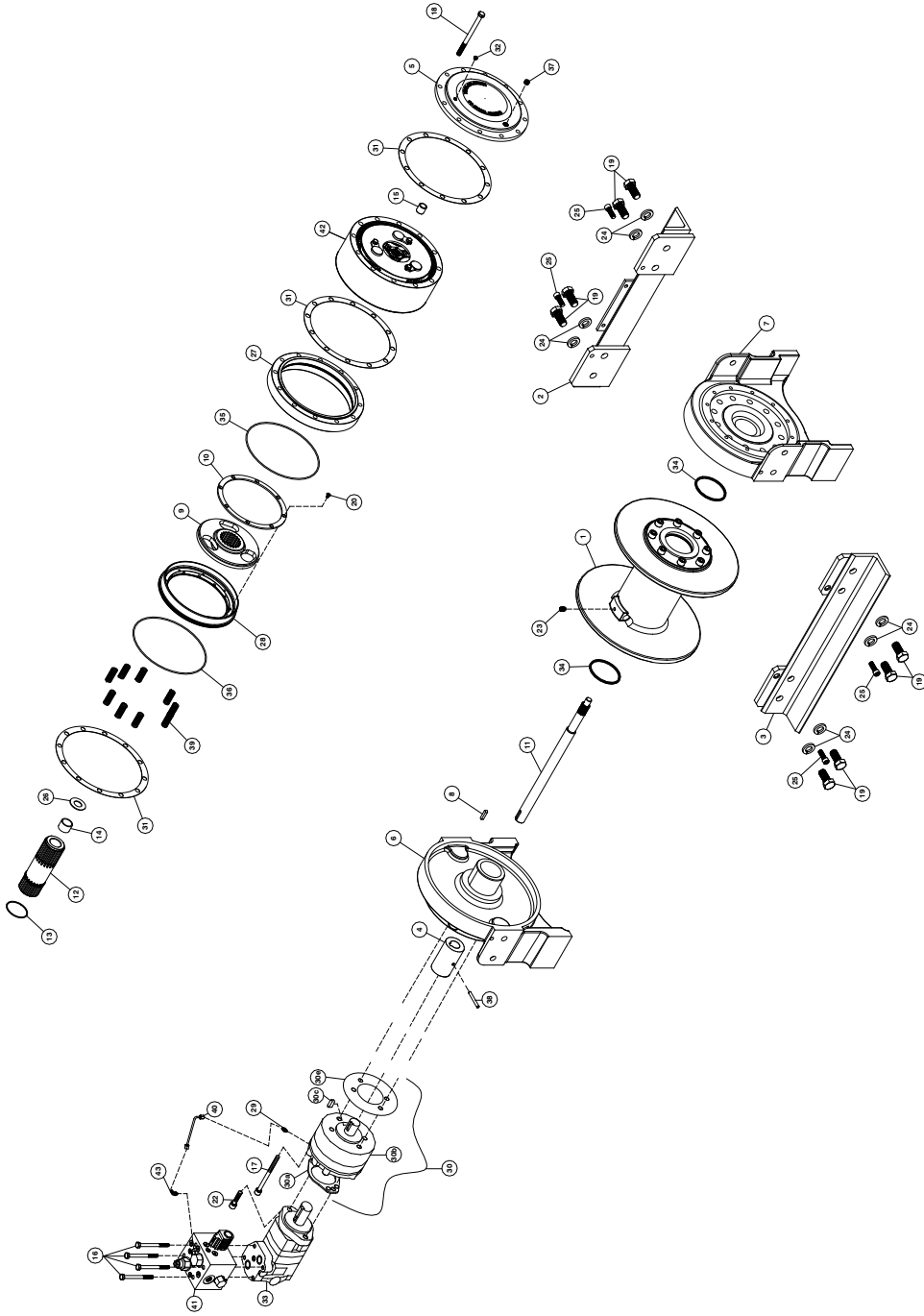


Winch Model HD-P 50,000  
L.H. Configuration shown



Winch Model HD-P 50,000  
R.H. Configuration shown

# EXPLODED VIEW HDP 50,000



**HDP 50,000 WINCH**

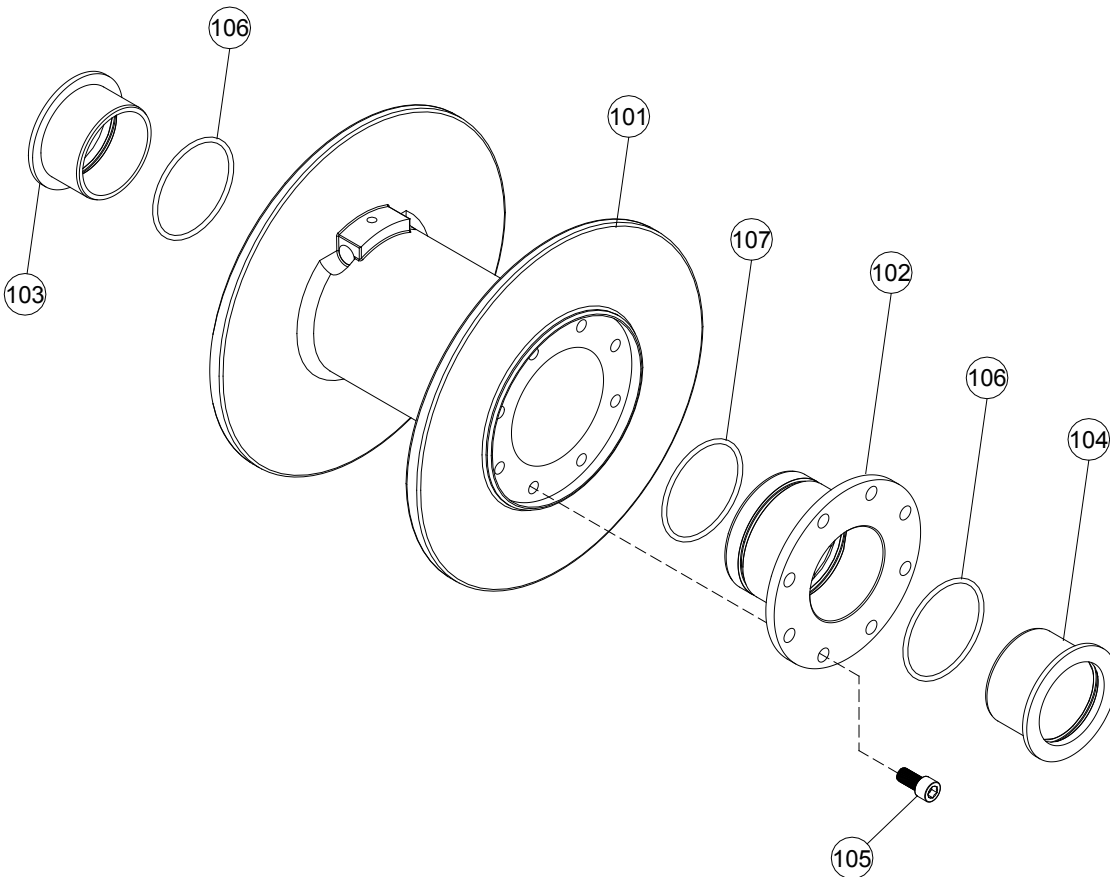
# PARTS LIST - HDP 50,000

Item No.	Qty	Part No.	Description	Item No.	Qty	Part No.	Description
1	1	234191	DRUM ASSEMBLY	26	1	418520	WASHER-THRUST
2	1	243047	MOUNTING ANGLE	27	1	426059	CYLINDER
3	1	243048	MOUNTING ANGLE	28	1	426060	PISTON
4	1	324284	MOTOR COUPLING	29	1	432023	FITTING
5	1	328180	GEAR HOUSING COVER	30	1	438044	BRAKE ASSEMBLY
6	1	338340	MOTOR END BEARING	30a	1		MOTOR END GASKET
7	1	338416	GEAR END BEARING	30b	1		BRAKE
8	2	342081	KEY	30c	1		KEY
9	1	342517	CLUTCH	30e	1		GASKET
10	1	352035	CLUTCH RETAINING RING	31	3	442210	GASKET
11	1	357542	INPUT SHAFT	32	1	456008	RELIEF FITTING
12	1	357543	OUTPUT COUPLING	33	1	458126	MOTOR
13	1	362327	SPACER	34	2	462040	QUAD RING
14	1	412044	BUSHING	35	1	462103	ORING 2-274
15	1	412105	BUSHING	36	1	462104	ORING 2-275
16	4	414400	CAPSCREW-3/8-24NF X4LG.HXHD.GR-5	37	1	468040	PIPE PLUG
17	2	414595	CAPSCREW-1/2-13NC X 3-1/2 LG. SOC HD	38	1	470075	PIN
18	12	414612	CAPSCREW 1/2-13NC X 7 LG HEX HD	39	9	494140	SPRING
19	8	414784	CAPSCREW 7/8-9NC X 2 LG HEX HD	40	1	509125	TUBE ASSEMBLY
20	8	414819	CAPSCREW 1/4-20NC X 1/2 LG FLAT HD	41	1	516025	VALVE-CONTROL ("B" ROTATION)
22	2	414948	CAPSCREW-1/2-13NCX1 1/4LG.SOCKET HD	42	1	530173	GEARBOX
23	1	416072	SETSCREW 1/2-13NC X 3/4 LG	43	1	432018	FITTING - HYD. 7/16-20 90° ELBOW
24	8	418261	LOCKWASHER 7/8 MED SECTION				
25	4	418453	SHOULDER BOLT				

# DRUM ASSEMBLY AND PARTS LIST

## DRUM ASSEMBLY - 234191

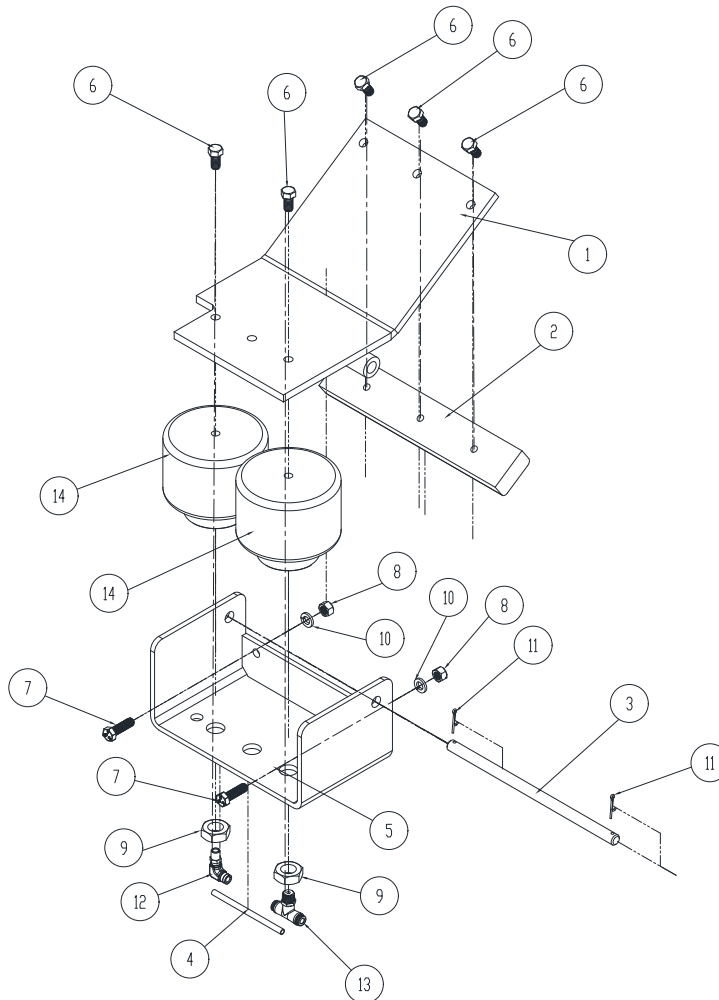
Item No.	Part No.	Quantity	Description
101	332197	1	DRUM-CABLE
102	332226	1	DRIVER-DRUM
103	412078	1	BUSHING-DRUM
104	412079	1	BUSHING-DRUM
105	414978	8	CAPSCREW-5/8-18NC X 1 1/4LG, SOC HD
106	462043	2	O-RING-AS-568-348, 3/16 X 4 3/4 X 4 3/8
107	462075	1	O-RING-AS-568-354, 3/16 X 5 1/2 X 5 1/8



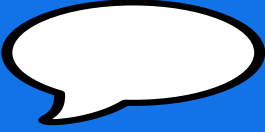
# CABLE TENSIONER AND PARTS LIST

## CABLE TENSIONER (OVERWOUND) - 299754

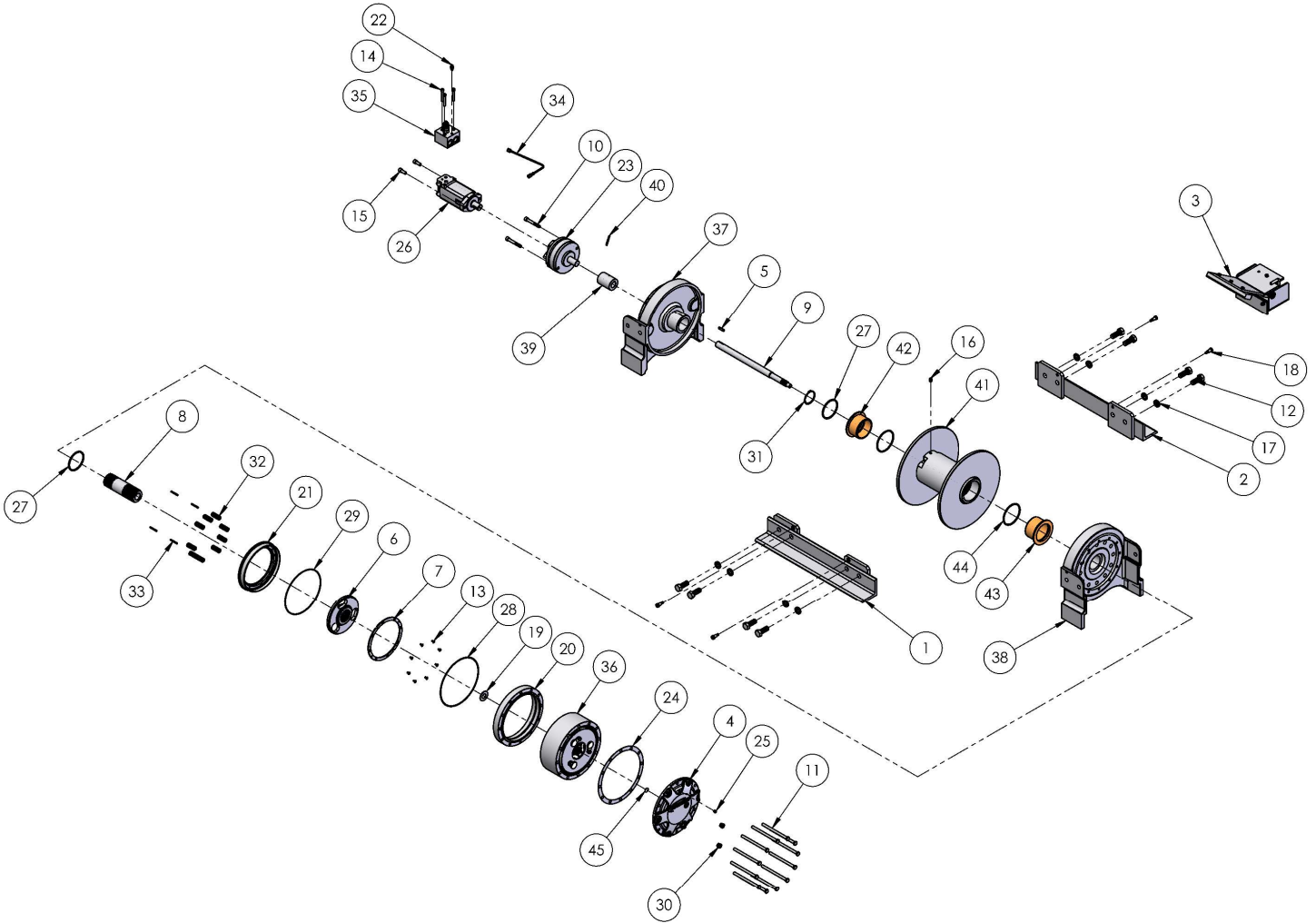
Item No.	Part No.	Quantity	Description
1	265102	1	WELDMENT-TENSIONER PLATE
2	304174	1	RUB BAR
3	346046	1	PIVOT PIN
4	395301	1	TUBE
5	408362	4	BRACKET AIR TENSIONER
6	414278	5	CAPSCREW-3/8 X 3/4
7	414316	2	CAPSCREW
8	418045	2	NUT -3/8
9	418098	2	NUT-3/4-16NF HEX JAM
10	418177	2	LOCKWASHER-3/8 MED SECT, ZINC PLATED
11	424005	2	COTTER PIN
12	432041	1	FITTING-ELBOW
13	433068	1	TEE
14	433029	2	AIR ACTUATOR



# TS AND MAINTENANCE PAR



123664



# KITS AND MAINTENANCE PARTS

**123664**

Item#	QTY.	PART NUMBER	DESCRIPTION	KITS				
				207033	222079	246068	246084	283087
1	1	243076	ASSEMBLY - TIE PLATE					
2	1	243077	ASSEMBLY TIE PLATE					
3	1	299744	ASSEMBLY-AIR TENSIONER					
4	1	328184	COVER GEAR HOUSING					
5	1	342081	KEY-RD ENDS,5/16X5/16X1.5LG	X				X
6	1	342517	CLUTCH		X			
7	1	352035	RING-RETAINING CLUTCH		X			
8	1	357543	COUPLING-OUTPUT					
9	1	357546	SHAFT-INPUT					
10	2	414595	CAPSCREW-1/2-13NC x 3-1/2 LONG, HX SOC HD	X				
11	12	414612	CAPSCREW-1/2-13NCX7 GR5					
12	8	414784	CAPSCREW-7/8-9NC X 2 LG,HEX HD,GR-5					
13	8	414819	BOLT-1/4-20NCX1/2,FLAT SOCHD		X			
14	3	414935	CAPSCREW-3/8-16NCX2 1/2,HXSOCHD					
15	2	414948	CAPSCREW-1/2-13NCX1 1/4LG,SOCKET HD					
16	3	416072	SETSCREW-1/2-13NCX3/4LG HXSOCHD CUP					
17	8	418261	LOCKWASHER-7/8 MED SECTION					
18	4	418453	BOLT-SHOULDER, .50 X.75 LG./375-16					
19	1	418520	WASHER-THRUST ID- DIA 1.063					
20	1	426059	CYLINDER-CLUTCH					
21	1	426060	PISTON-CLUTCH		X			
22	1	432023	FITTING-7/16-20					
23	1	438044	BRAKE-MODULAR	X				
24	3	442210	GASKET		X		X	
25	1	456008	RELIEF FIT-1/8-27PFT					
26	1	458197	MOTOR HYDRAULIC 18.7 CU IN					
27	2	462040	QUAD-RING-4 1/4ODX3 7/8IDX3			X		
28	1	462103	O RING		X	X		
29	1	462104	O RING		X	X		
30	2	468041	PLUG-3/4-16 WITH O-RING, SOC HD					
31	1	490072	RING-RETAINING, EXTERNAL					
32	9	494140	SPRING		X			
33	4	470156	THREADED TAPER PIN		X			
34	1	509125	ASSEMBLY-TUBE, HYDRAULIC BRAKE RELEASE					

# KITS AND MAINTENANCE PARTS

**123664**

Item#	QTY.	PART NUMBER	DESCRIPTION	KITS				
				207033	222079	246068	246084	283087
35	1	516011	VALVE-MTR CONTROL					
36	1	530173	GEARBOX ASSY					
37	1	338419	END BEARING-MOTOR					
38	1	338417	END-BEARING, GEAR					
39	1	324284	COUPLING-MOTOR					X
40	1	470075	PIN-1/4X 2					X
41	1	234248	DRUM ASSEMBLY					
42	1	412078	BUSHING-DRUM					
43	1	412079	BUSHING-DRUM,4 3/8IDX3LG					
44	2	462043	O-RING, 3/16X4 3/4X4 3/8			X		
45	1	518027	THRUST DISC-.035X.922DIA					

**RAMSEY WINCH INDUSTRIAL WINCH  
LIMITED WARRANTY**

**1.1 Scope of Warranty Coverage.** Upon the terms and subject to the conditions set forth in this limited warranty:

- (a) RAMSEY WINCH (referred to herein as “**RAMSEY WINCH**” or the “**Manufacturer**”) warrants to each initial end user customer (a “**Purchaser**”) of a new industrial winch together with any accessories manufactured and sold directly from RAMSEY WINCH (the “**Product**”) that the Product shall be free from defects in material and workmanship, under normal working and service conditions, for a period of eighteen (18) months from the date the Product is shipped from RAMSEY WINCH. (the “**Warranty Term**”). A Purchaser shall be eligible for an additional eighteen (18) months of coverage in addition to the Warranty Term (also referred to as the “**Standard (+) PLUS benefit**”) only if the Purchaser (i) complies with Section 1.2(a) and (ii) registers the Product during the Warranty Term at [myproduct.ramseywinch.com](http://myproduct.ramseywinch.com).
- (b) Notwithstanding the foregoing, this warranty does not cover components damaged by accident, abuse, misuse, neglect, untrained operators, collision, overloading, modification, disassembly, rework, misapplication, improper installation, lack of lubrication or maintenance, or improper service. This warranty does not cover the paint or material finish, rope (wire or synthetic), removal or reinstallation of the winch, or normal wear and tear and loss of functionality due to aging of the Product (which may include but is not limited to bearings, bushings, seals, O-rings, gaskets, brake material, motor brushes, electrical cables and more).

**1.2 Eligibility of Warranty Coverage.**

- (a) A Purchaser shall be eligible for warranty coverage under this Limited Warranty during the Warranty Term only if:
  - (i) Prior to placing a Product in service, and throughout use of the Product during the Warranty Term, the Purchaser provides (or causes to be provided) proper storage such that foreign objects (e.g. rain or debris) cannot enter any Product through entry ports which are normally closed during operation.; and
  - (ii) The Purchaser maintains, or causes to be maintained, the Product according to commercially reasonable standards and utilizes the Product for the purposes for which it was created; and
  - (iii) No repairs or alterations have been made by any party other than RAMSEY WINCH, including Purchaser, unless otherwise authorized in writing by RAMSEY WINCH.

**1.3 Transferability of Warranty.**

- (a) This warranty is transferable only from the Purchaser to the first subsequent transferee (the “**Transferee**”) of the Product from Purchaser upon (i) written notification to RAMSEY WINCH and (ii) registration of the transfer, both within 30 days of such Product transfer.
- (b) Upon satisfaction of transfer requirements set forth in Section 1.3(a), the Transferee shall succeed to all the rights and obligations of the Purchaser set forth in this Limited Warranty.

**1.4 Certain Limitations on Scope of Warranty Service.**

- (a) Any obligation of RAMSEY WINCH under this warranty, statutory or otherwise, is limited to the repair of the Product, at its factory or Authorized Service Centers. Notwithstanding the foregoing, if field service or repair is performed by RAMSEY WINCH at the request of the Purchaser and no defect is found with material or workmanship of the Product, the Purchaser shall compensate RAMSEY WINCH for its time and expenses within thirty (30) days of delivery of an invoice relating to the same. If repair is determined by RAMSEY WINCH in its sole, absolute and uncontrolled discretion to be impossible or impractical, then RAMSEY WINCH may satisfy this warranty by replacing the Product. RAMSEY WINCH will not provide any cash payment or credits for defective materials or workmanship.

- (b) Purchaser shall be responsible for any and all freight charges for any Product receiving warranty service under this limited warranty. Any travel time, transportation charges, freight charges, or similar costs incurred by RAMSEY WINCH in connection with the replacement or repair of defective parts, shall, be the responsibility of the Purchaser. If applicable, RAMSEY WINCH shall invoice Purchaser for the total amount of such charges within sixty (60) days of fulfilling its duties under this warranty, payable within thirty (30) days of delivery of such invoice. In no event shall RAMSEY WINCH be liable for bills for service, labor or other expenses that have been incurred by the Purchaser without approval or prior authorization by RAMSEY WINCH for inspection, maintenance, or repair of the Product.
- (c) If a Product is found to be operable upon inspection, the Product, at Purchaser's election, may be either (1) returned to the Purchaser with a service charge from RAMSEY WINCH for inspection, cleaning, and routine replacement of all rubber components and any other parts that show wear; or (2) RAMSEY WINCH can dispose of the product safely.

1.5 **Limitations of Liability.** RAMSEY WINCH shall in no event be liable for punitive, special or consequential damages relating to the Product or this Warranty. RAMSEY WINCH makes no warranty in respect to third-party accessories, upgrades, or additions to the Product.

1.6 **Improving Product.** RAMSEY WINCH reserves the right to improve the Product through changes in design or materials as it may deem desirable or necessary without being obligated to incorporate, upgrade, or otherwise modify previously manufactured products.

1.7 **Limitations of Warranty.**

- (a) THE WARRANTY SET FORTH ABOVE IS THE ONLY EXPRESS WARRANTY. RAMSEY WINCH HEREBY DISCLAIMS AND EXCLUDES ANY OTHER EXPRESS, IMPLIED, OR STATUTORY WARRANTIES, ARISING BY OPERATION OF LAW, COURSE OF DEALING, COURSE OF PERFORMANCE, USAGE, OF TRADE, OR OTHERWISE, INCLUDING, WITHOUT LIMITATION, ANY WARRANTIES OF MERCHANTABILITY, FITNESS FOR A PARTICULAR PURPOSE, AND INTELLECTUAL PROPERTY RIGHTS OF A THIRD PARTY.
- (b) ANY IMPLIED WARRANTY WHICH BY LAW MAY NOT BE EXCLUDED IS LIMITED IN DURATION TO ONE (1) YEAR FROM THE DATE OF ORIGINAL RETAIL PURCHASE OF THE PRODUCT.
- (c) This warranty gives you specific legal rights, and you may also have other rights which vary from jurisdiction to jurisdiction.
- (d) This warranty is valid only in the U.S.A. and Canada. For warranty outside the U.S.A. and Canada contact your nearest Ramsey Winch Distributor.

1.8 **No Modifications to Warranty.** No RAMSEY WINCH dealer, distributor, agent or employee is authorized to make any modification, extension or addition to this warranty.

1.9 **How to Apply for Warranty Coverage.**

All claims are handled by contacting your nearest Ramsey Winch Distributor. For questions, please contact customer support: [rwcustomersupport@ramseyindustries.com](mailto:rwcustomersupport@ramseyindustries.com).

Visit [Dealer Locator - Ramsey Winch](#) for Ramsey Winch Distributor locations and contact information.

Additional warranty, service support, product information, and parts information can be found on [www.ramseywinch.com](http://www.ramseywinch.com).

# NOTES

# NOTES

