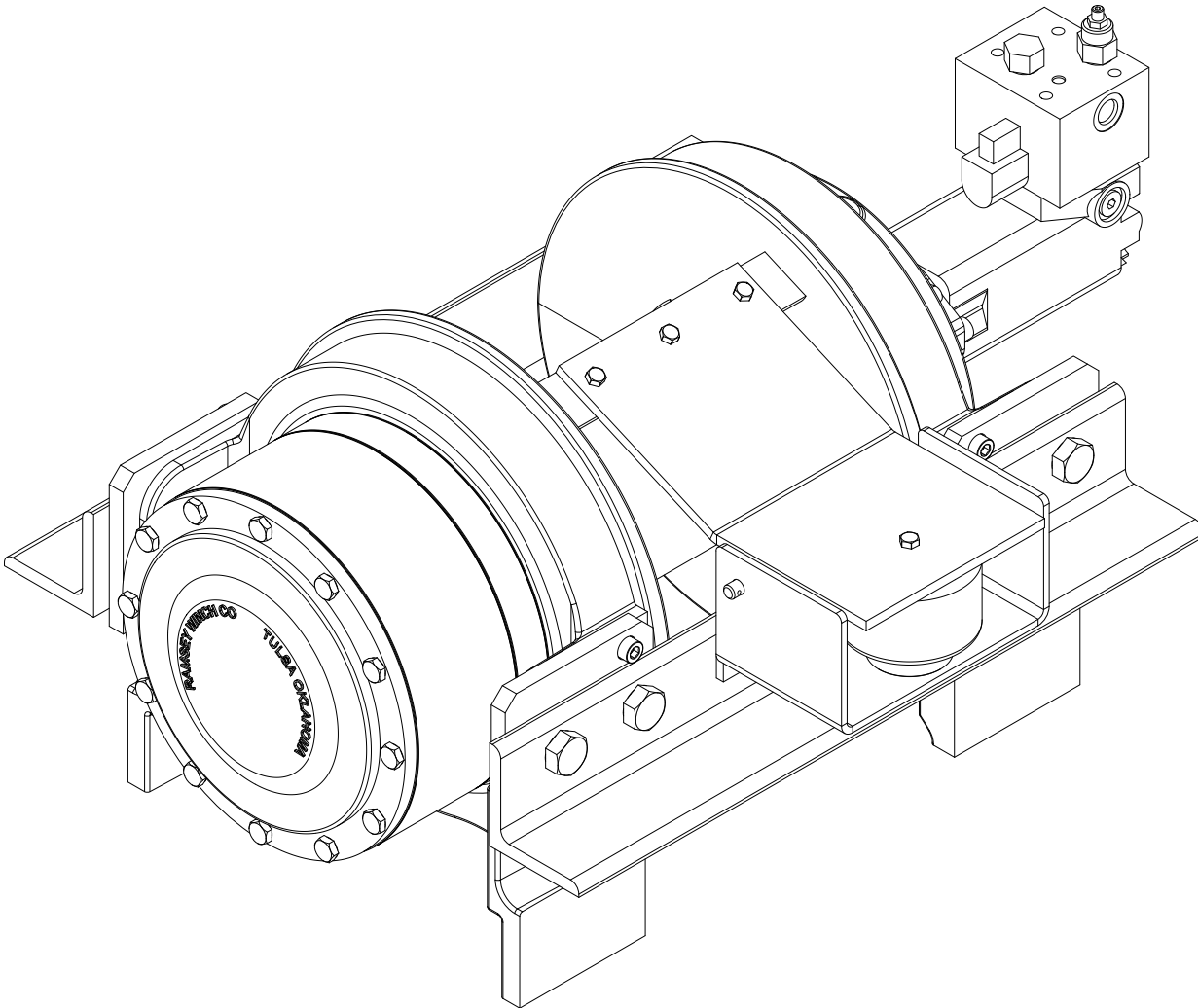




# OPERATING, SERVICE AND MAINTENANCE MANUAL



## MODEL HD-P40,000 INDUSTRIAL PLANETARY WINCH WITH AIR TENSIONER AND 2 SPEED MOTOR



**CAUTION:** READ AND UNDERSTAND THIS MANUAL BEFORE INSTALLATION AND OPERATION OF WINCH. SEE WARNINGS!

# TABLE OF CONTENTS

INTRODUCTION .....	1
WARRANTY INFORMATION .....	1
SPECIFICATIONS .....	1
WARNINGS .....	1
HYDRAULIC SYSTEM REQUIREM.....	2
PERFORMANCE CHARTS .....	2
WINCH OPERATION .....	3
CLUTCH OPERATION .....	3
CABLE INSTALLATION .....	3
MAINTENANCE .....	4
TROUBLE SHOOTING GUIDE .....	4
INSTRUCTIONS FOR OVERHAUL .....	5-9
MOUNTING CONFIGURATIONS .....	10
DIMENSIONAL DRAWING .....	11
PARTS LIST AND PART DRAWING.....	13-16
LIMITED WARRANTY .....	Last Page



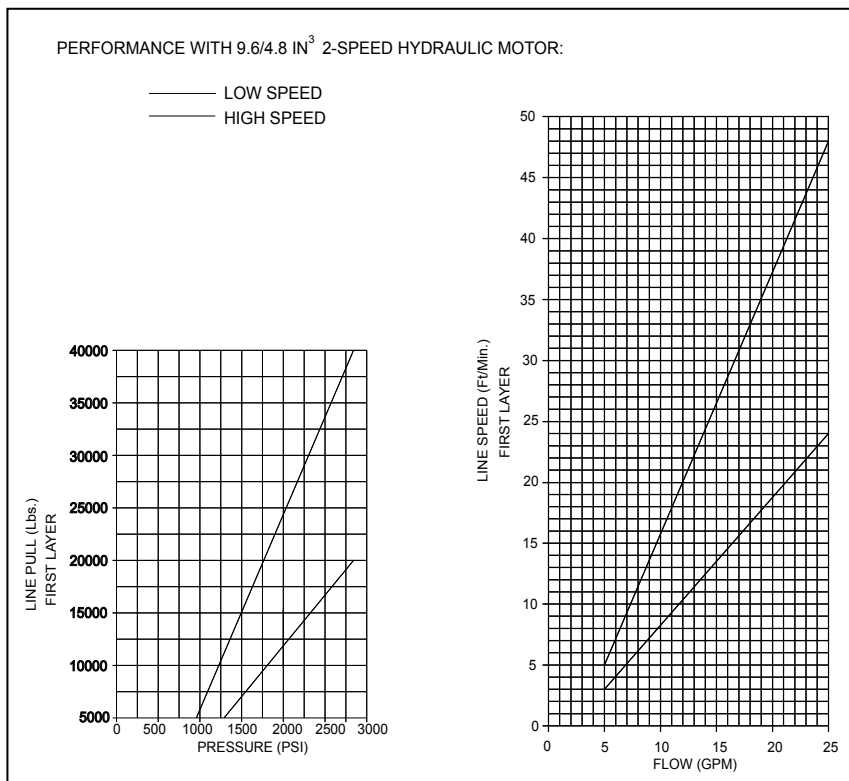
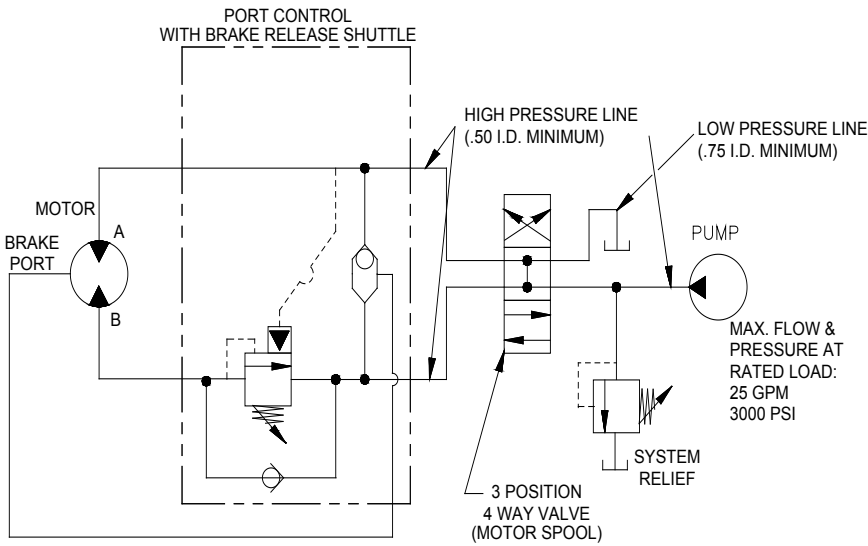
# HYDRAULIC SYSTEMS REQUIREMENTS

## HYDRAULIC SYSTEM REQUIREMENTS

Refer to the performance charts to properly match your hydraulic system to HDP-40000 winch performance. The charts consist of:

- (1) Line pull (lb.) first layer vs. working pressure (PSI) and (2) Line speed (FPM) first layer vs. flow (GPM). Performance is based on a motor displacement of 9.6 cubic inches with 25 GPM maximum flow rate. See page 10 for motor port size.

### TYPICAL LAYOUT



# WINCH OPERATION

## WINCH OPERATION

The best way to get acquainted with how your winch operates is to make test runs before you use it. Plan your test in advance. Remember, you hear your winch, as well as see it operate. Learn to recognize the sounds of a light steady pull, a heavy pull, and sounds caused by load jerking or shifting. Gain confidence in operating your winch and its use will become second nature with you.

The uneven spooling of cable, while pulling a load, is not a problem, unless there is a cable pileup on one end of drum. If this happens, reverse the winch to relieve the load and move your anchor point further to the center of the vehicle. After the job is done you can unspool and rewind for a neat lay of the cable.

## CLUTCH OPERATION

To engage clutch:

1. Move the clutch control valve to the “clutch engaged” position.
2. Anytime the temperature is below freezing, run the motor in the “cable out” direction only until the drum starts to turn. In extreme cold temperatures (below 0° F/-18° C), pull out on the cable by hand only until the drum starts to turn.
3. Wait at least 3 seconds for the clutch to fully engage, after which the winch is ready to winch in the cable.

**WARNING:** Do not attempt to engage the clutch by first running the winch motor and then moving the clutch control valve to the “clutch-engaged” position while the motor is running. Do not start picking up the load at the same time the clutch is being engaged.

To disengage clutch:

1. Run the winch in the “cable out” direction until the load is off the cable.
2. Move the clutch control valve to the “clutch-disengaged” position.
3. The cable may now be pulled off by hand.

## CABLE INSTALLATION

1. Unwind cable by rolling it out along the ground to prevent kinking. Securely wrap end of wire rope, opposite hook, with plastic or similar tape to prevent fraying.
2. Insert the end of cable, opposite hook end, into the hole in drum barrel. Secure cable to drum barrel, using setscrew furnished with winch. **TIGHTEN SETSCREW SECURELY.**
3. Carefully run the winch in the “reel-in” direction. Keeping tension on end of cable, spool all the cable onto the cable drum, taking care to form neatly wrapped layers.

# MAINTENANCE

## MAINTENANCE

Adhering to the following maintenance schedule will keep your winch in top condition and performing as it should with a minimum of repair.

### A. WEEKLY

1. Check the oil level and maintain it to the oil level plug. If oil is leaking out, determine location and repair.
2. Check the pressure relief plug in the gear housing cover. Be sure that it is not plugged.
3. Lubricate cable with light oil.

### B. MONTHLY

1. Check the winch mounting bolts. If any are missing, replace them and securely tighten any that are loose. Use grade 5 or better bolts.
2. Inspect the cable. If the cable has become frayed with broken strands, replace immediately.

### C. ANNUALLY

1. Drain the oil from the winch annually or more often if winch is used frequently.
2. Fill the winch to the oil level plug with clean kerosene. Run the winch a few seconds with no load in the reel in direction. Drain the kerosene from the winch.
3. Refill the winch to the oil level plug with all-purpose SAE 75W-90 synthetic gear oil.
4. Inspect frame and surrounding structure for cracks or deformation.

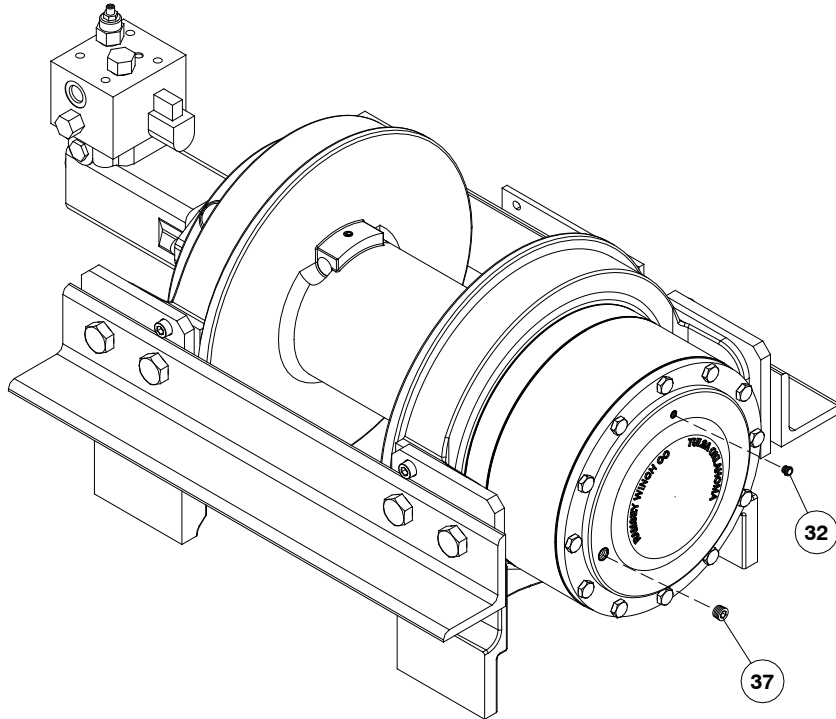
## TROUBLESHOOTING GUIDE

CONDITIONS	POSSIBLE CAUSE	CORRECTION
OIL LEAKS FROM WINCH	<ol style="list-style-type: none"> <li>1. Seals damaged or worn.</li> <li>2. Too much oil.</li> <li>3. Damaged gaskets.</li> </ol>	<ol style="list-style-type: none"> <li>1. Replace seal.</li> <li>2. Drain excess oil. Refer to OPERATION.</li> <li>3. Replace gaskets.</li> </ol>
WINCH RUNS TOO SLOW	<ol style="list-style-type: none"> <li>1. Low flow rate</li> <li>2. Hydraulic motor worn out.</li> </ol>	<ol style="list-style-type: none"> <li>1. Check flow rate. Refer to HYDRAULIC SYSTEMS performance chart page 2.</li> <li>2. Replace motor.</li> </ol>
CABLE DRUM WILL NOT FREE-SPOOL	<ol style="list-style-type: none"> <li>1. Clutch not disengaged</li> </ol>	<ol style="list-style-type: none"> <li>1. Check air pressure to clutch cylinder: 100 PSI Minimum required. Refer to page 10 for port location.</li> </ol>
BRAKE WILL NOT RELEASE	<ol style="list-style-type: none"> <li>1. Brake line disconnected or blocked.</li> </ol>	<ol style="list-style-type: none"> <li>1. Check brake function.</li> </ol>

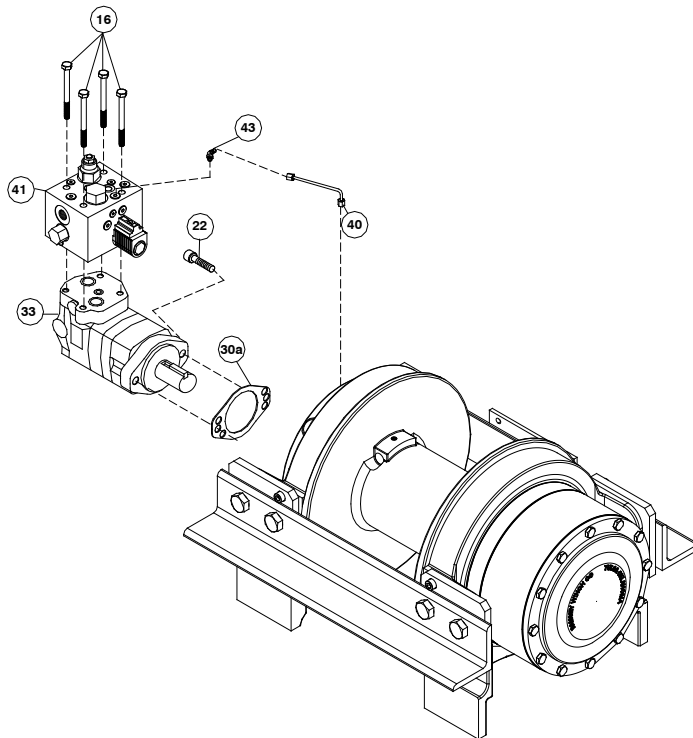
# INSTRUCTIONS FOR OVERHAUL

## DIS-ASSEMBLY

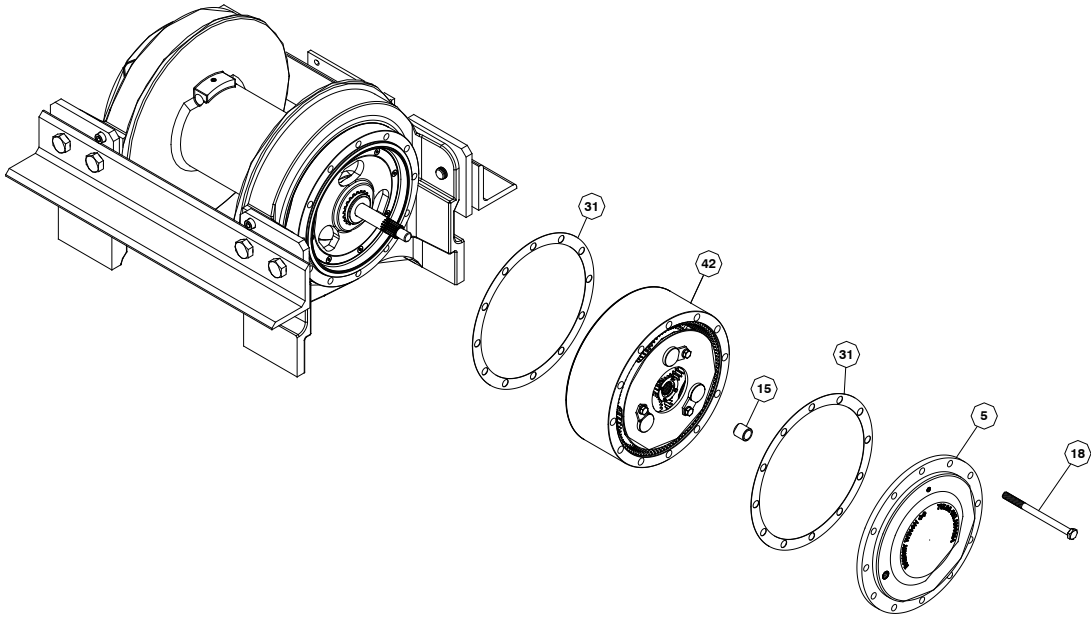
1. Drain oil from gear housing cover by removing pipe plug #37 and relief fitting #32. Remove tensioner assembly.



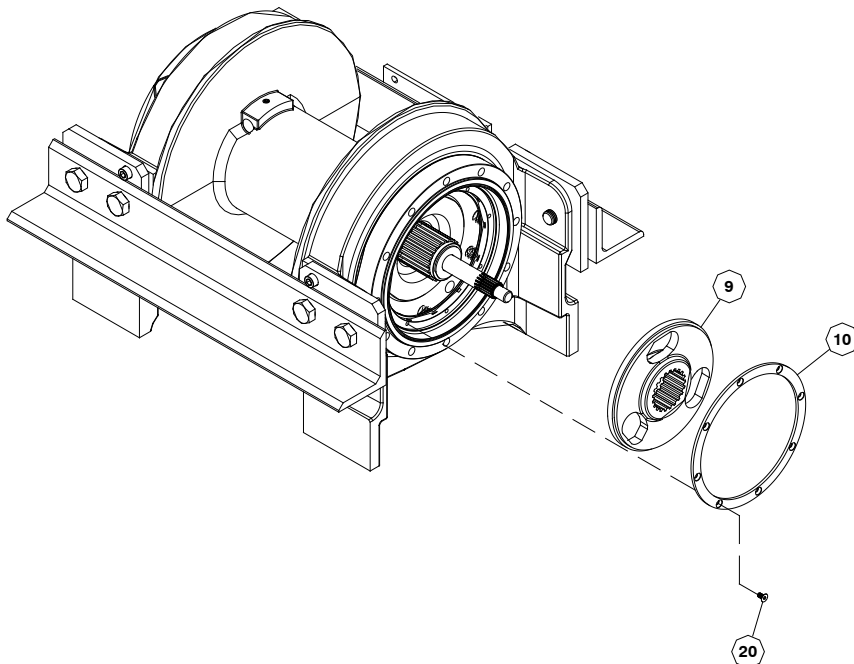
2. Disconnect tube #40 from elbow #43 on valve #41 and fitting #29 on brake #30b. Remove motor #33 and gasket #30a by removing (2) capscrews #22. Remove valve #41, if needed, from motor by loosening (4) capscrews #16.



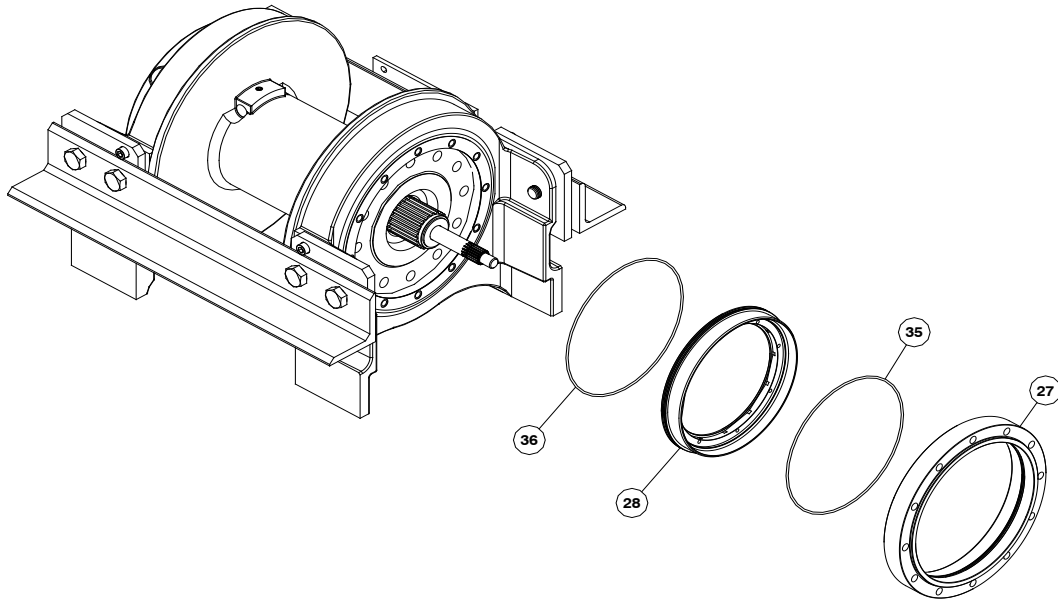
3. Remove (12) capscrews #18 to remove gear housing cover and gasket from ring gear. Remove input thrust washer, sun gear and input carrier assembly from inside ring gear. Remove ring gear and gasket. Remove output carrier assembly. Inspect gear housing cover bushing #15 for damage or wear. Replace if damaged or excessive wear.



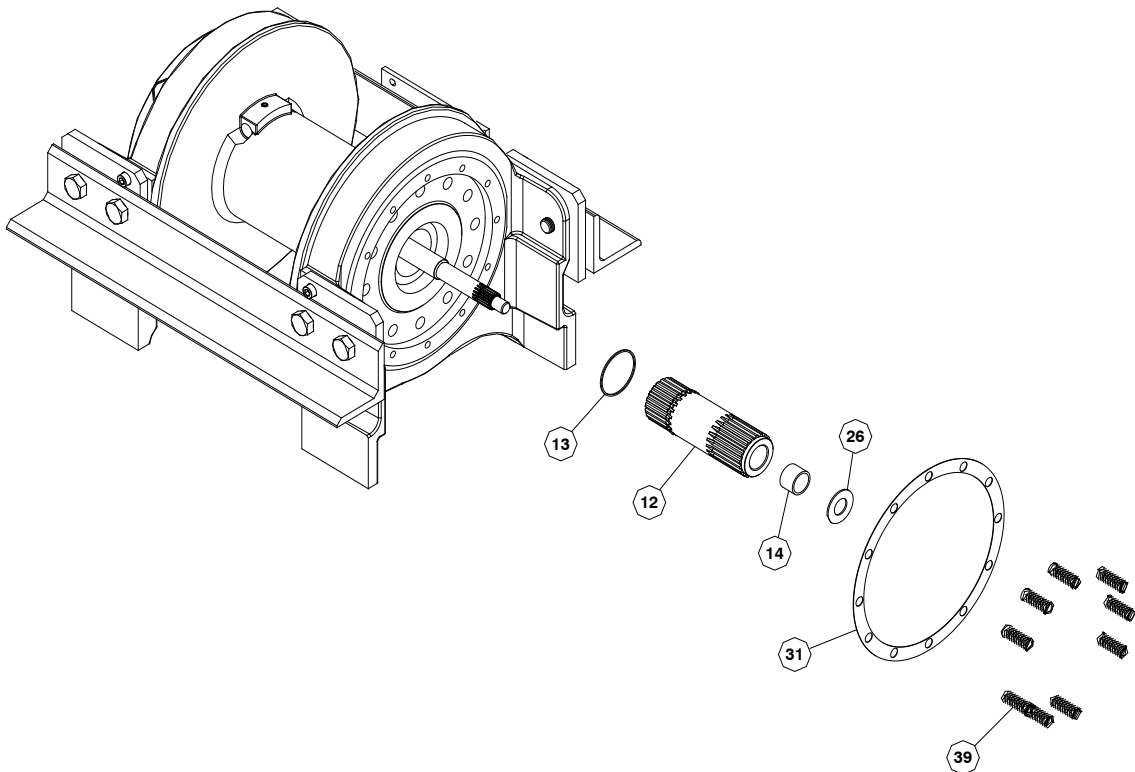
4. Remove (8) capscrews #20 to remove clutch retainer plate #10 from clutch piston. Remove clutch #9.



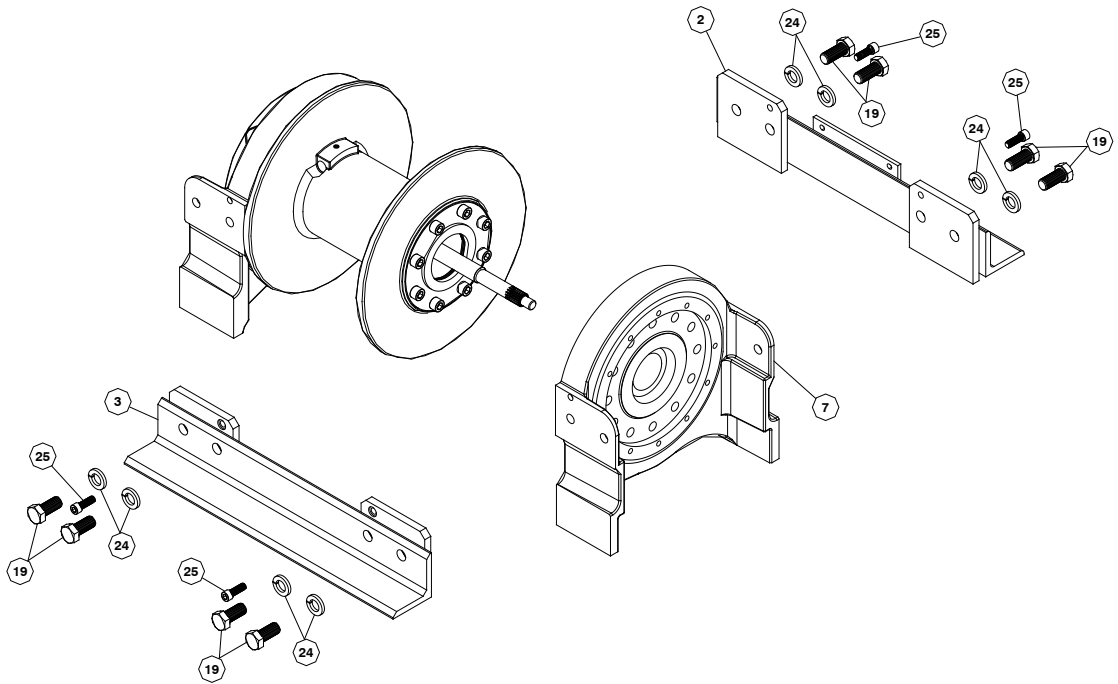
5. Remove clutch housing #27 with piston #28 inside. To remove piston from clutch housing apply air to 1/8" port. Remove o-rings #28 and #35 and inspect for damage or wear.



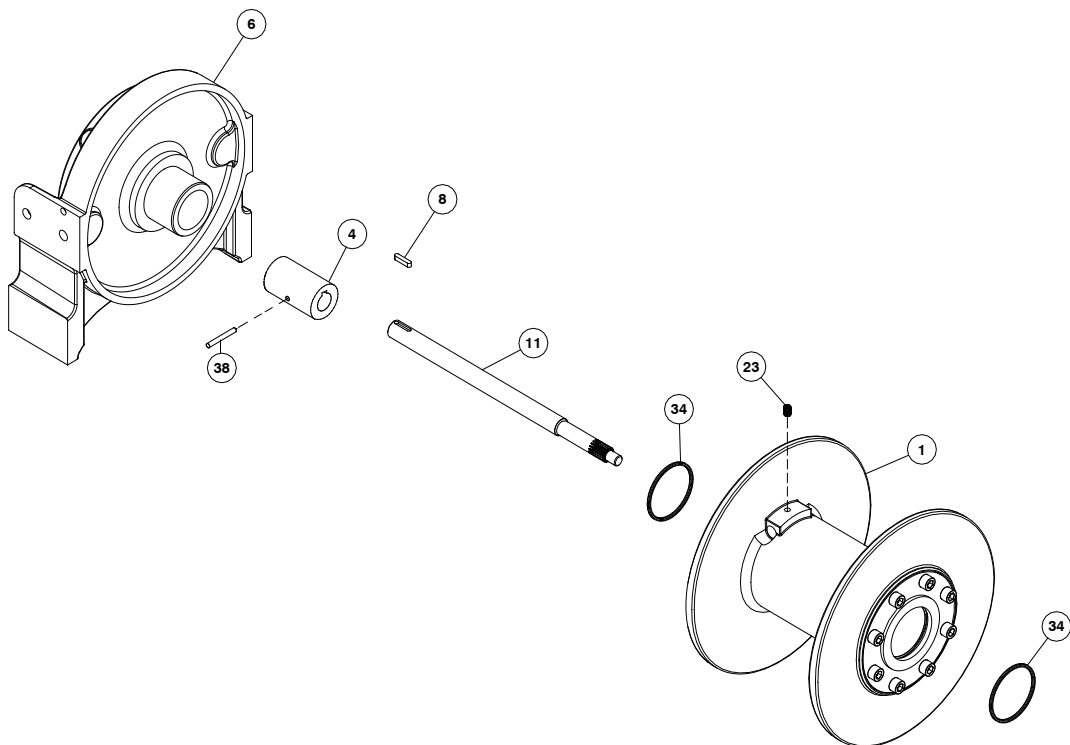
6. Remove (9) springs #39, thrust washer #26, gasket #31, output shaft #12 and spacer #13 from gear end bearing. Inspect output shaft bushing #14 for damage or wear. Replace if damaged or excessive wear.



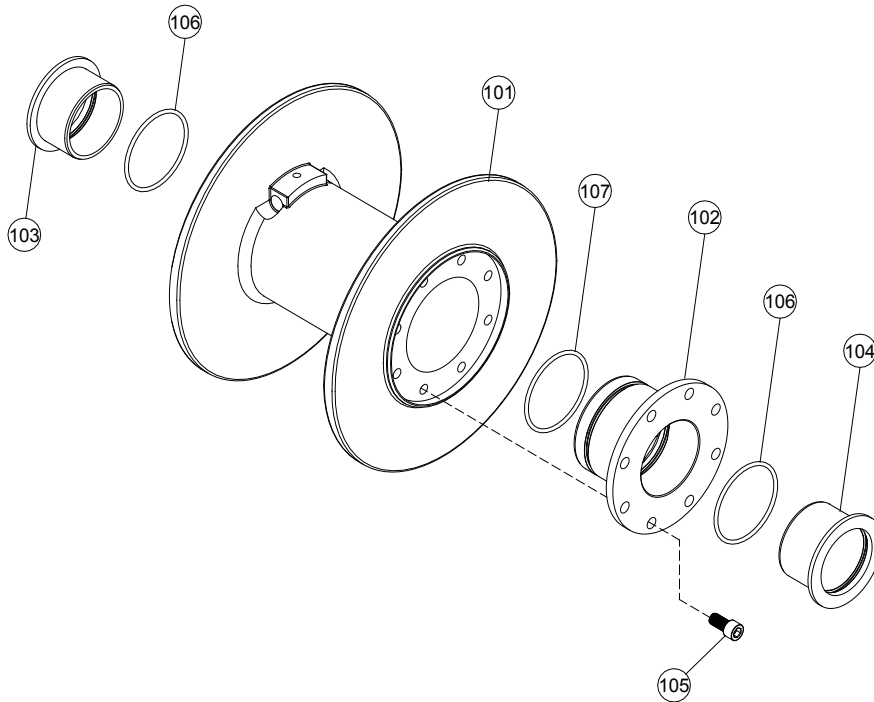
7. Remove winch tie bars #2 and #3 by removing (8) capscrews #19, (8) lock washers # 24, and (4) shoulder bolts #25. Pull gear end bearing #7 from drum assembly #1.



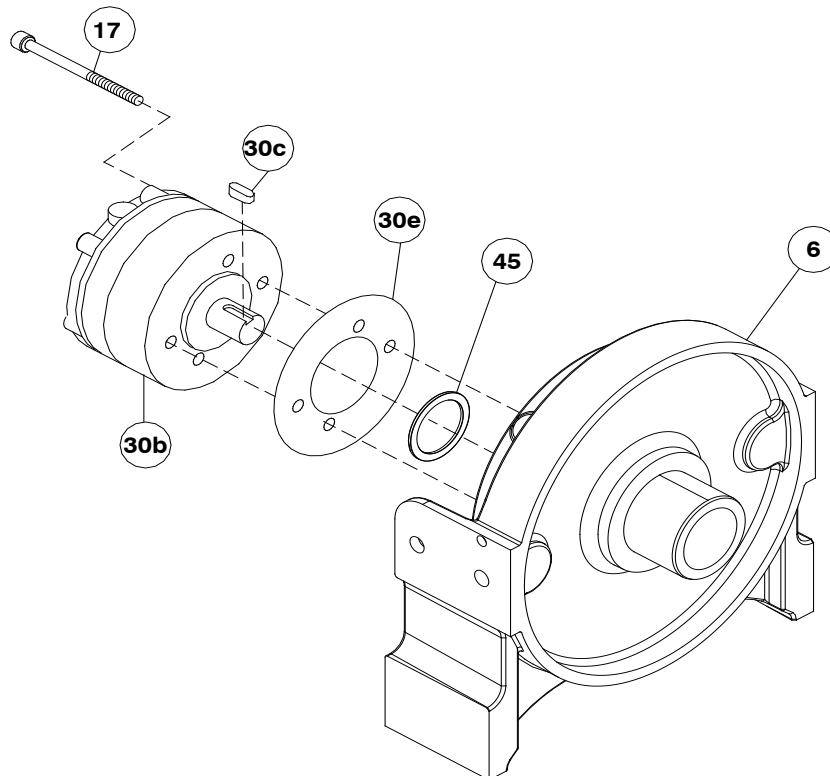
8. Pull drum assembly #1 from end bearing #6. Remove quad-rings #34 from grooves in drum bushings. Remove input shaft #11 and coupling #4 from end bearing. Examine splined ends of input shaft for signs of wear, replace if damaged. Examine drum assembly #1 for signs of wear.



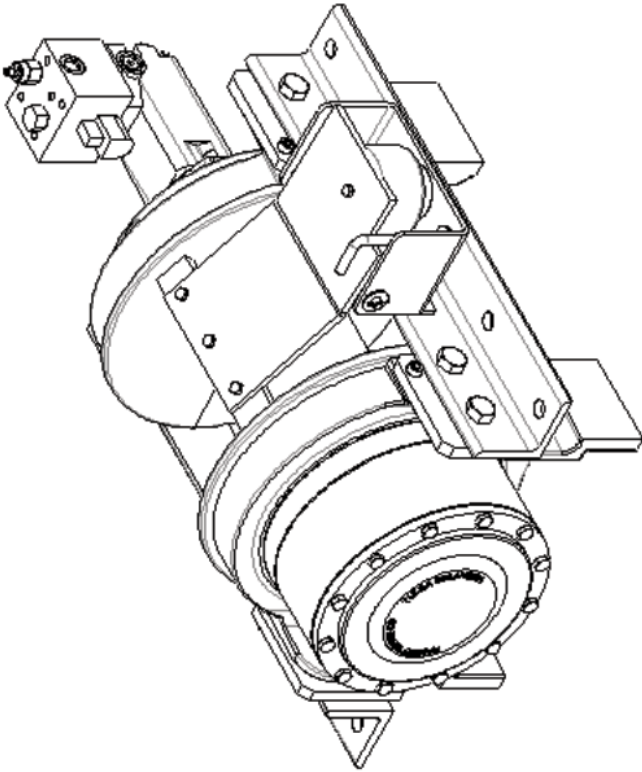
9. If splines inside drum driver #102 are damaged, drum driver must be replaced. Remove drum driver by unscrewing (8) capscrews #105. If bushings show signs of wear, replace by pressing old bushings from drum #101 and removing o-rings from grooves in drum and drum driver. Place well oiled o-rings #106 into driver and drum. Place well oiled o-ring #107 on outside of driver. Press bushings #104 into drum driver until flange is flush and #103 is flush against drum.



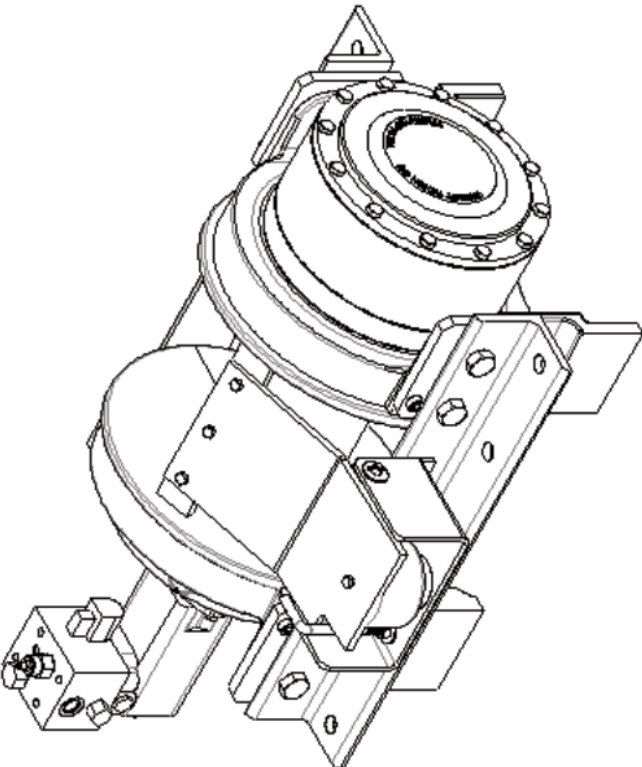
10. Remove brake assembly screws #17 from brake #30b attaching brake to end bearing #6. Remove gasket #30e and retainer plate # 45 from end bearing. Take note of mounting configuration for proper mounting of parts during re-assembly.



# WINCH MOUNTING CONFIGURATION

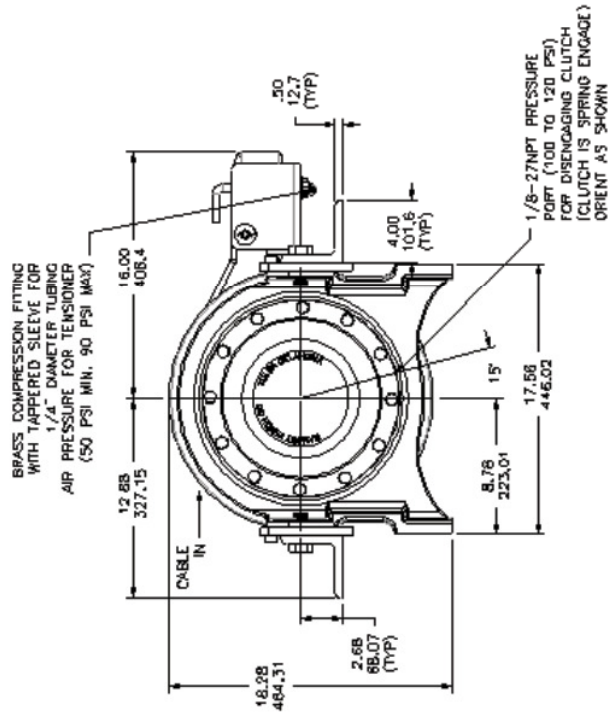
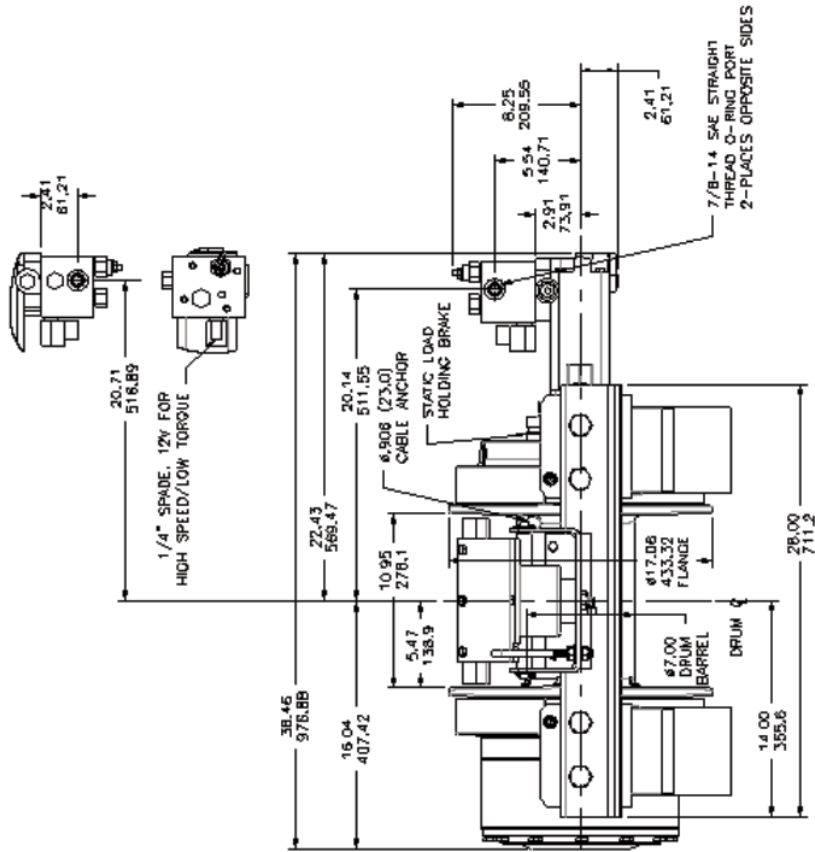


**L.H. MOUNTING  
CONFIGURATION**

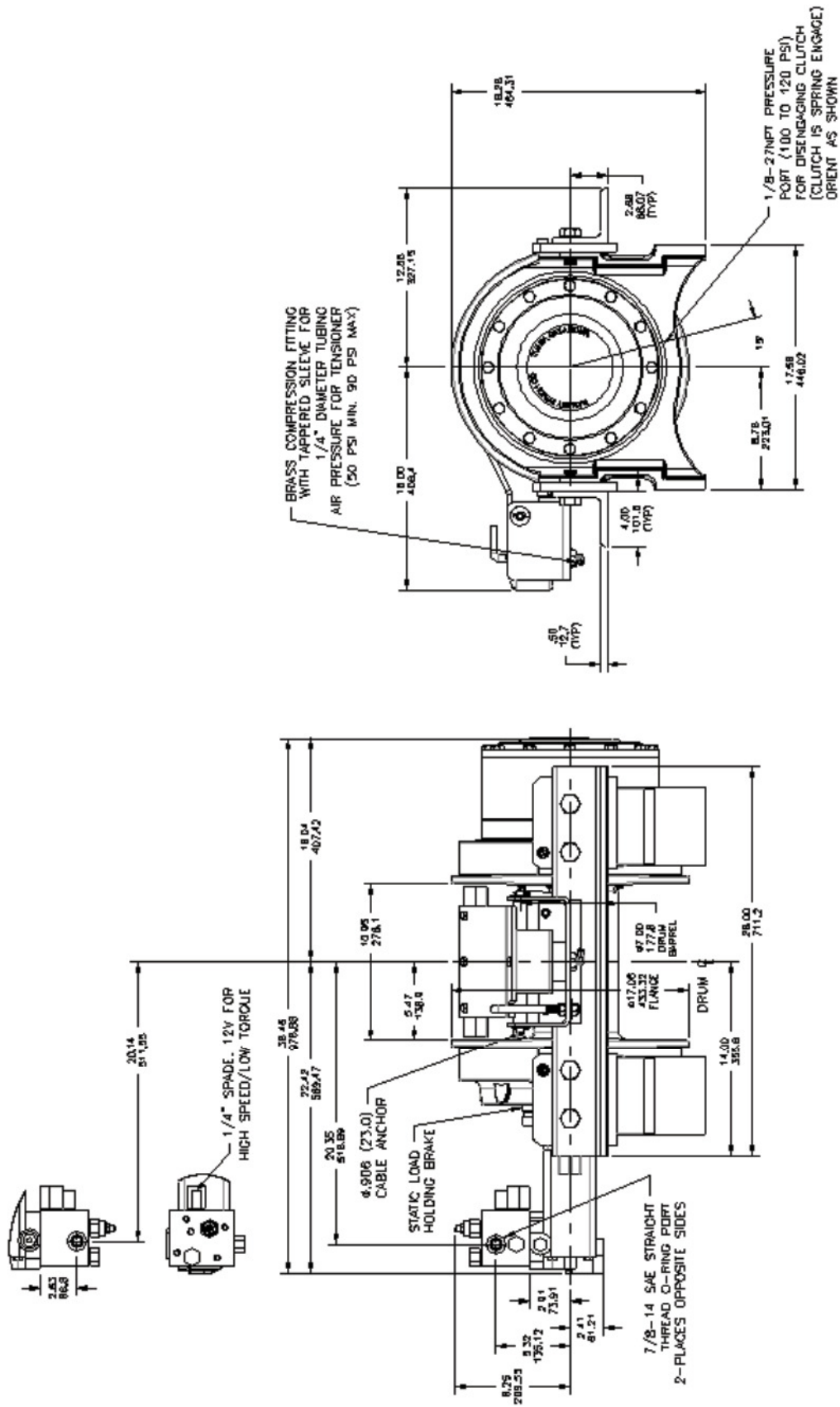


**R.H. MOUNTING  
CONFIGURATION**

# DIMENSIONAL DRAWINGS

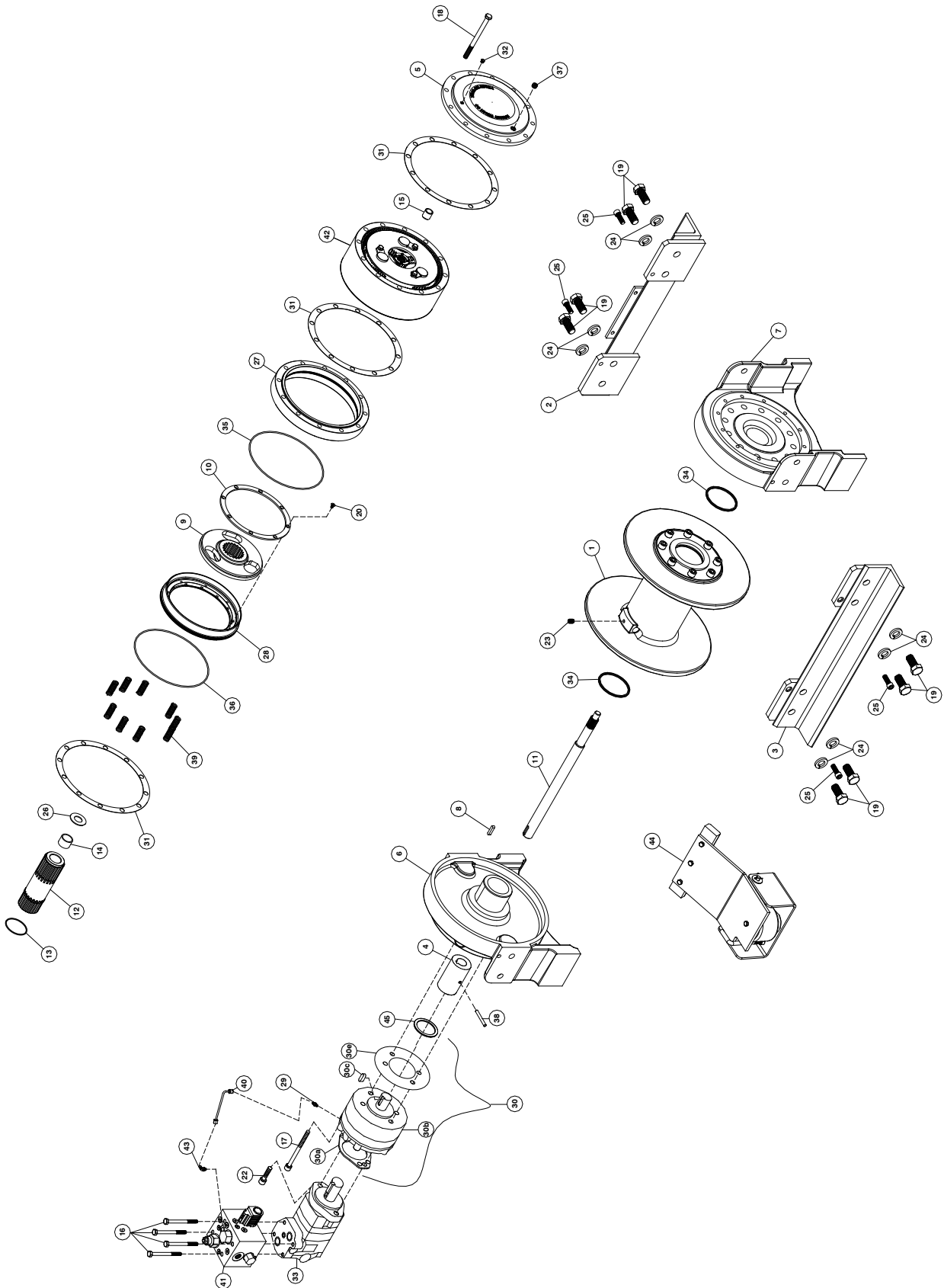


Winch Model HD-P 40,000  
L.H. Configuration shown



Winch Model HD-P 40,000 R.H. Configuration shown

# HDP 40,000 WINCH



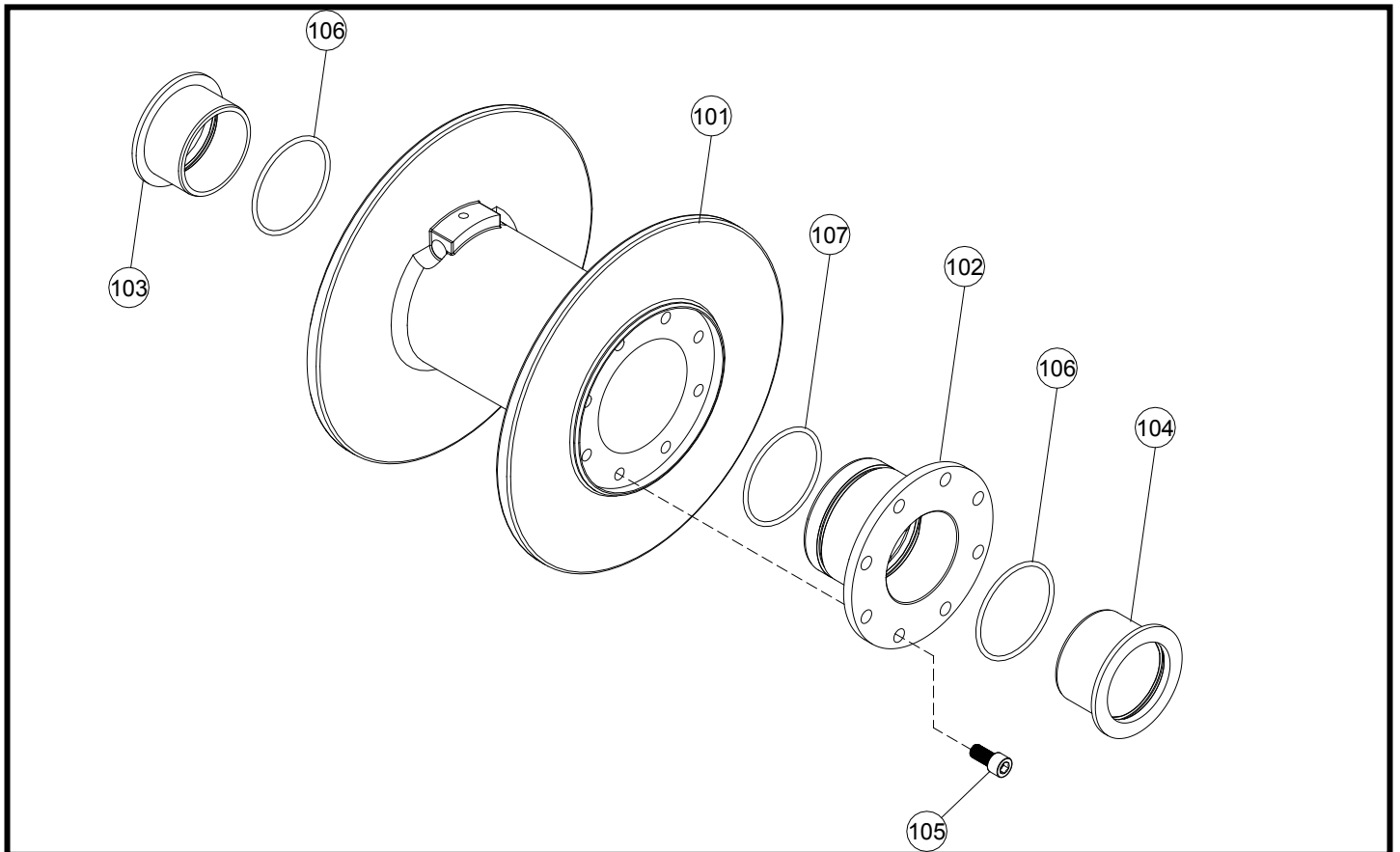
# PARTS LIST - HDP 40,000

Item No.	Qty	Part No.	Description
1	1	234191	DRUM ASSEMBLY
2	1	243047	MOUNTING ANGLE
3	1	243048	MOUNTING ANGLE
4	1	324284	MOTOR COUPLING
5	1	328180	GEAR HOUSING COVER
6	1	338365	MOTOR END BEARING
7	1	338417	GEAR END BEARING
8	1	342081	KEY
9	1	342517	CLUTCH
10	1	352035	CLUTCH RETAINING RING
11	1	357542	INPUT SHAFT
12	1	357543	OUTPUT COUPLING
13	1	362327	SPACER
14	1	412044	BUSHING
15	1	412105	BUSHING
16	4	414400	CAPSCREW-3/8-24NF X4LG,HXHD,GR-5
17	2	414595	CAPSCREW-1/2-13NC x 3-1/2 LONG, HX SOC HD
18	12	414612	CAPSCREW-1/2-13NCX7 GR5,PLTD
19	8	414784	CAPSCREW-7/8-9NC X 2 LG,HEX HD,GR-5
20	8	414819	BOLT-1/4-20NCX1/2,FLAT SOCHD,ND STP
22	2	414948	CAPSCREW-1/2-13NCX1 1/4LG,SOCKET HD
23	1	416072	SETSCREW-1/2-13NCX3/4LG HXSOCHD CUP
24	8	418261	LOCKWASHER-7/8 MED SECTION,ZINC PLT
25	4	418453	BOLT-SHOULDER, .50 X.75 LG./375-16
26	1	418520	WASHER-THRUST
27	1	426059	CYLINDER
28	1	426060	PISTON
29	1	432023	FITTING
30	1	438044	BRAKE ASSEMBLY
30a	1		MOTOR END GASKET
30b	1		BRAKE
30c	1		KEY
31	3	442210	GASKET
32	1	456008	RELIEF FITTING
33	1	458101	MOTOR
34	2	462040	QUAD RING
35	1	462103	O-RING 2-274
36	1	462104	O-RING 2-275
37	1	468040	PIPE PLUG
38	1	470075	PIN
39	9	494140	SPRING
40	1	509125	TUBE ASSEMBLY
41	1	516035	VALVE-CONTROL ("B" ROTATION)
		516036	VALVE-CONTROL ("A" ROTATION)
42	1	530173	GEARBOX
43	1	432018	FITTING- HYD. 7/16-20 90° ELBOW
44	1	299744	TENSIONER ASSEMBLY
45	1	352036	RETAINER PLATE

# DRUM ASSEMBLY AND PARTS

## DRUM ASSEMBLY - 234191

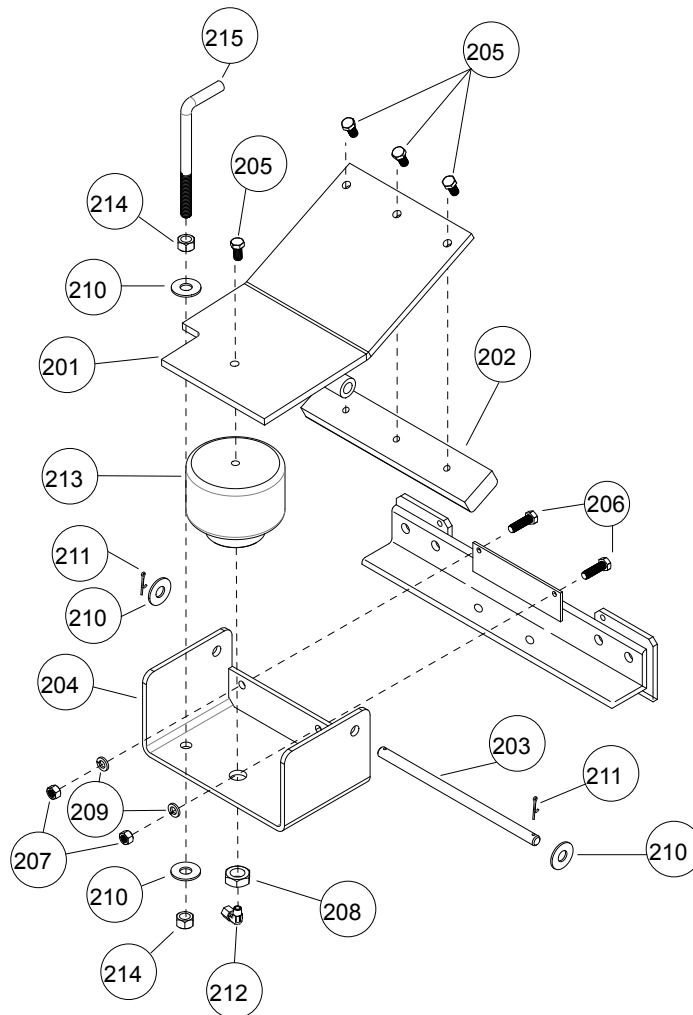
Item No.	Part No.	Quantity	Description
101	332197	1	DRUM-CABLE
102	332226	1	DRIVER-DRUM
103	412078	1	BUSHING-DRUM
104	412079	1	BUSHING-DRUM
105	414978	8	CAPSCREW-5/8-18NC X 1 1/4LG, SOC HD
106	462043	2	O-RING-AS-568-348, 3/16 X 4 3/4 X 4 3/8
107	462075	1	O-RING-AS-568-354, 3/16 X 5 1/2 X 5 1/8



# CABLE TENSIONER / PARTS LIST

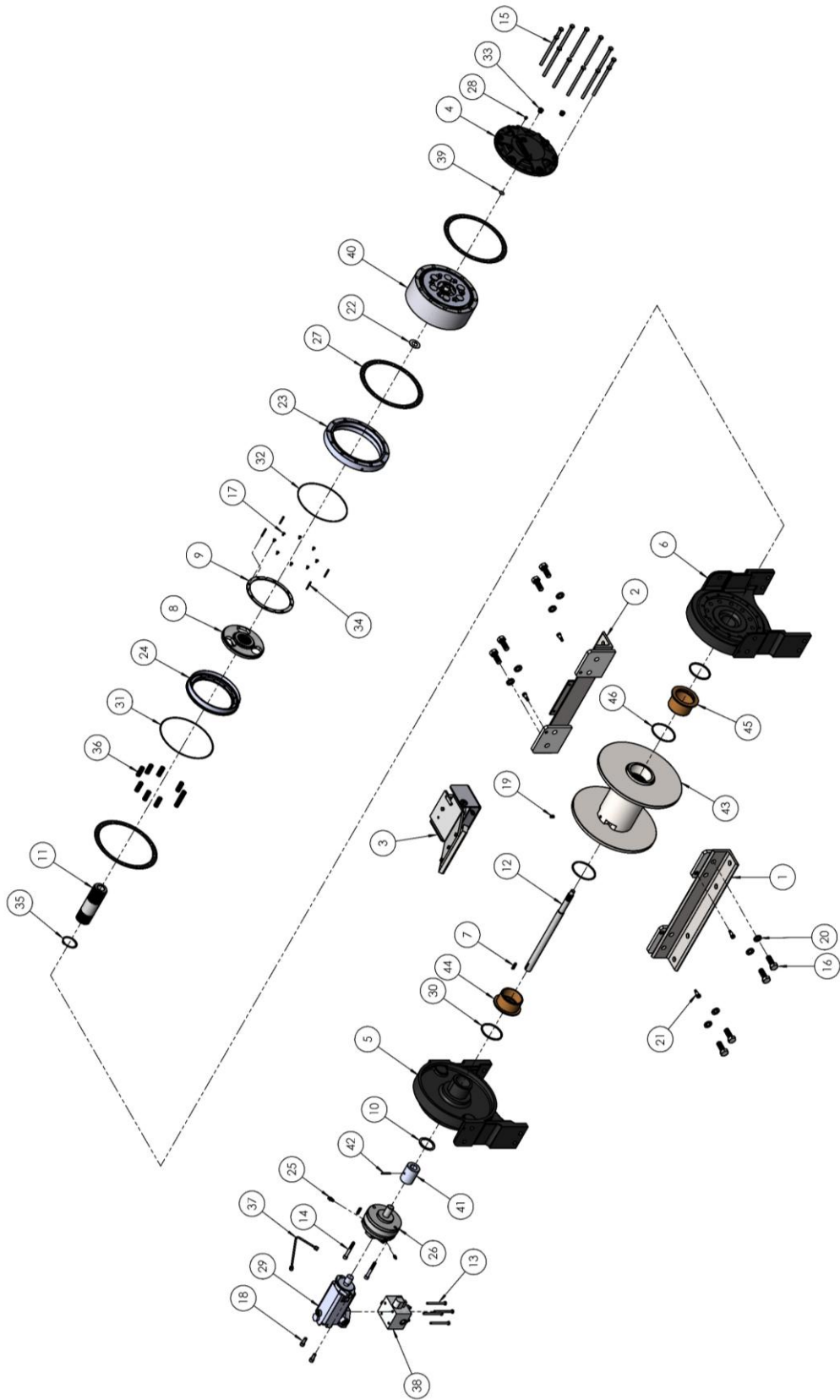
## CABLE TENSIONER (OVERWOUND) - 299744

Item No.	Part No.	Quantity	Description
201	265102	1	LEVER ARM
202	304174	1	BAR
203	346046	1	PIVOT PIN
205	408362	1	BRACKET
205	414278	4	CAPSCREW-3/8-16NCX3/4LG,HXHD,GR.5, ZINC PLATED
206	414316	2	CAPSCREW-3/8-16NCX1 1/4,HXHD,GR.5, ZINC PLATED
207	418045	2	NUT-3/8-16NC HEX REG GR.5, ZINC PLATED
208	418098	1	NUT-3/4-16NF HEX JAM
209	418177	2	LOCKWASHER-3/8 MED SECT,ZINC PLATED
210	418223	4	WASHER-1/2 USS FLAT,ZINC PLATED
211	424005	2	COTTER PIN
212	432033	1	FITTING-ELBOW
213	433029	1	ACTUATOR
214	418069	2	NUT - 1/2 - 13 UNC HEX REG, ZINC PLATED
215	420005	1	ANCHOR BOLT BENT, 1/2 - 13 UNC, 2 X 6 IN



# KITS AND MAINTENANCE PARTS

123652



# KITS AND MAINTENANCE PARTS

**123652**

Item#	QTY.	MATERIAL PART	DESCRIPTION	KITS					
				207033	222079	246068	246084	248060	283087
1	1	243069	ASSY-TIE PLATE						
2	1	243070	ASSY-TIE PLATE						
3	1	299744	ASSEMBLY-AIR TENSIONER						
4	1	328184	COVER GEAR HOUSING						
5	1	338419	END BEARING-MOTOR						
6	1	338417	END-BEARING, GEAR						
7	2	342081	KEY-RD ENDS,5/16X5/16X1.5LG	X					X
8	1	342517	CLUTCH		X				
9	1	352035	RING-RETAINING		X				
10	1	352036	PLATE RETAINER						
11	1	357543	COUPLING-OUTPUT						
12	1	357546	SHAFT-INPUT						
13	4	414400	CAPSCREW-3/8-24NF X4LG,HXHD,GR-5						
14	2	414595	CAPSCREW-1/2-13NC x 3-1/2 LONG, HX SOC HD, GR8	X					
15	12	414612	CAPSCREW-1/2-13NCX7 GR5						
16	8	414784	CAPSCREW-7/8-9NC X 2 LG,HEX HD,GR-5						
17	8	414819	BOLT-1/4-20NCX1/2,FLAT SOCHD		X				
18	2	414948	CAPSCREW-1/2-13NCX1 1/4LG,SOCKET HD						
19	3	416072	SETSCREW-1/2-13NCX3/4LG HXSOCHD CUP						
20	8	418261	LOCKWASHER-7/8 MED SECTION						
21	4	418453	BOLT-SHOULDER, .50 X.75 LG.						
22	1	418520	WASHER-THRUST ID-1.063					X	
23	1	426059	CYLINDER-CLUTCH						
24	1	426060	PISTON-CLUTCH		X				
25	1	432023	FITTING-7/16-20						
26	1	438044	BRAKE-MODULAR	X					
27	3	442210	GASKET-GEAR		X		X		
28	1	456008	RELIEF FIT-1/8-27PFT						
29	1	458101	MOTOR-HYD						
30	2	462040	QUAD-RING-4 1/4ODX3 7/8IDX3/16			X			
31	1	462103	O RING ID-10.712		X	X			
32	1	462104	O RING ID-9.895		X	X			
33	2	468041	PLUG-3/4-16						
34	4	470156	THREADED TAPER PIN		X				
35	1	490072	RING-RETAINING						

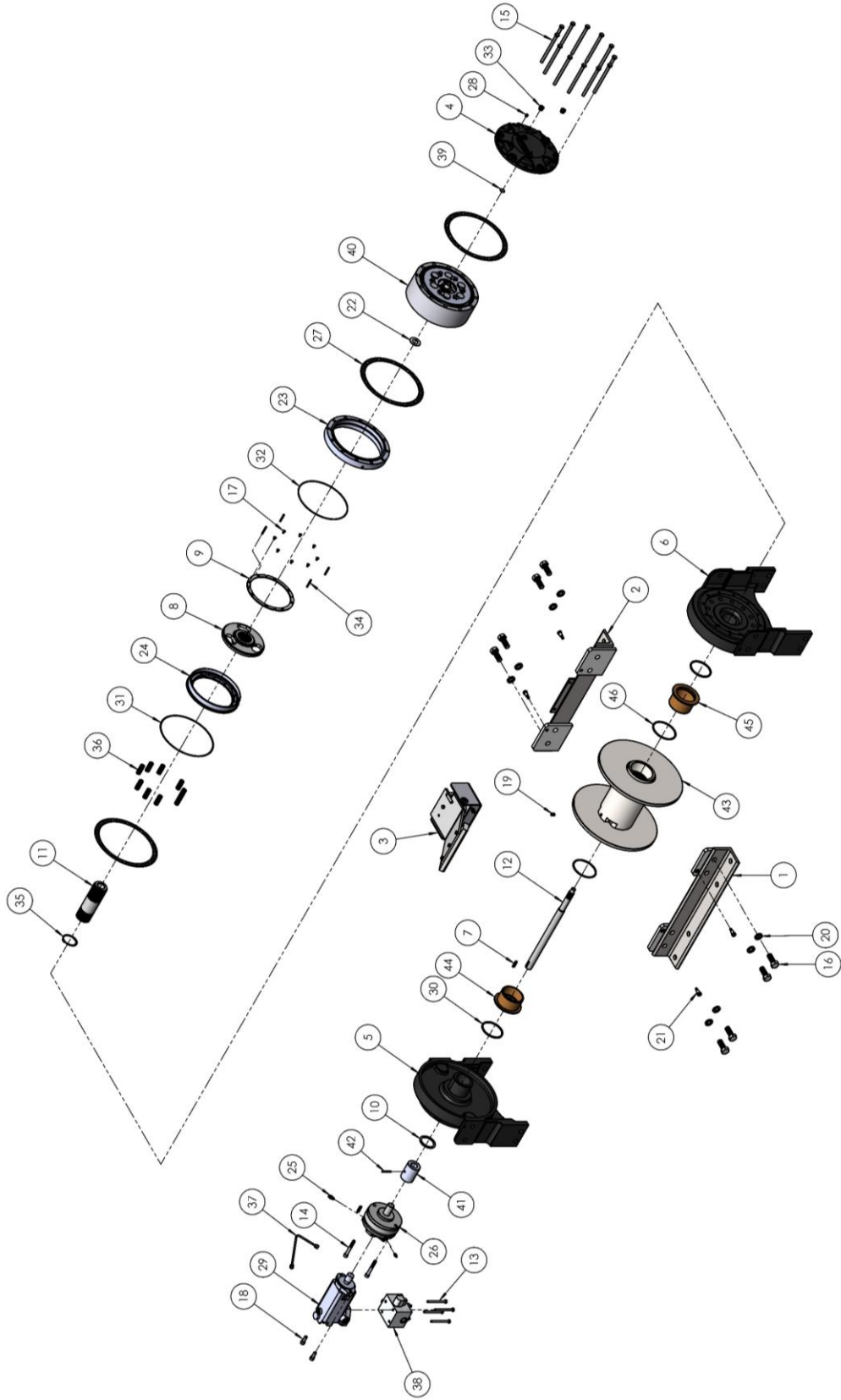
# KITS AND MAINTENANCE PARTS

**123652**

Item#	QTY.	MATERIAL PART	DESCRIPTION	KITS					
				207033	222079	246068	246084	248060	283087
36	9	494140	SPRING		X				
37	1	509125	ASSEMBLY-TUBE						
38	1	516025	VALVE-MTR.CONTROL						
39	1	518027	THRUST DISC-.035X.922DIA						
40	1	530173	GEARBOX ASSY						
41	1	324284	COUPLING-MOTOR						X
42	1	470075	PIN-1/4X 2						X
43	1	234248	DRUM ASSEMBLY						
44	1	412078	BUSHING-DRUM					X	
45	1	412079	BUSHING-DRUM 4 3/8IDX3LG					X	
46	2	462043	O-RING 3/16X4 3/4X4 3/8			X			

# KITS AND MAINTENANCE PARTS

123653



# KITS AND MAINTENANCE PARTS

**123653**

Item#	QTY.	MATERIAL PART	DESCRIPTION	KITS					
				207033	222079	246068	246084	248060	283087
1	1	243069	ASSY-TIE PLATE						
2	1	243070	ASSY-TIE PLATE						
3	1	299744	ASSEMBLY-AIR TENSIONER						
4	1	328184	COVER GEAR HOUSING						
5	1	338419	END BEARING-MOTOR						
6	1	338417	END-BEARING, GEAR						
7	2	342081	KEY-RD ENDS,5/16X5/16X1.5LG	X					X
8	1	342517	CLUTCH		X				
9	1	352035	RING-RETAINING		X				
10	1	352036	PLATE RETAINER						
11	1	357543	COUPLING-OUTPUT						
12	1	357546	SHAFT-INPUT						
13	4	414400	CAPSCREW-3/8-24NF X4LG,HXHD,GR-5						
14	2	414595	CAPSCREW-1/2-13NC x 3-1/2 LONG, HX SOC HD, GR8	X					
15	12	414612	CAPSCREW-1/2-13NCX7 GR5						
16	8	414784	CAPSCREW-7/8-9NC X 2 LG,HEX HD,GR-5						
17	8	414819	BOLT-1/4-20NCX1/2,FLAT SOCHD		X				
18	2	414948	CAPSCREW-1/2-13NCX1 1/4LG,SOCKET HD						
19	3	416072	SETSCREW-1/2-13NCX3/4LG HXSOCHD CUP						
20	8	418261	LOCKWASHER-7/8 MED SECTION						
21	4	418453	BOLT-SHOULDER, .50 X.75 LG.						
22	1	418520	WASHER-THRUST ID-1.063					X	
23	1	426059	CYLINDER-CLUTCH						
24	1	426060	PISTON-CLUTCH		X				
25	1	432023	FITTING-7/16-20						
26	1	438044	BRAKE-MODULAR	X					
27	3	442210	GASKET-GEAR		X		X		
28	1	456008	RELIEF FIT-1/8-27PFT						
29	1	458101	MOTOR-HYD						
30	2	462040	QUAD-RING-4 1/4ODX3 7/8IDX3/16			X			
31	1	462103	O RING ID-10.712		X	X			
32	1	462104	O RING ID-9.895		X	X			
33	2	468041	PLUG-3/4-16						
34	4	470156	THREADED TAPER PIN		X				
35	1	490072	RING-RETAINING						

# KITS AND MAINTENANCE PARTS

**123653**

Item#	QTY.	MATERIAL PART	DESCRIPTION	KITS					
				207033	222079	246068	246084	248060	283087
36	9	494140	SPRING		X				
37	1	509125	ASSEMBLY-TUBE						
38	1	516025	VALVE-MTR.CONTROL						
39	1	518027	THRUST DISC-.035X.922DIA						
40	1	530173	GEARBOX ASSY						
41	1	324284	COUPLING-MOTOR						X
42	1	470075	PIN-1/4X 2						X
43	1	234248	DRUM ASSEMBLY						
44	1	412078	BUSHING-DRUM					X	
45	1	412079	BUSHING-DRUM 4 3/8IDX3LG					X	
46	2	462043	O-RING 3/16X4 3/4X4 3/8			X			

**RAMSEY WINCH INDUSTRIAL WINCH  
LIMITED WARRANTY**

**1.1 Scope of Warranty Coverage.** Upon the terms and subject to the conditions set forth in this limited warranty:

- (a) RAMSEY WINCH (referred to herein as “**RAMSEY WINCH**” or the “**Manufacturer**”) warrants to each initial end user customer (a “**Purchaser**”) of a new industrial winch together with any accessories manufactured and sold directly from RAMSEY WINCH (the “**Product**”) that the Product shall be free from defects in material and workmanship, under normal working and service conditions, for a period of eighteen (18) months from the date the Product is shipped from RAMSEY WINCH. (the “**Warranty Term**”). A Purchaser shall be eligible for an additional eighteen (18) months of coverage in addition to the Warranty Term (also referred to as the “**Standard (+) PLUS benefit**”) only if the Purchaser (i) complies with Section 1.2(a) and (ii) registers the Product during the Warranty Term at [myproduct.ramseywinch.com](http://myproduct.ramseywinch.com).
- (b) Notwithstanding the foregoing, this warranty does not cover components damaged by accident, abuse, misuse, neglect, untrained operators, collision, overloading, modification, disassembly, rework, misapplication, improper installation, lack of lubrication or maintenance, or improper service. This warranty does not cover the paint or material finish, rope (wire or synthetic), removal or reinstallation of the winch, or normal wear and tear and loss of functionality due to aging of the Product (which may include but is not limited to bearings, bushings, seals, O-rings, gaskets, brake material, motor brushes, electrical cables and more).

**1.2 Eligibility of Warranty Coverage.**

- (a) A Purchaser shall be eligible for warranty coverage under this Limited Warranty during the Warranty Term only if:
  - (i) Prior to placing a Product in service, and throughout use of the Product during the Warranty Term, the Purchaser provides (or causes to be provided) proper storage such that foreign objects (e.g. rain or debris) cannot enter any Product through entry ports which are normally closed during operation.; and
  - (ii) The Purchaser maintains, or causes to be maintained, the Product according to commercially reasonable standards and utilizes the Product for the purposes for which it was created; and
  - (iii) No repairs or alterations have been made by any party other than RAMSEY WINCH, including Purchaser, unless otherwise authorized in writing by RAMSEY WINCH.

**1.3 Transferability of Warranty.**

- (a) This warranty is transferable only from the Purchaser to the first subsequent transferee (the “**Transferee**”) of the Product from Purchaser upon (i) written notification to RAMSEY WINCH and (ii) registration of the transfer, both within 30 days of such Product transfer.
- (b) Upon satisfaction of transfer requirements set forth in Section 1.3(a), the Transferee shall succeed to all the rights and obligations of the Purchaser set forth in this Limited Warranty.

**1.4 Certain Limitations on Scope of Warranty Service.**

- (a) Any obligation of RAMSEY WINCH under this warranty, statutory or otherwise, is limited to the repair of the Product, at its factory or Authorized Service Centers. Notwithstanding the foregoing, if field service or repair is performed by RAMSEY WINCH at the request of the Purchaser and no defect is found with material or workmanship of the Product, the Purchaser shall compensate RAMSEY WINCH for its time and expenses within thirty (30) days of delivery of an invoice relating to the same. If repair is determined by RAMSEY WINCH in its sole, absolute and uncontrolled discretion to be impossible or impractical, then RAMSEY WINCH may satisfy this warranty by replacing the Product. RAMSEY WINCH will not provide any cash payment or credits for defective materials or workmanship.

- (b) Purchaser shall be responsible for any and all freight charges for any Product receiving warranty service under this limited warranty. Any travel time, transportation charges, freight charges, or similar costs incurred by RAMSEY WINCH in connection with the replacement or repair of defective parts, shall, be the responsibility of the Purchaser. If applicable, RAMSEY WINCH shall invoice Purchaser for the total amount of such charges within sixty (60) days of fulfilling its duties under this warranty, payable within thirty (30) days of delivery of such invoice. In no event shall RAMSEY WINCH be liable for bills for service, labor or other expenses that have been incurred by the Purchaser without approval or prior authorization by RAMSEY WINCH for inspection, maintenance, or repair of the Product.
- (c) If a Product is found to be operable upon inspection, the Product, at Purchaser's election, may be either (1) returned to the Purchaser with a service charge from RAMSEY WINCH for inspection, cleaning, and routine replacement of all rubber components and any other parts that show wear; or (2) RAMSEY WINCH can dispose of the product safely.

1.5 **Limitations of Liability.** RAMSEY WINCH shall in no event be liable for punitive, special or consequential damages relating to the Product or this Warranty. RAMSEY WINCH makes no warranty in respect to third-party accessories, upgrades, or additions to the Product.

1.6 **Improving Product.** RAMSEY WINCH reserves the right to improve the Product through changes in design or materials as it may deem desirable or necessary without being obligated to incorporate, upgrade, or otherwise modify previously manufactured products.

1.7 **Limitations of Warranty.**

- (a) THE WARRANTY SET FORTH ABOVE IS THE ONLY EXPRESS WARRANTY. RAMSEY WINCH HEREBY DISCLAIMS AND EXCLUDES ANY OTHER EXPRESS, IMPLIED, OR STATUTORY WARRANTIES, ARISING BY OPERATION OF LAW, COURSE OF DEALING, COURSE OF PERFORMANCE, USAGE, OF TRADE, OR OTHERWISE, INCLUDING, WITHOUT LIMITATION, ANY WARRANTIES OF MERCHANTABILITY, FITNESS FOR A PARTICULAR PURPOSE, AND INTELLECTUAL PROPERTY RIGHTS OF A THIRD PARTY.
- (b) ANY IMPLIED WARRANTY WHICH BY LAW MAY NOT BE EXCLUDED IS LIMITED IN DURATION TO ONE (1) YEAR FROM THE DATE OF ORIGINAL RETAIL PURCHASE OF THE PRODUCT.
- (c) This warranty gives you specific legal rights, and you may also have other rights which vary from jurisdiction to jurisdiction.
- (d) This warranty is valid only in the U.S.A. and Canada. For warranty outside the U.S.A. and Canada contact your nearest Ramsey Winch Distributor.

1.8 **No Modifications to Warranty.** No RAMSEY WINCH dealer, distributor, agent or employee is authorized to make any modification, extension or addition to this warranty.

1.9 **How to Apply for Warranty Coverage.**

All claims are handled by contacting your nearest Ramsey Winch Distributor. For questions, please contact customer support: [rwcustomersupport@ramseyindustries.com](mailto:rwcustomersupport@ramseyindustries.com).

Visit [Dealer Locator - Ramsey Winch](#) for Ramsey Winch Distributor locations and contact information.

Additional warranty, service support, product information, and parts information can be found on [www.ramseywinch.com](http://www.ramseywinch.com).

