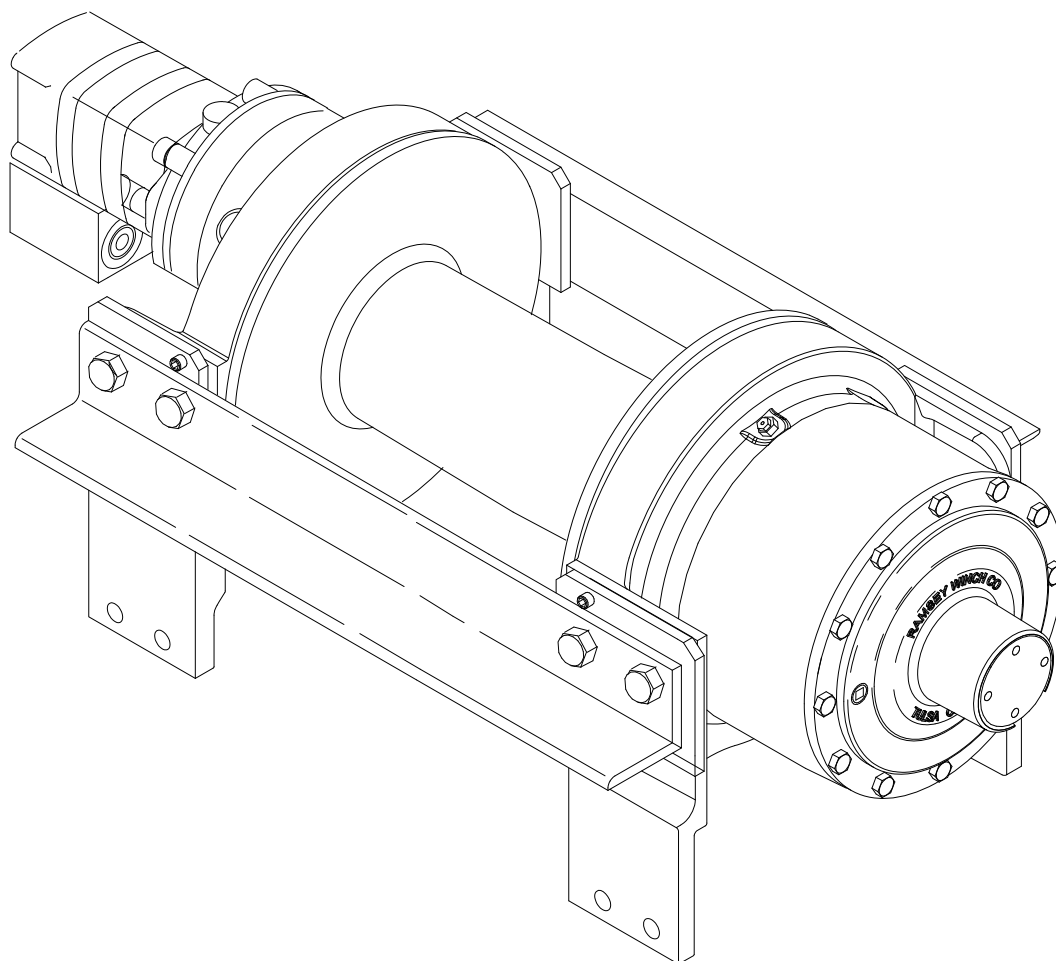




OPERATING, SERVICE AND MAINTENANCE MANUAL



MODEL RPH-50,000 INDUSTRIAL PLANETARY WINCH



CAUTION: READ AND UNDERSTAND THIS MANUAL BEFORE INSTALLATION AND OPERATION OF WINCH. SEE WARNINGS!

TABLE OF CONTENTS

INTRODUCTION.....	1
WARRANTY INFORMATION	1
SPECIFICATIONS	1
WARNINGS	1
WINCH MOUNTING	2
CABLE INSTALLATION.....	2
HYDRAULIC SYSTEM REQUIREMENTS	2
PERFORMANCE CHARTS	3
CLUTCH OPERATION	3
WINCH OPERATION.....	3
MAINTENANCE	4
TROUBLE SHOOTING GUIDE	4
INSTRUCTIONS FOR OVERHAUL.....	5-12
MOUNTING CONFIGURATIONS.....	13
DIMENSIONAL DRAWING.....	14
PARTS LIST AND PART DRAWING.....	15-16
LIMITED WARRANTY	Back Cover

RAMSEY HYDRAULIC PLANETARY WINCH MODEL RPH 50,000

PLEASE READ THIS MANUAL CAREFULLY

This manual contains useful ideas in obtaining the most efficient operation from your Ramsey Winch, and safety procedures one needs to know before operating a Ramsey Winch. Do not operate this winch until you have carefully read and understand the "WARNINGS" and "OPERATION" sections of this manual.

WARRANTY INFORMATION

Ramsey Winches are designed and built to exacting specifications. Great care and skill go into every winch we make. If the need should arise, warranty procedure is outlined on the back of your self-addressed postage paid warranty card. Please read and fill out the enclosed warranty card and send it to Ramsey Winch Company. If you have any problems with our winch, please follow instructions for prompt service on all warranty claims. Refer to back page for limited warranty.

SPECIFICATIONS*

Rated Line Pull (lbs.).....		50,000				
(Kgs.).....		22,670				
Gear Reduction.....		51.35:1				
Weight (without cable).....		689 lb. (313 Kgs.)				
LAYER OF CABLE		1	2	3	4	5**
*Rated line pull per layer	Lbs.	50,000	40,900	34,600	30,000	26,400
	Kg.	22,670	18,550	15,690	13,600	11,970
*Cable capacity	Ft.	30	65	110	160	220
	M.	9	19	33	48	66
*Line speed (at 25 GPM)	FPM	23	28	33	38	43
	MPM	7.0	8.6	10.1	11.7	13.2
* These specifications are based on recommended wire rope of .875 inch dia. extra improved plow steel or equivalent						
** Last layer does not conform to SAE J706						

NOTE: The rated line pulls shown are for the winch only. Consult the wire rope manufacturer for wire rope ratings.

WARNINGS:

VERIFY PROPER COUNTERBALANCE VALVE CARTRIDGE AND PLUG POSITION FOR SPECIFIC INSTALLATION.

CLUTCH MUST BE TOTALLY ENGAGED BEFORE STARTING THE WINCHING OPERATION.

DO NOT START WINCH MOTOR BEFORE ENGAGING CLUTCH.

DO NOT DISENGAGE CLUTCH UNDER LOAD.

STAY OUT FROM UNDER AND AWAY FROM RAISED LOADS.

STAND CLEAR OF CABLE WHILE PULLING. DO NOT TRY TO GUIDE CABLE.

DO NOT EXCEED MAXIMUM LINE PULL RATINGS SHOWN IN TABLE.

DO NOT USE WINCH TO LIFT, SUPPORT, OR OTHERWISE TRANSPORT PEOPLE.

A MINIMUM OF 5 WRAPS OF CABLE AROUND THE DRUM BARREL IS NECESSARY TO HOLD THE LOAD. CABLE ANCHOR IS NOT DESIGNED TO HOLD LOAD.

WINCH MOUNTING

Use (8) 3/4" diameter grade 5 or better bolts to attach winch to the wrecker.

Before operating the winch for the first time, remove the cover from the breather vent at the back of the air cylinder and the relief fitting on top of the clutch housing.

CABLE INSTALLATION

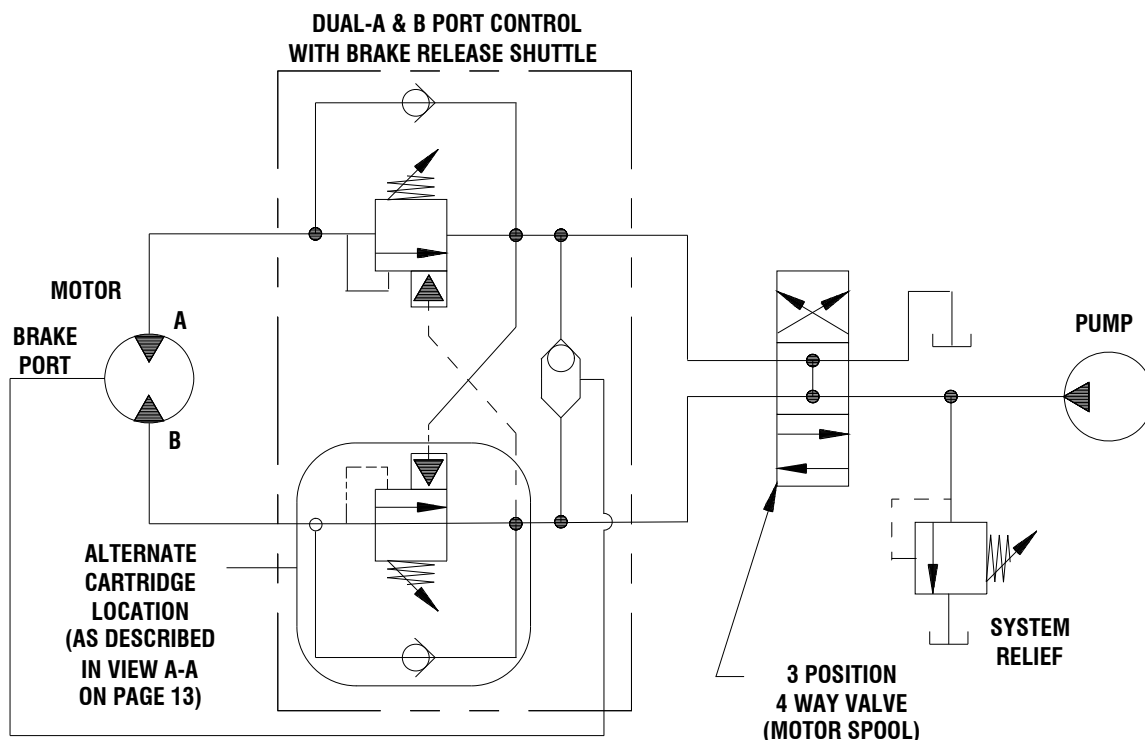
1. Unwind cable by rolling it out along the ground to prevent kinking. Securely wrap end of wire rope, opposite hook, with plastic or similar tape to prevent fraying.
2. Insert the end of cable, opposite hook end, into the hole in drum barrel. Secure cable to drum barrel, using setscrew furnished with winch. **TIGHTEN SETSCREW SECURELY.**
3. Carefully run the winch in the "reel-in" direction. Keeping tension on end of cable, spool all the cable onto the cable drum, taking care to form neatly wrapped layers.

HYDRAULIC SYSTEM REQUIREMENTS

Refer to the performance charts to properly match your hydraulic system to RPH-50000 winch performance. The charts consist of:

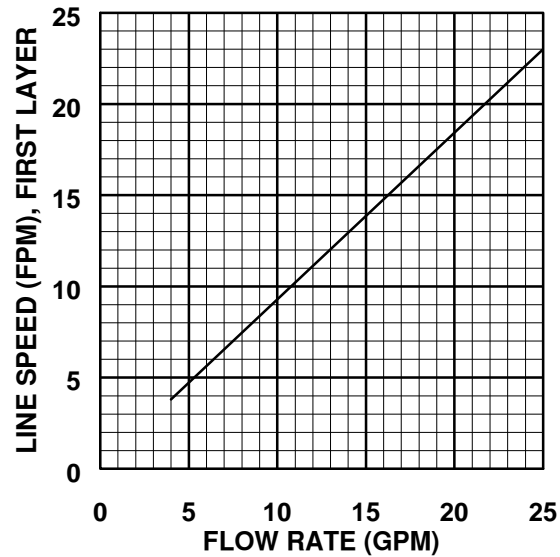
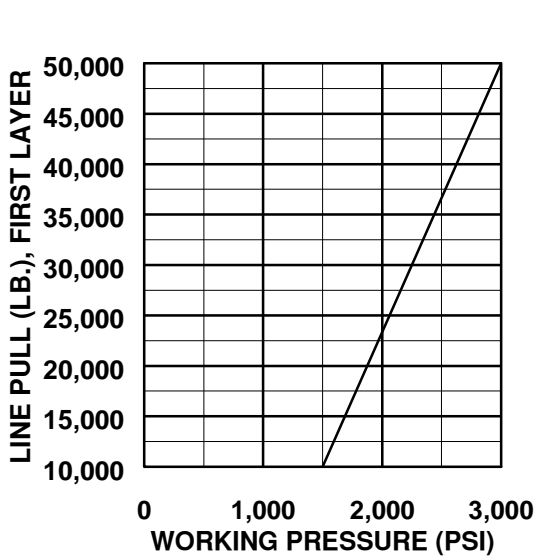
- (1) Line pull (lb.) first layer vs. working pressure (PSI) and (2) Line speed (FPM), first layer vs. flow (GPM). Performance based on a motor displacement of 9.6 cubic inches with 25 GPM maximum flow rate. See page 14 for motor port size.

TYPICAL LAYOUT



PERFORMANCE CHARTS

(BASED ON 9.6 CU. IN./REV MOTOR)



CLUTCH OPERATION

To engage clutch:

1. Move the clutch control valve to the "clutch engaged" position.
2. Anytime the temperature is below freezing, run the motor in the "cable out" direction only until the drum starts to turn. In extreme cold temperatures (below 0° F/-18° C), pull out on the cable by hand only until the drum starts to turn.
3. Wait at least 3 seconds for the clutch to fully engage, after which the winch is ready to winch in the cable.

WARNING: Do not attempt to engage the clutch by first running the winch motor and then moving the clutch control valve to the "clutch-engaged" position while the motor is running. Do not start picking up the load at the same time the clutch is being engaged.

To disengage clutch:

1. Run the winch in the "cable out" direction until the load is off the cable.
2. Move the clutch control valve to the "clutch-disengaged" position.
3. The cable may now be pulled off by hand.

WINCH OPERATION

The best way to get acquainted with how your winch operates is to make test runs before you use it. Plan your test in advance. Remember, you hear your winch, as well as see it operate. Learn to recognize the sounds of a light steady pull, a heavy pull, and sounds caused by load jerking or shifting. Gain confidence in operating your winch and its use will become second nature with you.

The uneven spooling of cable, while pulling a load, is not a problem, unless there is a cable pileup on one end of drum. If this happens, reverse the winch to relieve the load and move your anchor point further to the center of the vehicle. After the job is done you can unspool and rewind for a neat lay of the cable.

MAINTENANCE

Adhering to the following maintenance schedule will keep your winch in top condition and performing as it should with a minimum of repair.

A. WEEKLY

1. Check the oil level and maintain it to the oil level plug. If oil is leaking out, determine location and repair.
2. Check the pressure relief plug in top of the gear housing. Be sure that it is not plugged.
3. Lubricate cable with light oil.

B. MONTHLY

1. Check the winch mounting bolts. If any are missing, replace them and securely tighten any that are loose. Use grade 5 or better bolts.
2. Inspect the cable. If the cable has become frayed with broken strands, replace immediately.

C. ANNUALLY

1. Drain the oil from the winch annually or more often if winch is used frequently.
2. Fill the winch to the oil level plug with clean kerosene. Run the winch a few seconds with no load in the reel in direction. Drain the kerosene from the winch.
3. Refill the winch to the oil level plug with all-purpose SAE 80W-140 gear oil.
4. Inspect tie bars and surrounding structure for cracks or deformation.

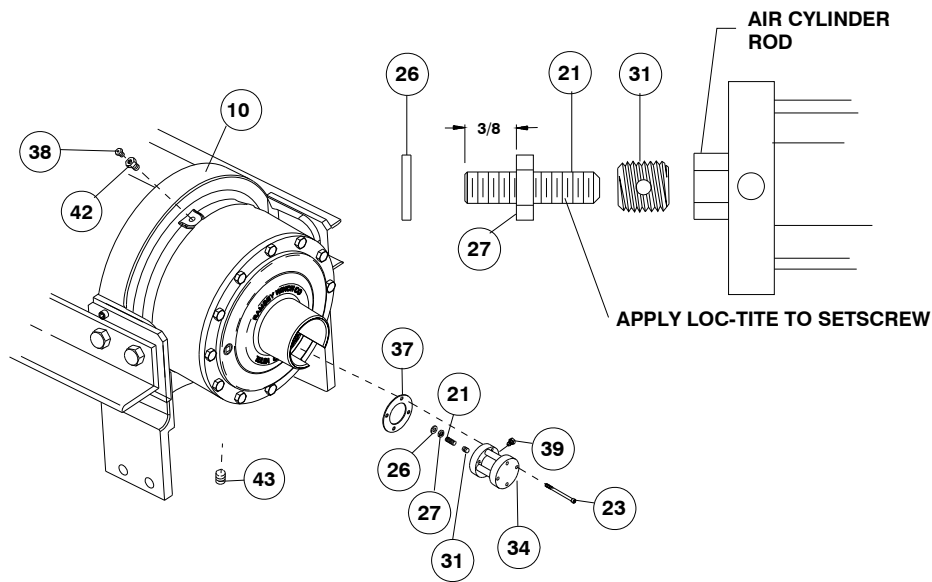
TROUBLE SHOOTING GUIDE

CONDITIONS	POSSIBLE CAUSE	CORRECTION
OIL LEAKS FROM WINCH	<ol style="list-style-type: none">1. Seals damaged or worn.2. Too much oil.3. Damaged gaskets.	<ol style="list-style-type: none">1. Replace seal.2. Drain excess oil. Refer to OPERATION.3. Replace gaskets.
WINCH RUNS TOO SLOW	<ol style="list-style-type: none">1. Low flow rate.2. Hydraulic motor worn out.	<ol style="list-style-type: none">1. Check flow rate. Refer to HYDRAULIC SYSTEMS performance chart page 2.2. Replace motor.
CABLE DRUM WILL NOT FREESPOOL	<ol style="list-style-type: none">1. Clutch not disengaged.	<ol style="list-style-type: none">1. Check air pressure to clutch cylinder 100 PSI min. required Refer to page 14 for port location.
BRAKE WILL NOT RELEASE	<ol style="list-style-type: none">1. Brake line disconnected or blocked.	<ol style="list-style-type: none">1. Check brake function. Refer to page 12.
LOAD LOWERS TOO FAST	<ol style="list-style-type: none">1. Hydraulic lines to counter-balance valve incorrectly installed and/or cartridge plug position incorrect for drum rotation direction to reel cable in.	<ol style="list-style-type: none">1. Refer to View A-A pg. 14 for correct installation.

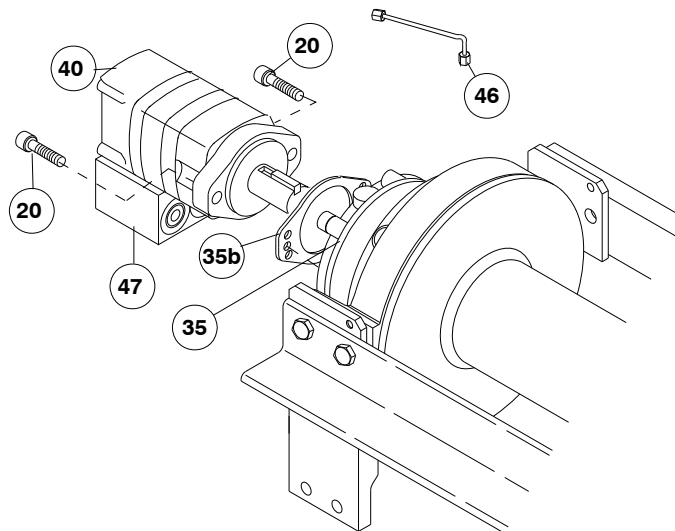
INSTRUCTIONS FOR OVERHAUL DIS-ASSEMBLY

1. Drain oil from gear housing #10 by removing pipe cap #43 from pipe nipple in end bearing. Remove reducer #42 and relief fitting #38. If new air cylinder is required, remove air cylinder #33 from cover by removing (4) capscrews #23.

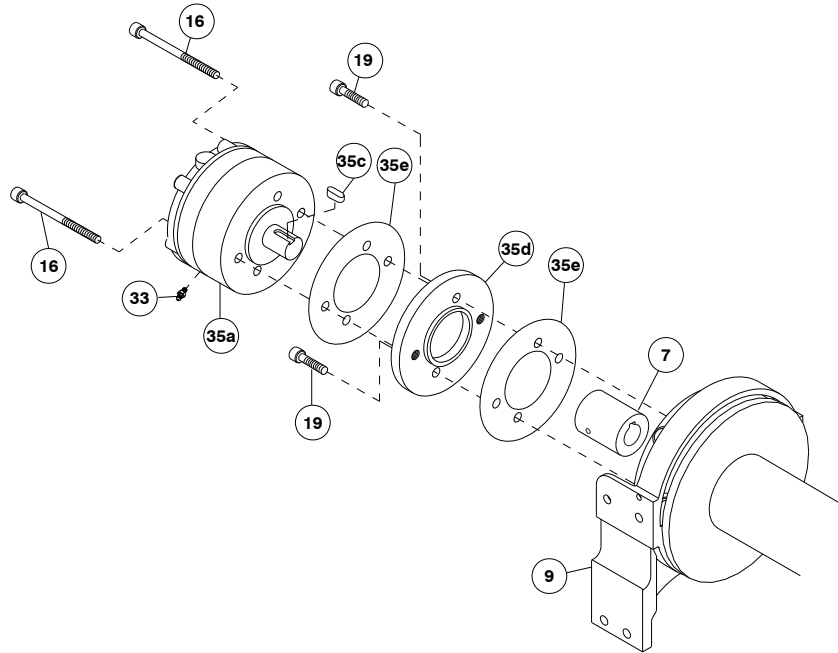
Remove washer #25, nut #26, setscrew #21, and insert #31 from end of air cylinder rod. Apply Loc-tite to threads of nut #26 and thread onto setscrew #21 to 3/8" from drive end, as shown below. Apply Loc-tite to threads of setscrew and thread insert #31 over end of setscrew and against nut. Use setscrew and nut to thread insert #31 into end of air cylinder rod. Tighten nut against cylinder rod, keeping 3/8" distance from drive end of setscrew to nut. If breather vent #39 is damaged, remove and replace.



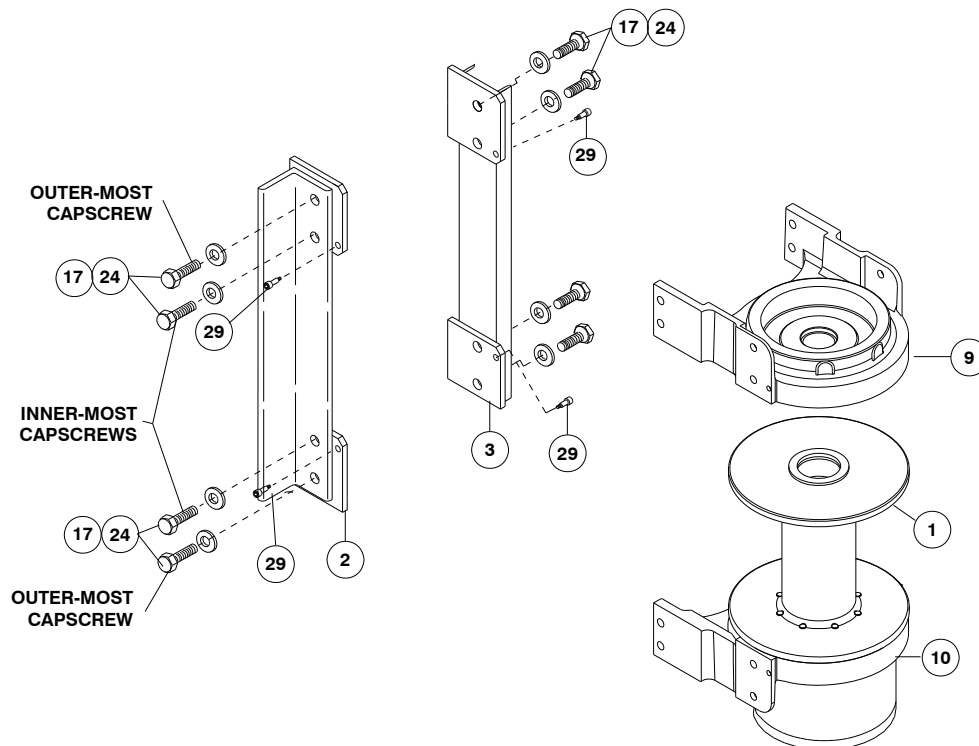
2. Disconnect tube #46 from elbow #32 on valve #47 and fitting #33 on bottom of brake #35. Remove motor #40 and gasket #35b by removing (2) capscrews #20. Remove valve #47, if needed, from motor by loosening (3) capscrews #18, as shown on page 15.



- Remove brake assembly screws #16 from brake 35a to access (2) mounting screws #19 attaching brake adapter plate #35d to end bearing #9. **CAUTION: BRAKE IS SPRING-LOADED BY CLUTCH SPRING AND MUST BE RESTRAINED AGAINST END BEARING AS MOUNTING SCREWS ARE REMOVED.** Remove coupling #7 and gasket #35e from end bearing. Take note of mounting configuration for proper mounting of parts during re-assembly.

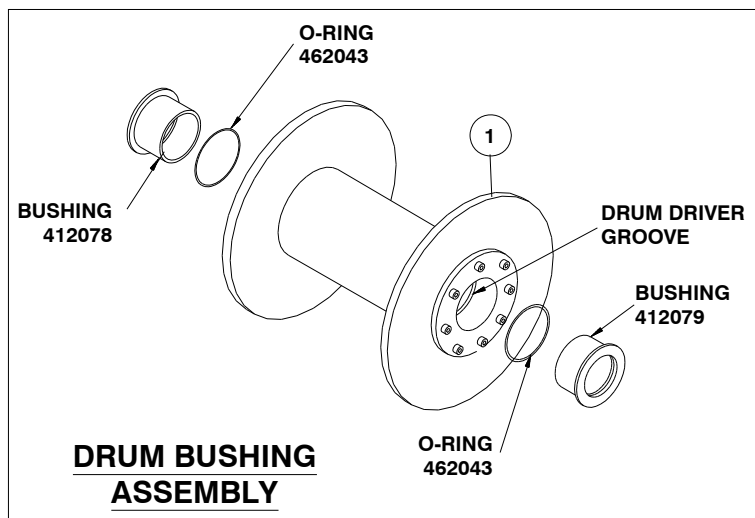
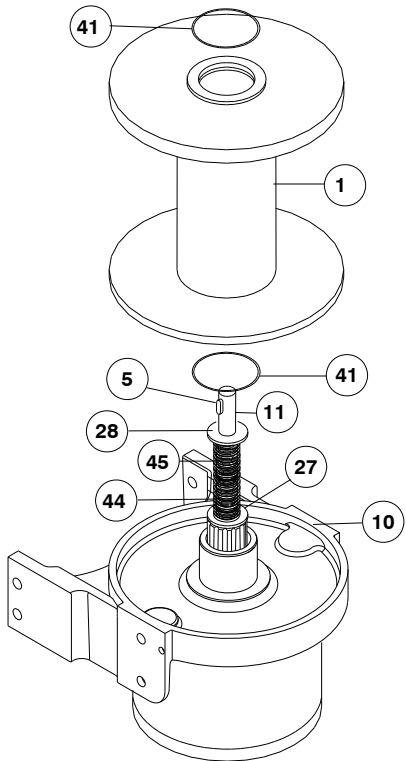


- Remove winch from tie bars #2 and #3 by removing (8) capscrows #17, (8) lockwashers #24, and (4) shoulder bolts #29. Pull motor end bearing #9 from drum assembly #1.

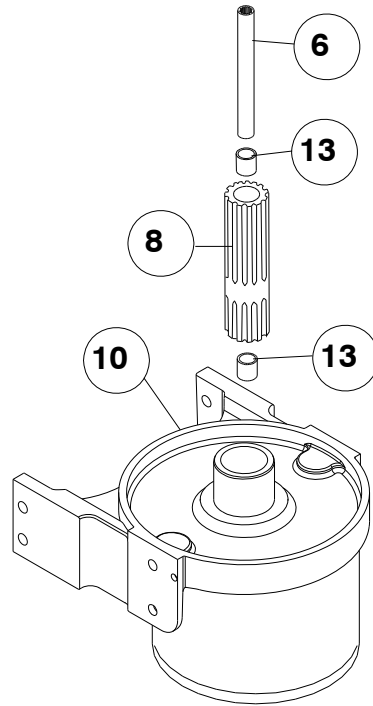


5. Pull drum assembly #1 upward from end bearing #10. Remove quad-rings #41 from grooves in drum bushings. Remove input shaft #11, clutch springs #44 & #45 and washers #27 & #28 from end bearing. Examine splined ends of input shaft for signs of wear, replace if damaged.

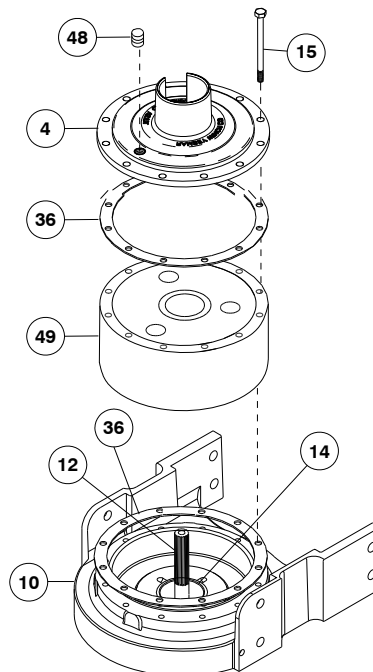
Examine drum assembly #1 for signs of wear. If splines inside of drum driver (332148) are damaged, drum driver must be replaced. Remove drum driver by unscrewing (8) capscrews (414978). If bushings show signs of wear, replace by pressing old bushings from drum and removing o-rings from grooves in drum and drum driver. Place well-oiled o-rings (462043) into grooves in drum and drum driver. Press new bushing (412078) into end of drum opposite drum driver and press bushing (412079) into drum driver until flange of bushings are flush against drum and driver.



6. Remove output coupling #8 and coupling shaft #6 from end bearing #10. Examine bearings #13 pressed in output coupling for signs of wear. Replace bearings, if necessary, by pressing old bearings from coupling and press new bearings into each end of output coupling. Place coupling shaft into bearings.



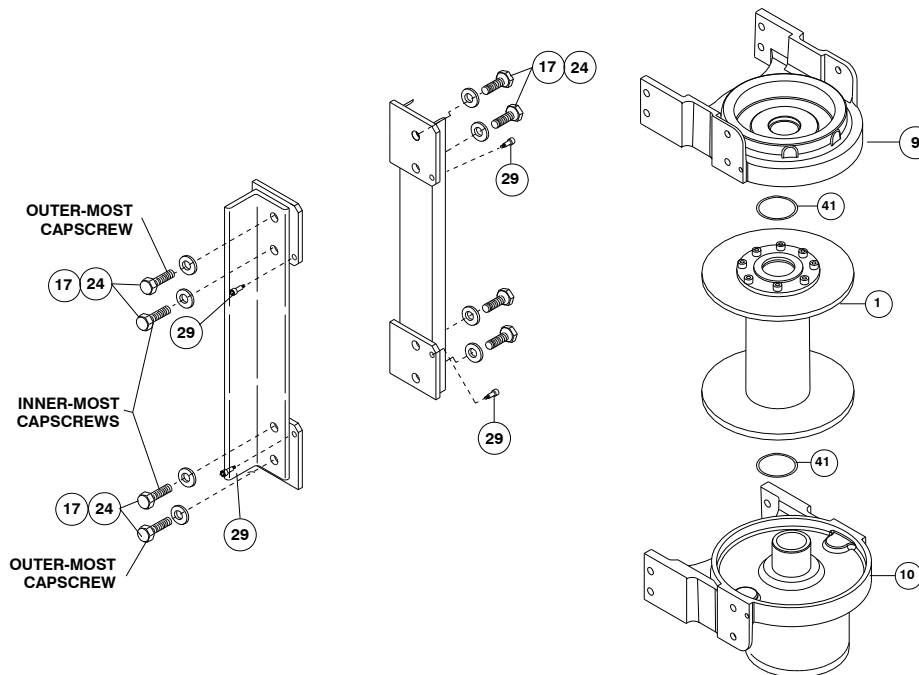
7. Remove (12) capscrews #15 to pull gear-housing cover #4 and gasket #36 from ring gear #49. Remove input thrust washer, sun gear and carrier assemblies from inside of ring gear. Remove ring gear #4 and gasket #36 from end bearing #10. Examine shifter shaft #12 for signs of wear, replace if necessary. Examine bushing #14 for signs of wear. Replace bushing, if necessary, by pressing old bushing from housing and pressing new bushing into place.



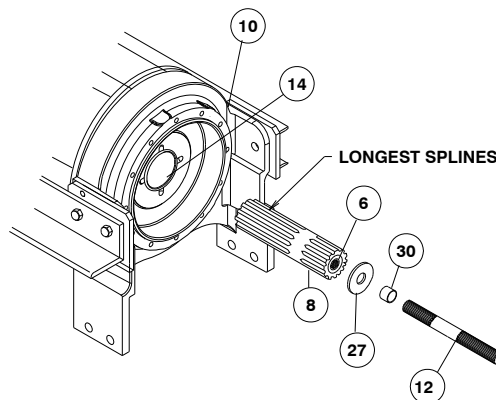
RE-ASSEMBLY

8. **NOTE:** DETERMINE MOUNTING CONFIGURATION OF WINCH (R.H. or L.H. MOUNTED) BEFORE ATTACHING TIE BARS TO WINCH, TO ASSURE PARTS ARE MOUNTED TO PROPER SIDE, REFER TO WINCH MOUNTING CONFIGURATIONS ON PAGE 13.

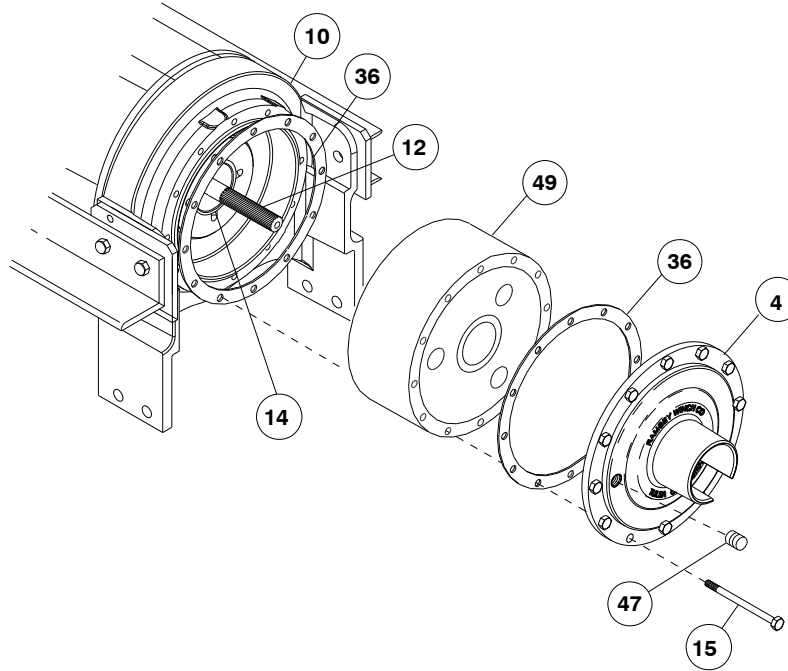
Seat well-oiled quad-ring #41 into groove of bushing in each end of drum assembly #1. Carefully set drum assembly down over motor end bearing #9. Lift gear-housing end bearing #10 and set into place on drum assembly. Attach tie bars #2 and #3 using (8) capscrews #17 and lockwashers #24. Install (4) shoulder bolts #29 and hand tighten. Tighten (4) innermost capscrews securely, check rotation of cable drum. Tighten (4) outer-most capscrews securely, check rotation of cable drum. Torque capscrews, in innermost then outer-most pattern shown below, to 430 ft.-lbs. each. Torque shoulder bolts to 30 ft.-lbs. each. Check rotation of cable drum assembly. It must rotate freely with no tight spots.



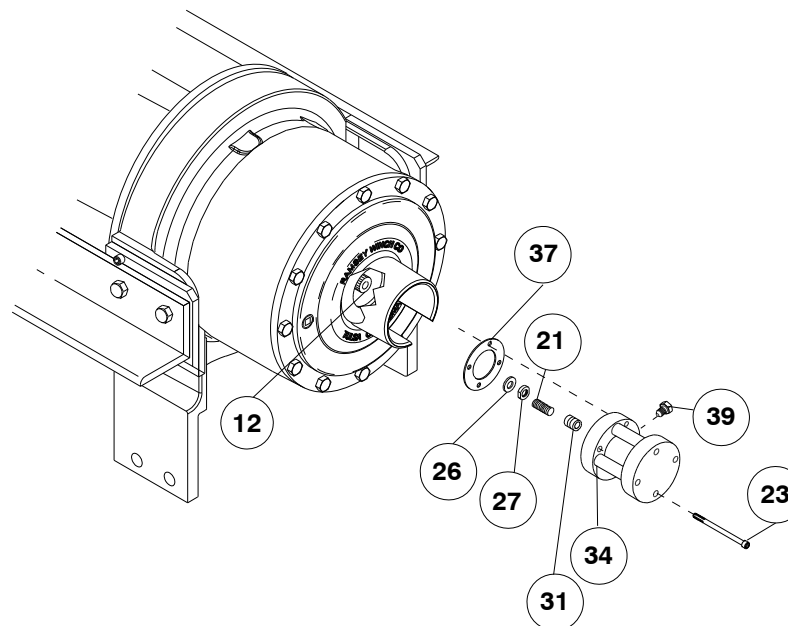
9. Place end (with longest splines) of output coupling #8 through end bearing bushing #13 and mesh coupling spline with spline inside of drum. Slide clutch spacer #30 over end and against shoulder of shifter shaft #12. Place shifter shaft through washer #27 and into shaft coupling #6, meshing splines of shifter shaft with splines in shaft coupling.



10. Set gasket #36 into place on gear housing end bearing #10. Place ring gear #49 onto end bearing, aligning holes in ring gear with holes in gasket and gear housing end bearing. Use (2) capscrews to temporarily secure ring gear to end bearing. Place (2) gear carrier assemblies into ring gear meshing carrier gears with ring gear. Slide input sun gear over shifter shaft #12 and mesh with teeth of input carrier. Apply grease to input thrust washer and place into slots of gearbox cover #4. Place gasket #36 into position on gearbox cover with sealer. Remove (2) temporary capscrews and attach cover and gasket to ring gear end bearing. Use (12) capscrews #15 to secure gearbox to gear housing end bearing. Torque capscrews to 87 ft-lbs. each, in a criss-cross pattern.



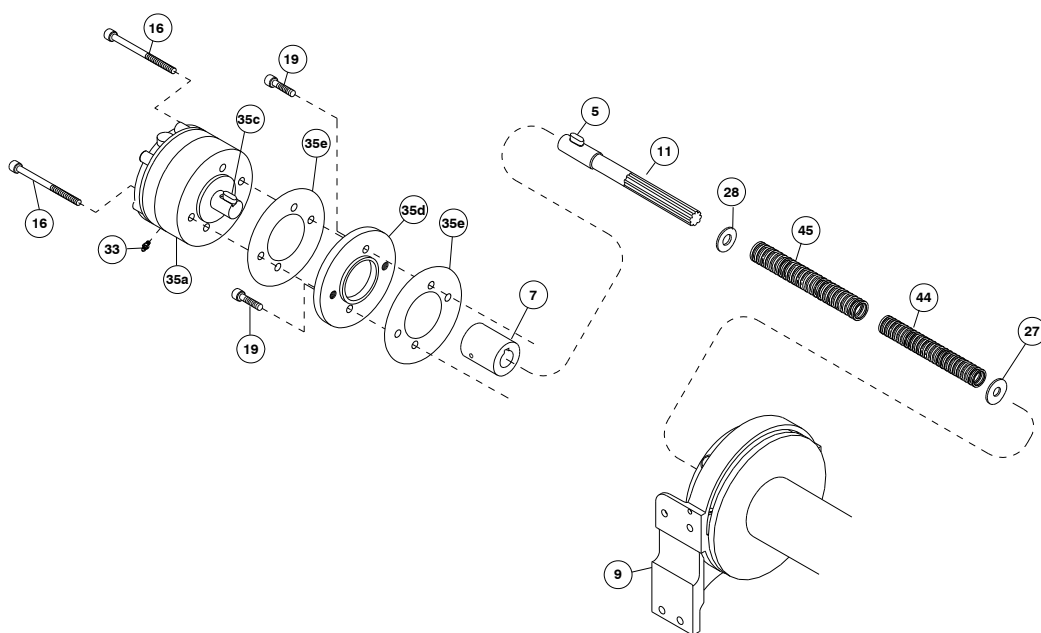
11. Pull rod from air cylinder as far as possible. Slide washer #25 over setscrew #20 and against nut attached to air cylinder rod. Place setscrew into hole of shifter shaft #12 and attach air cylinder to gear box cover using (4) capscrews #22. Apply Loc-tite PST thread sealer to threads of capscrews. Torque capscrews to 5 ft-lbs. each, in criss-cross pattern.



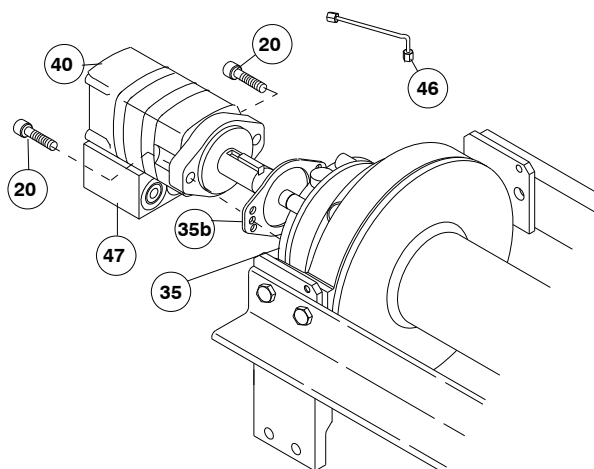
12. Gently tap key #5 into keyway of input shaft #11. Liberally apply grease to shoulder of input shaft. Place 1-3/4 OD washer #28 over end of shaft and against shoulder of shaft. Place spring #44 inside of spring #45 and place both springs over shaft and against washer #28. Slide 2-3/8 OD clutch washer #27 over splined end of shaft and against springs. Use grease to hold springs and washers in place on shaft. Place splined end of shaft through drum and into output coupling #7. Mesh spline of input shaft with internal spline of coupling shaft inside of drum.

Align keyway of coupling with key and end of input shaft below. Slide coupling over end of shaft #11. Place gasket #35e into position on motor mounting surface of end bearing #9. Insert brake shaft with key #35c into coupling. Use (2) screws #19 to attach brake adapter plate #35d to motor end bearing. Torque capscrews to 85 ft.-lbs. each. Apply second gasket #35e to other side of adapter plate. Re-attach brake #35a to brake adapter plate using brake assembly screws #16. Torque capscrews to 97 ft.-lbs. each.

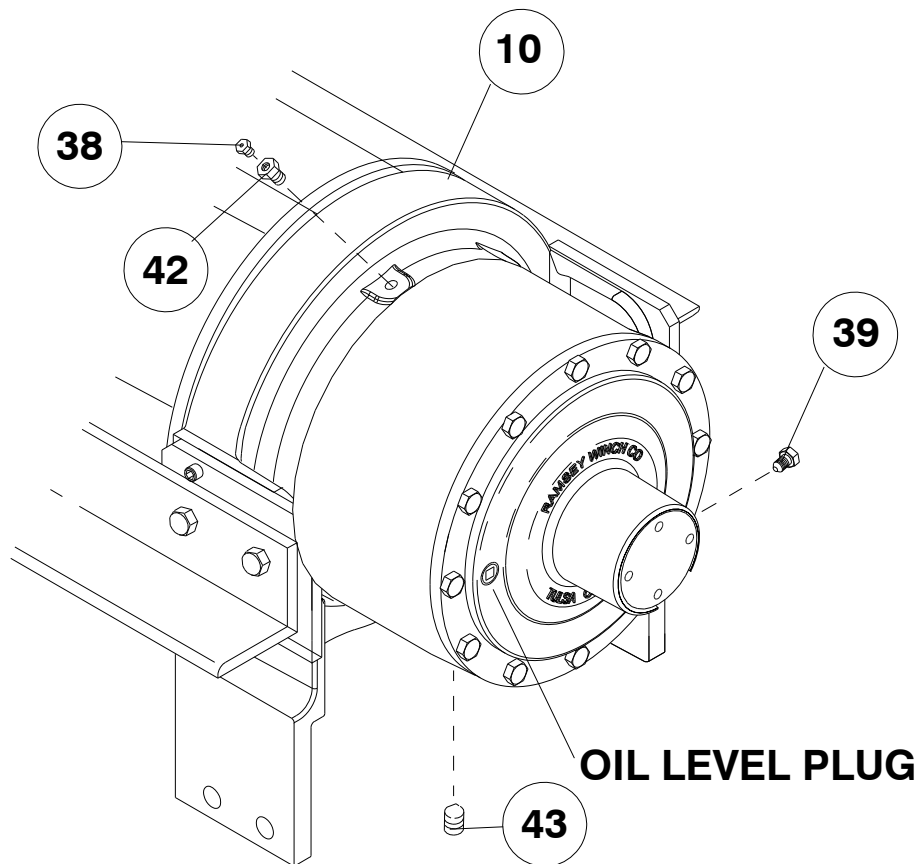
Note: Care must be taken to assure adapter plate and brake are seated properly prior to installing 1/2-13NC assembly bolts. Damage will occur to rotor stack or shaft snap ring if not properly installed.



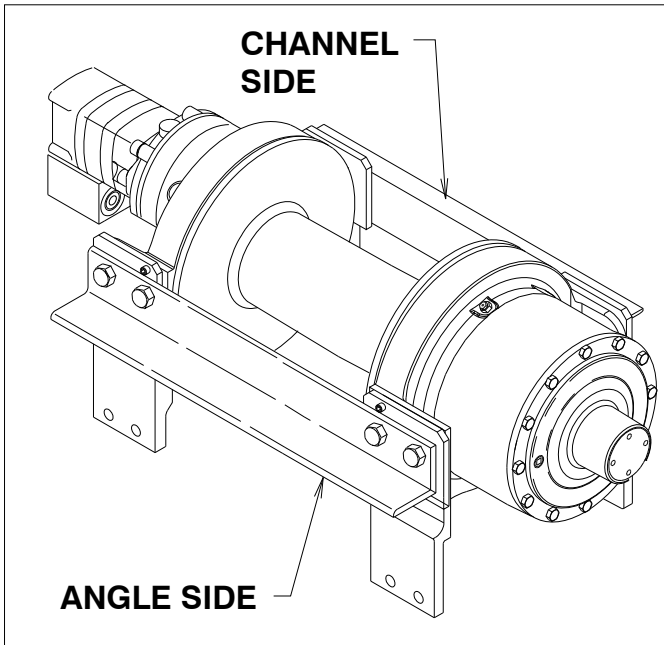
13. Attach motor #40 with well-oiled gasket #35b to brake #35. Use (2) capscrews #20 and torque to 74 ft.-lbs. each. Securely connect tube #46 to elbow #32, in bottom of valve #47, and fitting #33 in bottom of brake #35.



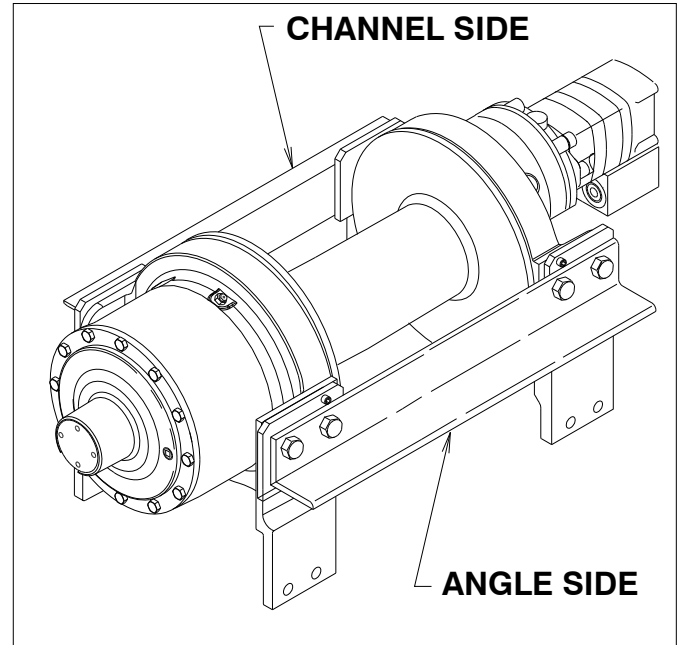
14. Apply Permatex to thread of plug #43. Thread plug into tapped hole in bottom of gear housing end bearing #10. Pour approximately 4.75 pints of SAE 80W-140 oil into end bearing. Check oil level by removing oil plug noted below. Insert relief fitting #38 and thread reducer #42 into end bearing at oil fill hole. Be sure breather vent #39 and relief fitting #38 are not damaged and in good operating condition. Replace if necessary.



- Install winch and connect pressure lines. Apply at least 230 PSI pressure to release brake and verify that brake releases, by observing that the winch drum rotates.
15. Check proper operation of clutch by applying air pressure to clutch air cylinder to disengage clutch. Verify that winch freespool. Re-engage clutch. A loud noise should be heard when the clutch engages. Winch drum should not freespool.
16. Operate winch forward and reverse to verify that drum rotates.

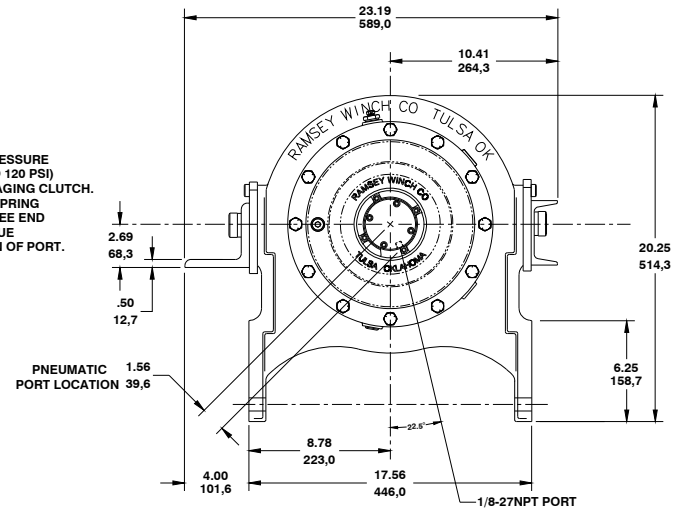
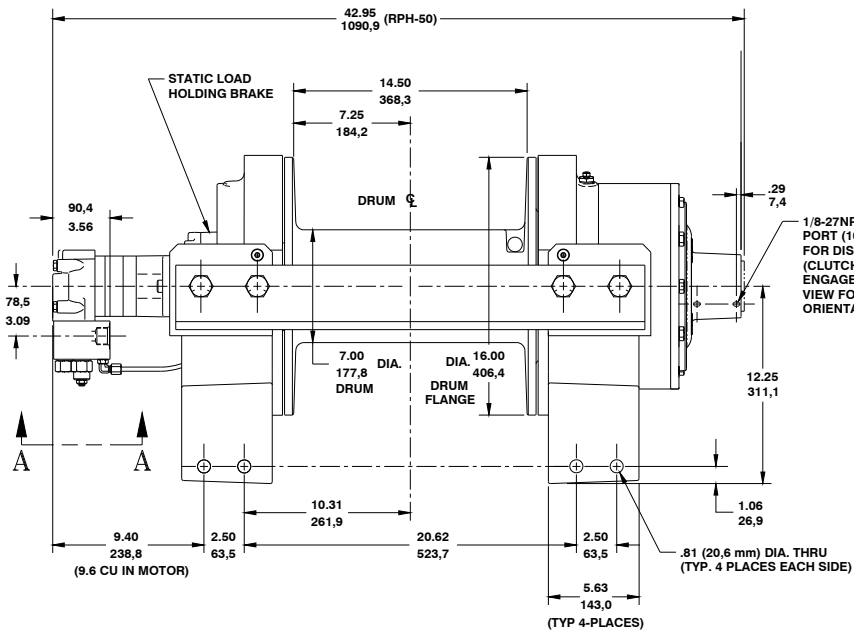


**R. H. MOUNTING
CONFIGURATION**

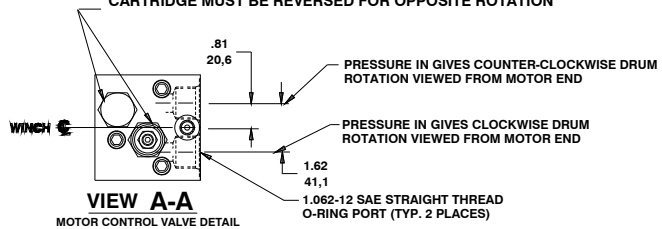


**L. H. MOUNTING
CONFIGURATION**

WINCH MOUNTING CONFIGURATIONS



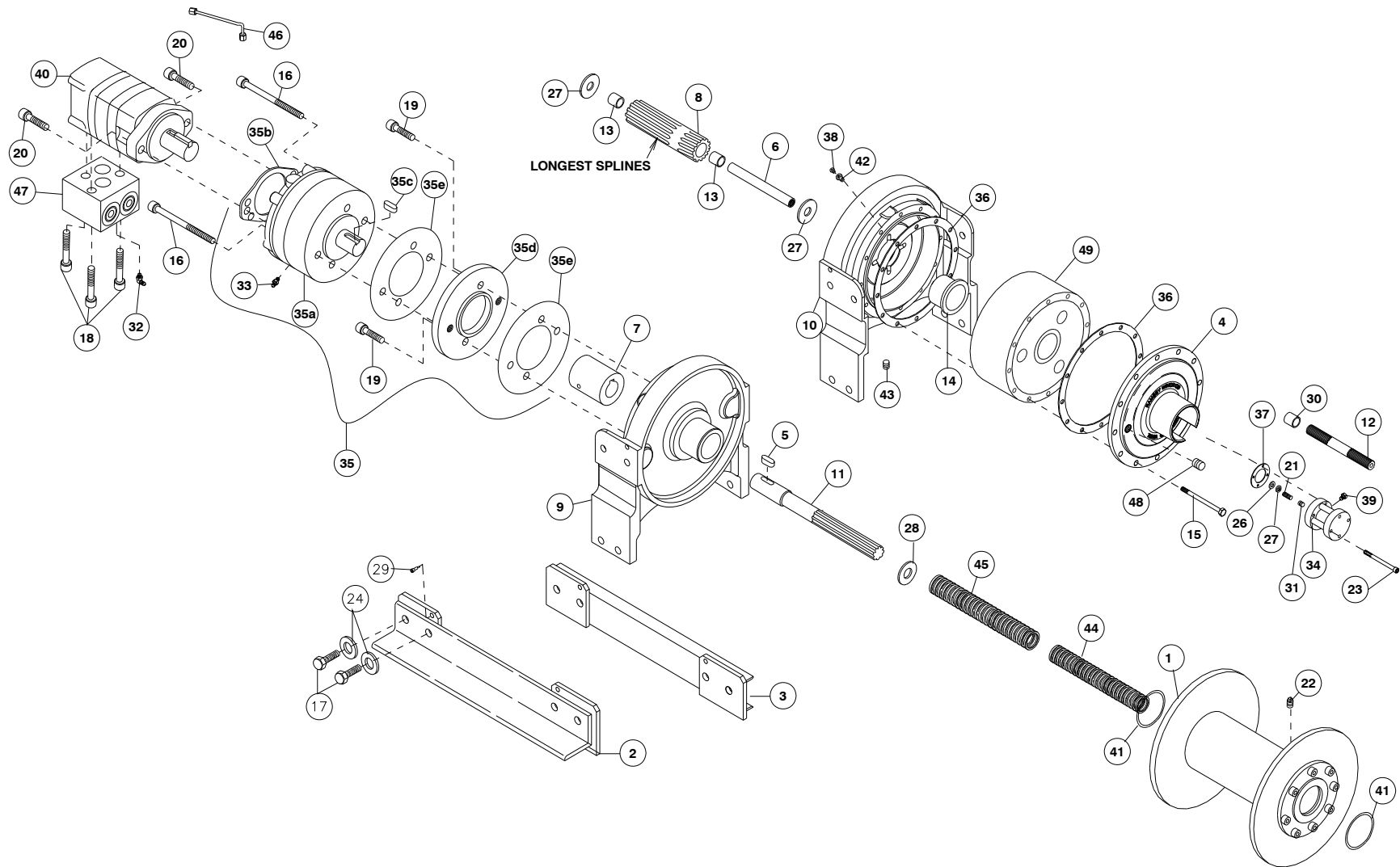
WITH PLUG AND CARTRIDGE IN POSITION SHOWN CABLE DRUM ROTATES CLOCKWISE, AS VIEWED FROM MOTOR END OF WINCH, TO REEL CABLE IN. LOCATION OF PLUG AND CARTRIDGE MUST BE REVERSED FOR OPPOSITE ROTATION



DIMENSIONS SHOWN ARE INCHES OVER MILLIMETERS
RIGHT HAND SHOWN (LEFT HAND OPPOSITE)

MODEL RPH-50,000

R.H. MOUNTING CONFIGURATION



RPH 50,000 WINCH

PARTS LIST – RPH 50000

ITEM	QTY.	PART #	DESCRIPTION	ITEM	QTY.	PART #	DESCRIPTION
1	1	234156	DRUM ASSEMBLY	27	2	418460	WASHER – CLUTCH, 2-1/4 x .938 ID
2	1	243037	TIE BAR	28	1	418440	WASHER – SPRING, 1-3/4 OD
3	1	243038	TIE BAR	29	4	418453	SHOULDER BOLT
4	1	328158	GEAR BOX COVER	30	1	426044	SPACER – CLUTCH
5	1	342081	KEY – RD. END	31	1	426045	INSERT
6	1	324283	COUPLING – SHAFT	32	1	432018	FITTING – HYD. 7/16-20 90° ELBOW
7	1	299733	COUPLING – BRAKE	33	1	432023	FITTING – 7/16-20 STRAIGHT
8	1	324295	COUPLING – OUTPUT	34	1	433017	AIR CYLINDER
9	1	338340	END BEARING – MOTOR	35	1	438037	BRAKE ASSEMBLY:
10	1	338341	END BEARING – GEAR	a	1		BRAKE
11	1	357492	SHAFT – INPUT	b	1		MOTOR GASKET
12	1	358064	SHAFT – SHIFTER	c	1		BRAKE SHAFT KEY
13	2	402117	BEARING	d	1		ADAPTER PLATE
14	1	412086	BUSHING – THRUST	e	2		ADAPTER PLATE GASKET
15	12	414557	CAPSCREW 1/2-13NC X 6 LG. HX HD GR 5	36	2	442210	GASKET – GEAR BOX
16	2	414595	CAPSCREW 1/2-13NC X 3 1/2 LG HX HD GR 8	37	1	442217	GASKET – AIR CYLINDER
17	8	414784	CAPSCREW 7/8-9NC X 2 LG. HX HD GR 5	38	1	456008	RELIEF FITTING
18	3	414935	CAPSCREW 3/8-16NC X 2-1/2 LG. HX SOC HD	39	1	456038	BREATHER VENT
19	2	414947	CAPSCREW 1/2-13 NC X 1LG. SOC HD	40	1	458076	MOTOR – HYDRAULIC (W/KEY INCLUDED)
20	2	414948	CAPSCREW 1/2-13 NC X 1-1/4 LG. SOC HD	41	2	462040	QUAD. RING
21	1	416051	SETSCREW 5/16-24NF X 1 LG. SOC HD	42	1	468004	REDUCER
22	1	416072	SETSCREW 1/2-13NC X 3/4 LG. HX SOC HD	43	1	468019	PIPE PLUG
23	4	416211	CAPSCREW #10-24 NC X 3.25 HX SOC HD	44	1	494106	SPRING
24	8	418261	LOCKWASHER 7/8 MED. SECT	45	1	494114	SPRING – CLUTCH, OUTER
25	1	418429	WASHER - THRUST	46	1	509124	TUBE ASSEMBLY
26	1	418430	NUT – 5/16-24 NF X 1/8 THK, LOCK	47	1	516014	VALVE – CONTROL
				48	1	468040	PIPE PLUG
				49	1	530172	GEAR BOX

**RAMSEY WINCH INDUSTRIAL WINCH
LIMITED WARRANTY**

1.1 Scope of Warranty Coverage. Upon the terms and subject to the conditions set forth in this limited warranty:

- (a) RAMSEY WINCH (referred to herein as “**RAMSEY WINCH**” or the “**Manufacturer**”) warrants to each initial end user customer (a “**Purchaser**”) of a new industrial winch together with any accessories manufactured and sold directly from RAMSEY WINCH (the “**Product**”) that the Product shall be free from defects in material and workmanship, under normal working and service conditions, for a period of eighteen (18) months from the date the Product is shipped from RAMSEY WINCH. (the “**Warranty Term**”). A Purchaser shall be eligible for an additional eighteen (18) months of coverage in addition to the Warranty Term (also referred to as the “**Standard (+) PLUS benefit**”) only if the Purchaser (i) complies with Section 1.2(a) and (ii) registers the Product during the Warranty Term at myproduct.ramseywinch.com.
- (b) Notwithstanding the foregoing, this warranty does not cover components damaged by accident, abuse, misuse, neglect, untrained operators, collision, overloading, modification, disassembly, rework, misapplication, improper installation, lack of lubrication or maintenance, or improper service. This warranty does not cover the paint or material finish, rope (wire or synthetic), removal or reinstallation of the winch, or normal wear and tear and loss of functionality due to aging of the Product (which may include but is not limited to bearings, bushings, seals, O-rings, gaskets, brake material, motor brushes, electrical cables and more).

1.2 Eligibility of Warranty Coverage.

- (a) A Purchaser shall be eligible for warranty coverage under this Limited Warranty during the Warranty Term only if:
 - (i) Prior to placing a Product in service, and throughout use of the Product during the Warranty Term, the Purchaser provides (or causes to be provided) proper storage such that foreign objects (e.g. rain or debris) cannot enter any Product through entry ports which are normally closed during operation.; and
 - (ii) The Purchaser maintains, or causes to be maintained, the Product according to commercially reasonable standards and utilizes the Product for the purposes for which it was created; and
 - (iii) No repairs or alterations have been made by any party other than RAMSEY WINCH, including Purchaser, unless otherwise authorized in writing by RAMSEY WINCH.

1.3 Transferability of Warranty.

- (a) This warranty is transferable only from the Purchaser to the first subsequent transferee (the “**Transferee**”) of the Product from Purchaser upon (i) written notification to RAMSEY WINCH and (ii) registration of the transfer, both within 30 days of such Product transfer.
- (b) Upon satisfaction of transfer requirements set forth in Section 1.3(a), the Transferee shall succeed to all the rights and obligations of the Purchaser set forth in this Limited Warranty.

1.4 Certain Limitations on Scope of Warranty Service.

- (a) Any obligation of RAMSEY WINCH under this warranty, statutory or otherwise, is limited to the repair of the Product, at its factory or Authorized Service Centers. Notwithstanding the foregoing, if field service or repair is performed by RAMSEY WINCH at the request of the Purchaser and no defect is found with material or workmanship of the Product, the Purchaser shall compensate RAMSEY WINCH for its time and expenses within thirty (30) days of delivery of an invoice relating to the same. If repair is determined by RAMSEY WINCH in its sole, absolute and uncontrolled discretion to be impossible or impractical, then RAMSEY WINCH may satisfy this warranty by replacing the Product. RAMSEY WINCH will not provide any cash payment or credits for defective materials or workmanship.

- (b) Purchaser shall be responsible for any and all freight charges for any Product receiving warranty service under this limited warranty. Any travel time, transportation charges, freight charges, or similar costs incurred by RAMSEY WINCH in connection with the replacement or repair of defective parts, shall, be the responsibility of the Purchaser. If applicable, RAMSEY WINCH shall invoice Purchaser for the total amount of such charges within sixty (60) days of fulfilling its duties under this warranty, payable within thirty (30) days of delivery of such invoice. In no event shall RAMSEY WINCH be liable for bills for service, labor or other expenses that have been incurred by the Purchaser without approval or prior authorization by RAMSEY WINCH for inspection, maintenance, or repair of the Product.
- (c) If a Product is found to be operable upon inspection, the Product, at Purchaser's election, may be either (1) returned to the Purchaser with a service charge from RAMSEY WINCH for inspection, cleaning, and routine replacement of all rubber components and any other parts that show wear; or (2) RAMSEY WINCH can dispose of the product safely.

1.5 **Limitations of Liability.** RAMSEY WINCH shall in no event be liable for punitive, special or consequential damages relating to the Product or this Warranty. RAMSEY WINCH makes no warranty in respect to third-party accessories, upgrades, or additions to the Product.

1.6 **Improving Product.** RAMSEY WINCH reserves the right to improve the Product through changes in design or materials as it may deem desirable or necessary without being obligated to incorporate, upgrade, or otherwise modify previously manufactured products.

1.7 **Limitations of Warranty.**

- (a) THE WARRANTY SET FORTH ABOVE IS THE ONLY EXPRESS WARRANTY. RAMSEY WINCH HEREBY DISCLAIMS AND EXCLUDES ANY OTHER EXPRESS, IMPLIED, OR STATUTORY WARRANTIES, ARISING BY OPERATION OF LAW, COURSE OF DEALING, COURSE OF PERFORMANCE, USAGE, OF TRADE, OR OTHERWISE, INCLUDING, WITHOUT LIMITATION, ANY WARRANTIES OF MERCHANTABILITY, FITNESS FOR A PARTICULAR PURPOSE, AND INTELLECTUAL PROPERTY RIGHTS OF A THIRD PARTY.
- (b) ANY IMPLIED WARRANTY WHICH BY LAW MAY NOT BE EXCLUDED IS LIMITED IN DURATION TO ONE (1) YEAR FROM THE DATE OF ORIGINAL RETAIL PURCHASE OF THE PRODUCT.
- (c) This warranty gives you specific legal rights, and you may also have other rights which vary from jurisdiction to jurisdiction.
- (d) This warranty is valid only in the U.S.A. and Canada. For warranty outside the U.S.A. and Canada contact your nearest Ramsey Winch Distributor.

1.8 **No Modifications to Warranty.** No RAMSEY WINCH dealer, distributor, agent or employee is authorized to make any modification, extension or addition to this warranty.

1.9 **How to Apply for Warranty Coverage.**

All claims are handled by contacting your nearest Ramsey Winch Distributor. For questions, please contact customer support: rwcustomersupport@ramseyindustries.com.

Visit [Dealer Locator - Ramsey Winch](#) for Ramsey Winch Distributor locations and contact information.

Additional warranty, service support, product information, and parts information can be found on www.ramseywinch.com.

NOTES

