



Ramsey Winch Company
OWNER'S MANUAL
Front and Rear Mount
Detachable Electric Winch
Model Quick-Mount 8000 (QM 8000)



QM 8000						
LAYER OF CABLE		1	2	3	4	
RATED LINE LBS		8,000	6,500	5,500	4,800	
PULL PER LAYER KGS		3,620	2,940	2,490	2,170	
CUMULATIVE CABLE (ft.)*		15	40	70	95	
CAPACITY PER LAYER (M) * (5/16"-8MM-DIA. WIRE ROPE)		4	12	21	28	
LINE PULL (LBS)		0	2,000	4,000	6,000	8,000
FIRST LAYER (KGS)		0	900	1,810	2,710	3,620
LINE SPEED FPM (12V)		35	18	13	10	8
MPM (12V)		10.7	5.5	4	3	2.4
AMP DRAW- 12V		95	210	270	355	420

*Depends on wire rope being uniformly wound onto drum.

Ramsey performance data is compiled from actual winch testing.

Congratulations

You have purchased the finest winch available in its service class. The Quick Mount is a detachable winch. It can be easily mounted to the front or rear of a vehicle for self recovery and other applications. It allows one winch to be used on multiple vehicles, and can be quickly installed and removed to avoid extra vehicle weight.

The Quick Mount comes with a 12 ft. remote control switch, anti-theft locking pin and a hawse fairlead. Front mount requires a front receiver mounting kit. Optional 5 ft., 20 ft. or 24 ft. battery cables for front or rear mounting are available.

The Quick Mount features a highly efficient 3 stage planetary gear set which transmits torque from a series wound D.C. motor. A positive clutch allows free spooling for quick cable deployment. An automatic load holding brake is designed to hold the full rated capacity of the winch. It was designed and manufactured to provide you with the utmost in utility. As with any device that combines power and movement in its use, there are dangers if improperly used. At the same time, there are easier and faster ways for getting the job done if certain precautions are taken first.

Please read this manual carefully. It contains useful ideas in obtaining the most efficient operation from your Ramsey Winch and safety procedures you need to know before beginning use.

When you follow our guidelines for operation, your Ramsey Winch will give you many years of satisfying service. Thank you for choosing Ramsey. You will be glad you have one working for you.

Contents	
Performance Specifications	1
Safety Precautions	2
Tips for Safe Operation	3
Techniques of Operation	3
Assembling Your Winch	4
Installation	5
Clutch Operation	5
Remote Control Operation	5
Maintenance	5
Cable Installation	6
Troubleshooting Guide	6
Winch Parts List	7-8
Warranty	Back Cover

Please Note: Ramsey Quick Mount series winches are designed for front and rear mount vehicle use. The winches are not designed for and should not be used in industrial applications (car haulers /carriers, wreckers, hoisting, etc.), and Ramsey does not warrant them to be suitable for such use. Ramsey makes a separate, complete line of winches for industrial/commercial use. Please contact the factory for additional information.



CAUTION: Read and understand this manual before installation and operation of winch. See Safety Precautions.



Safety Precautions To Guard Against Possible Injury.....

A minimum of five wraps of cable around the drum barrel is necessary to hold the rated load. Cable clamp is not designed to hold the load.

- A. Secure Quick Mount locking pin into place before starting winching operation.
- B. Use only locking pin #448097.
- C. Front mount receiver is for use with the Quick Mount winch only. Do not use for towing.
- D. Keep yourself and others a safe distance to the side of the cable when pulling under load.
- E. Do not step over a cable, or near a cable under load.
- F. Use supplied hook strap when handling hook for spooling wire rope.
- G. Do not move the vehicle to pull a load on the winch cable. This could result in cable breakage and/or winch damage.
- H. Use a heavy rag or gloves to protect hands from burrs when handling winch cable.
- I. Apply blocks to wheels when vehicle is on an incline.
- J. Winch clutch should be disengaged when winch is not in use and fully engaged when in use.
- K. Modification, alteration, or deviation to the winch should only be made by Ramsey Winch Company.
- L. Keep the duration of your pulls as short as possible. If the motor becomes uncomfortably hot to the touch, stop and let it cool for a few minutes. Do not pull more than one minute at or near the rated load. Do not maintain power to the winch if the motor stalls. Electric winches are for intermittent usage and should not be used in constant duty applications.
- M. Disconnect the remote control switch from the winch when not in use. A Ramsey Part No. 282053 battery disconnect switch in your vehicle is recommended.
- N. Do Not use winch in hoisting applications due to required hoist safety factors and features.
- O. Do not exceed maximum line pull ratings shown in tables. Shock loads must not exceed these ratings.

- P. To respool correctly, it is necessary to keep a slight load on the cable. This is accomplished by (wearing gloves) holding the cable with one hand and the remote control with the other, starting as far back and in the center as you can, walking up keeping load on the cable as the winch is powered in. Do not allow the cable to slip through your hand and do not approach the winch too closely. Turn off the winch and repeat the procedure until all the cable except a few feet is in. Disconnect the remote control switch and finish spooling in cable by rotating the drum by hand with clutch disengaged.



Tips for Safe Operation

Do not underestimate the potential danger in winching operations. Neither should you fear them. Do learn the basic dangers and avoid them.

Observe spooling of cable onto drum. Side pulls can cause cable to pile up at one end of the drum. To correct uneven stacking, spool out that section of the cable and move it to the other end of the drum and continue winching. Uneven spooling which causes cable pileup can interfere with the solenoid housing causing damage to the winch.

Store the remote control switch inside your vehicle where it will not become damaged. Inspect it before you plug it in.

When ready to begin spooling in, plug in remote control switch with clutch disengaged. Do not engage clutch with motor running.

Never connect the hook back to the cable. This causes cable damage. Always use a sling or chain of suitable strength as shown in the illustration, page 3.

Observe your winch while winching, if possible, while standing at a safe distance. If you use vehicle drive to assist, stop and get out every few feet to assure the cable is not piling up in one corner. Jamming cable can break your winch.

Do not attach tow hooks to winch mounting apparatus. They must attach to vehicle frame.

When double lining during stationary winching, the winch hook should be attached to the chassis of the vehicle.

Since the greatest pulling power is achieved on the innermost layer of your winch, it is desirable to pull off as much line as you can for heavy pulls. If this is not practical, use a snatch block and double line arrangement as shown in the illustration on page 3. Remember, a minimum of 5 wraps of cable around the drum barrel is necessary to hold the rated load.

Neat, tight spooling avoids cable binding. Cable binding occurs when a cable under load pulls down into the layer below, becoming pinched between two other wraps of cable. If this happens, alternately power the winch in and out a few inches. Do not attempt to work a bound cable under load; free by hand.

Techniques of Operation

The best way to get acquainted with how your winch operates is to make a few test runs before you actually need to use it. Plan your test in advance. Remember you hear your winch as well as see it operate. Get to recognize the sound of a light steady pull, a heavy pull, and sounds caused by load jerking or shifting. Soon you will gain confidence in operating your winch and its use will become second nature with you.

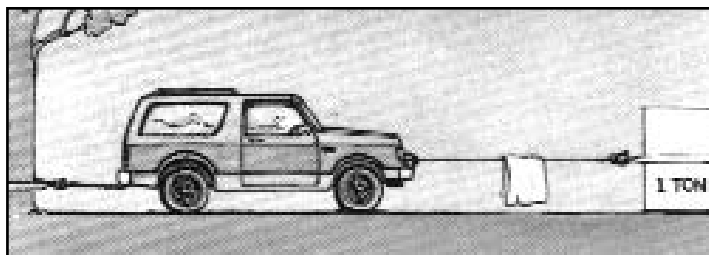
When pulling a heavy load, place a blanket, jacket or tarpaulin over the cable five or six feet from the hook. It will slow the snap back in the event of a broken cable. Also, open the vehicle hood for additional protection.

Use the vehicle wheel power to help the winch, but do not overtake the winch line. Plan your pull. You can not always hook up and pull out in one step. Examine the area for anchoring possibilities as well as leverage situations, direction, and goal.

Your winch will not only pull you up or ease you down a steep grade, it will also pull another vehicle or a load while your vehicle is anchored in a stationary position. The following illustrations show a few basic winching techniques.



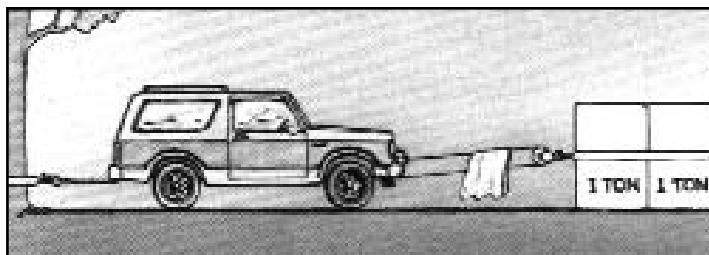
For basic self recovery, anchor to a tree or heavy rock. When anchoring to a tree, always use a tree trunk protector.



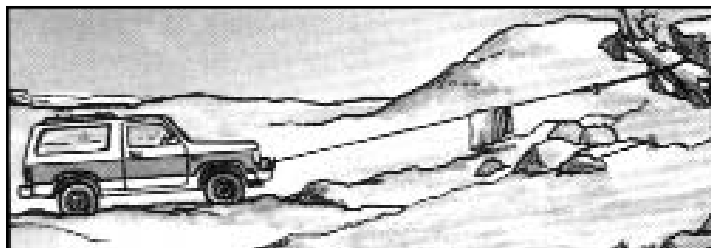
For a direct pull of 2,000 lbs., hitch truck to a tree or solid anchor, and take out of gear.



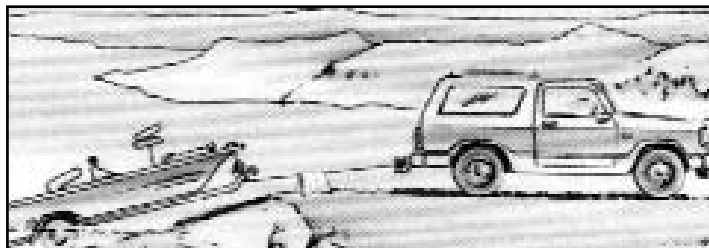
Stakes driven in solid earth and chained together make a good anchor point for self-recovery when no solid anchor point is available.



To double the pull, use 2-part line with snatch block and tie off to chassis. Take out of gear.



For a solid anchor, bury a log with earth or sand or place it in a deep ravine



Use for loading and unloading boats, trailers, race cars, etc.

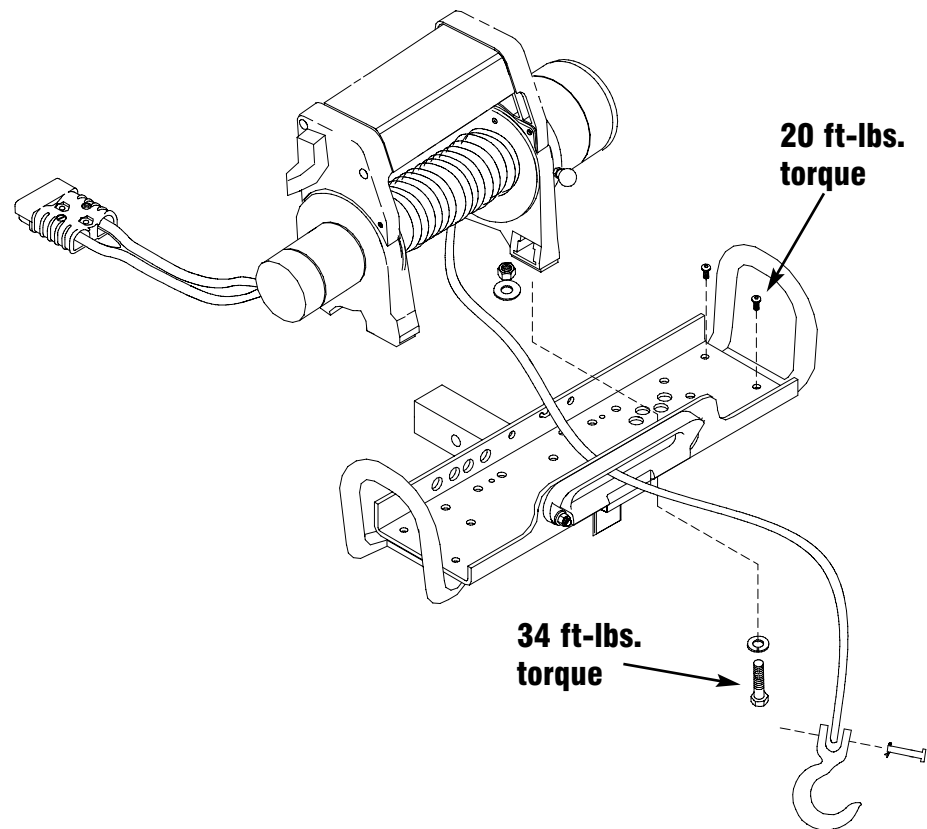
Assembling Your Winch

To assemble the QM-8000 winch to the quick mount channel, attach the handles to both ends of the quick mount channel using (2) black 3/8" button head screws for each handle. Tighten to 20 ft-lbs. torque.

Once the handles are attached, lift the winch into the quick mount channel. Feed the looped end of the pre-wrapped cable through the fairlead.

Place a 3/8" nut and flatwasher in each of the feet. Align the four mounting holes in the quick mount channel with the feet of the winch. Place a lockwasher on each 3/8" hex head screw and then press a screw through each mounting hole and start it through a nut. Do not tighten until all of the screws have been started. Tighten to 34 ft-lbs. torque.

Align the base of the clevis hook with the loop on the end of the cable. Run the pin through the clevis hook and the loop. Push the cotter pin through the hole in the pin and bend the cotter pin to lock.



Installation

The Quick Mount is solely and exclusively designed for vehicle mounted, non-industrial applications. All other applications will void warranty.

The Quick Mount must be front mounted with a front receiver hitch available from Ramsey for selected vehicles. For rear mounting of the QM, a SurePull Class III rear receiver or equivalent with a 5,000 lb. minimum weight carrying rating must be used.

For normal self recovery work, your existing electrical system is adequate. Your battery must be kept in good condition. A fully charged battery and proper connections are essential.

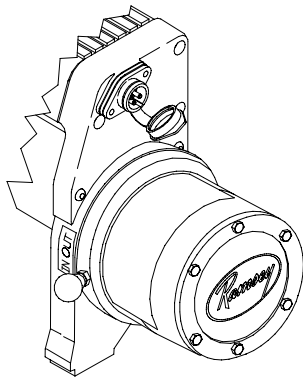
For front mounting, route quick connect battery power lead through grille, leaving connector on outside and connect red cable to positive(+) terminal and black cable to negative(-) terminal of battery. Secure cable under hood with cable ties.

For rear mounting connect battery power lead as instructed above. Secure cables under vehicle away from moving parts and exhaust system. Terminate routing near the center of the vehicle at the rear. **BE SURE BATTERY CABLES ARE NOT DRAWN TAUT ACROSS ANY SURFACES WHICH COULD POSSIBLY DAMAGE THEM.**

Secure Quick Mount in the receiver with the Ramsey locking pin. Connect quick disconnect from Quick Mount winch to battery power lead. Plug remote switch into receptacle on solenoid assembly.

Clutch Operation

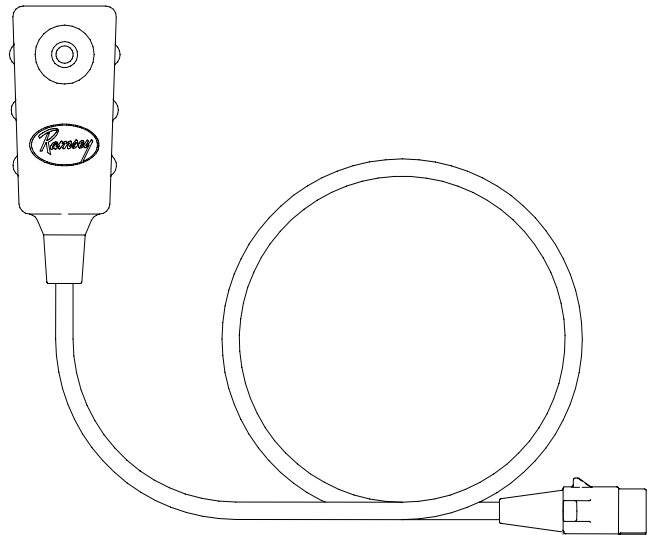
The winch clutch allows rapid unspooling of the cable for hooking onto the load or anchor point. The clutch is operated by the shifter tab located on the gear housing end of the winch. Disengage the clutch (move the clutch shifter tab to the "OUT" position). Free spool some cable off the drum. Engage the clutch (move the clutch shifter tab to the "IN" position).



Remote Control Switch Operation

The remote control switch is waterproof and has push button stations on either side. It is designed this way to prevent quick winch reversals which lead to premature solenoid failure. The switch is also color coded to aid you in not having to guess at the direction your winch will run. Make sure the motor has stopped fully before reversing. Run the winch forward and reverse to check connections. Snap appropriate plastic disc into proper thumb button cavity on remote switch after determining direction of rotation for winch drum.

DO NOT LEAVE SWITCH PLUGGED IN WHEN WINCH IS NOT IN USE.



Maintenance

Corrosion on electrical connections will reduce performance or may cause a short. Clean all connections, especially in remote control switch and receptacle. In salty environments use a silicone sealer to protect from corrosion.

All moving parts in the winch are permanently lubricated with high temperature lithium grease at the time of assembly. Under normal conditions, factory lubrication will suffice.

Lubricate the cable periodically using light penetrating oil. If the cable becomes worn or damaged it must be replaced. Inspect for broken strands and replace if necessary (see the next section for cable replacement instructions).

To minimize corrosion of the internal motor components that may occur due to condensation, power the winch in or out periodically. Energizing the motor will generate heat, which will help dissipate any moisture buildup in the motor. This should be performed at periodic intervals. (such as with each oil change to your vehicle. **Note:** Refer to Troubleshooting Guide if motor has been submerged.

Cable Installation

Unwind the new cable by rolling it out along the ground, to prevent kinking. Remove old cable and observe the manner in which it is attached to the drum. Before installing the new cable assembly, securely wrap the end of the cable with plastic tape or similar tape to prevent fraying.

Position the cable drum so that the large 13/32" diameter hole in the motor end drum flange is approximately on the top. Form a short bend (approximately 1/2" long) in the end of the cable. Insert the bend into the 13/32" hole in the drum flange and then carefully run the winch in the "reel in" direction approximately 3/4 revolution until the 1/4" diameter threaded hole in the drum flange is on top.

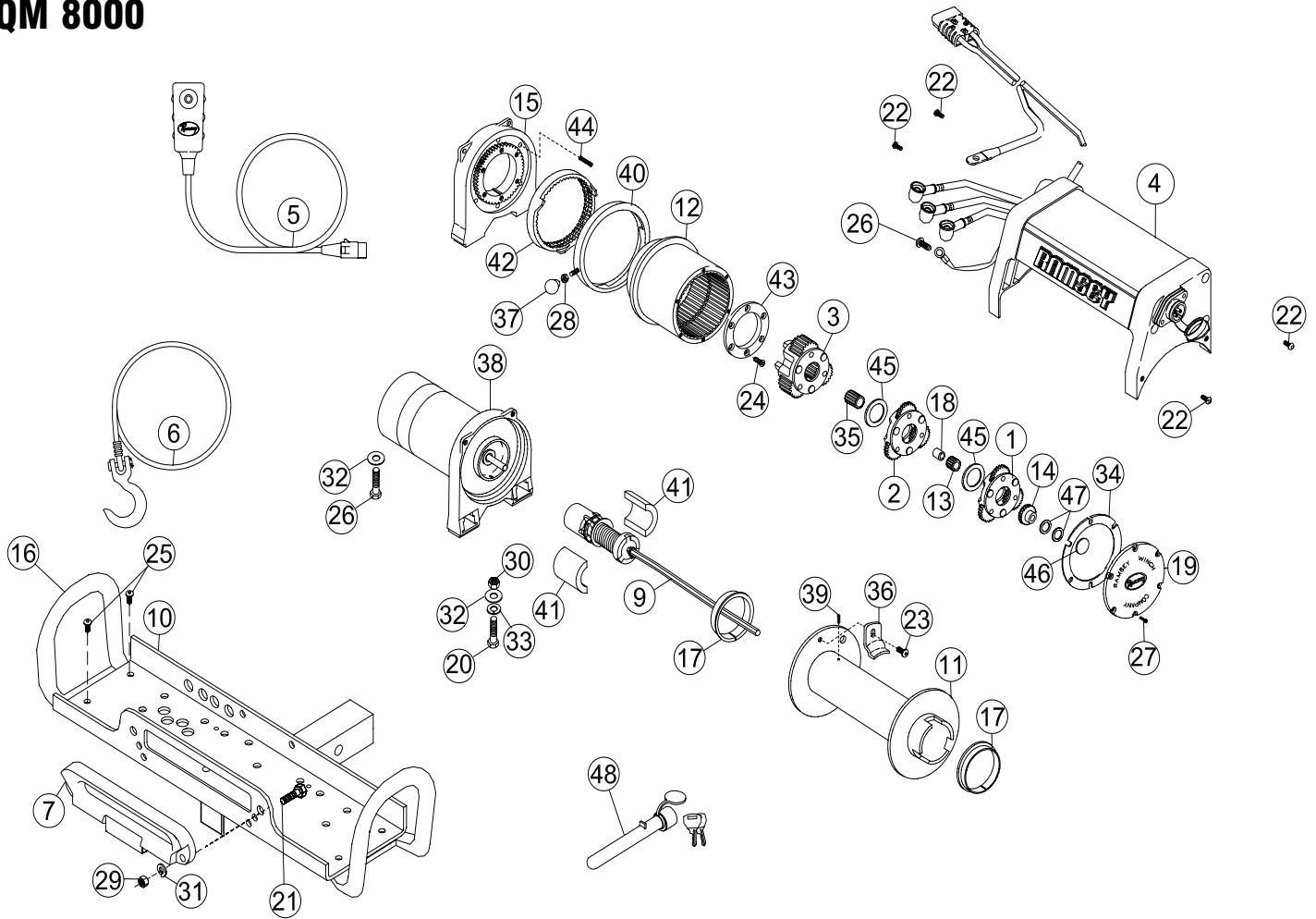
Secure the cable to the drum flange using cable anchor and capscrew shown in the parts drawing on page 7. Securely tighten the capscrew, but do not over-tighten.

Wind 5 wraps of cable onto the drum. Wind on the rest of the cable by pulling in a light load to keep the tension constant. Allow the cable to swivel by using a length of chain or a swivel block between the cable hook and the load.

Troubleshooting Guide

CONDITIONS	POSSIBLE CAUSE	CORRECTION
MOTOR RUNS IN ONLY ONE DIRECTION	Defective solenoid or stuck solenoid.	Jar each solenoid to free contacts. Check each solenoid by applying power to coil terminal (it should make an audible click when energized).
	Defective remote control switch plug.	Disengage winch clutch, remove remote control switch from the socket and jump pins at 8 and 4 o'clock. Motor should run. Jump pins at 8 and 10 o'clock. Motor should run.
MOTOR RUNS EXTREMELY HOT	Long period of operation	Cooling-off periods are essential to prevent overheating.
	Insufficient battery	Check battery terminal voltage under load. If 10 volts or less, replace or parallel another battery to it.
MOTOR RUNS, BUT WITH INSUFFICIENT POWER, OR WITH LOW LINE SPEED	Bad connection	Check battery cable for corrosion; clean and grease.
	Insufficient charging system	Replace with larger capacity charging system.
MOTOR RUNS, BUT DRUM DOES NOT TURN	Clutch not engaged	If clutch engaged but symptoms still exists, it will be necessary to disassemble winch to determine cause and repair.
MOTOR WILL NOT OPERATE	Defective solenoid or stuck solenoid.	Jar solenoid to free contacts. Check solenoid by applying power to coil terminal (it should make an audible click when energized).
	Defective remote control switch plug	Disengage winch clutch, remove remote control switch from the socket and jump pins at 8 and 4 o'clock. Motor should run. Jump pins at 8 and 10 o'clock. Motor should run.
	Defective motor	If solenoids operate, check for voltage at armature post; replace motor.
	Loose connections	Tighten connections on bottom side of hood and on motor.
MOTOR WATER DAMAGED	Submerged in water or water from high pressure car wash	Allow to drain and dry thoroughly, then run motor without a load in short bursts to dry windings.

QM 8000



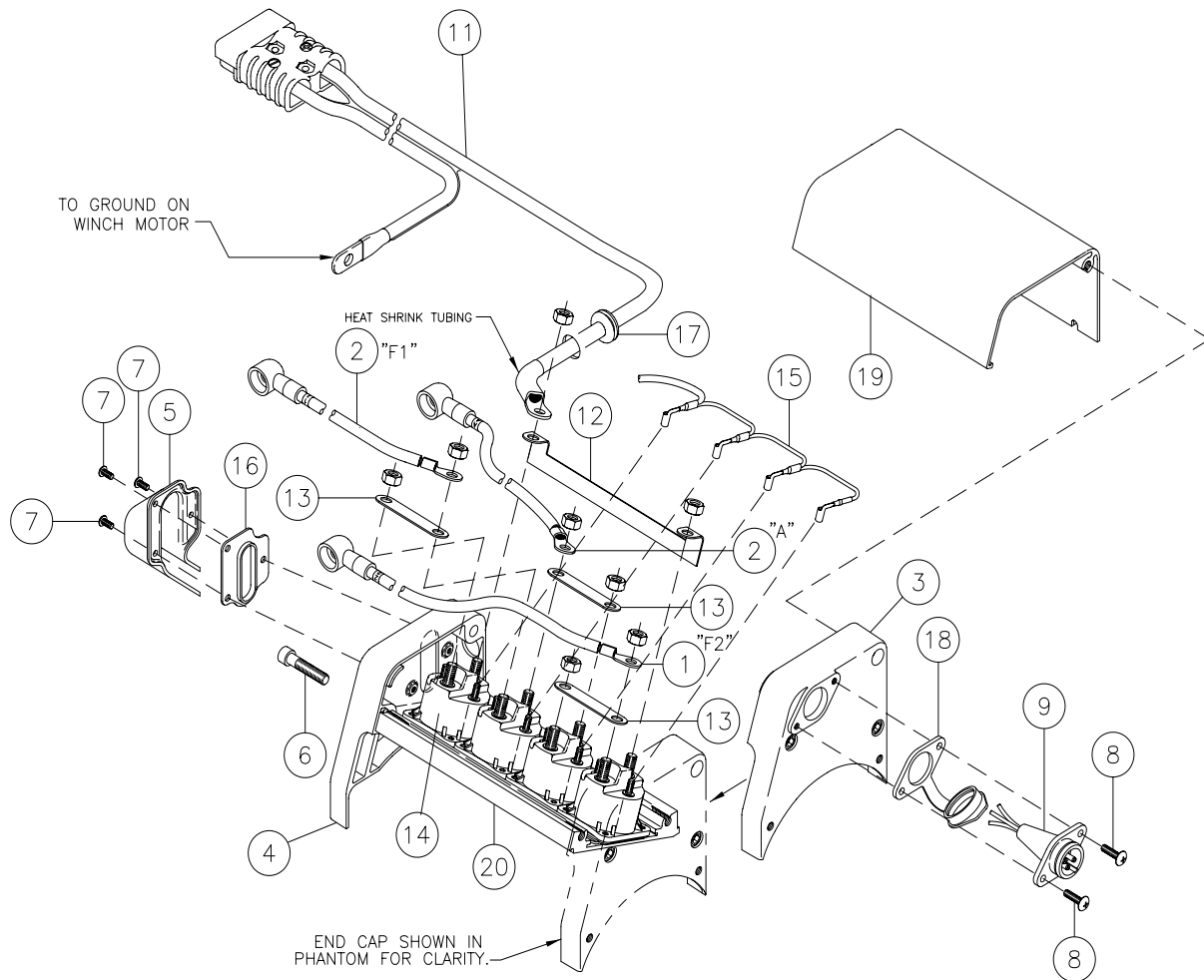
Winch Parts List QM 8000

ITEM NO	QTY	PART NO	DESCRIPTION	ITEM NO	QTY	PART NO	DESCRIPTION
1	1	247024	GEAR CARRIER ASSY - INPUT	25	4	414937	SCREW 3/8-16NC X 3/4" HEX SOC BUTT. HD
2	1	247005	GEAR CARRIER ASSY - INTERMEDIATE	26	1	414370	CAPSCREW 3/8-24 NF X 1/2 HX. HD.
3	1	247008	GEAR CARRIER ASSY-OUTPUT	27	6	416273	SCREW #6-32NC X 3/8" FIL HD F/B
4	1	278180	SOLENOID ASS'Y.	28	1	418029	NUT 5/16-18NF HX. JAM PLTD
5	1	251110	SWITCH ASS'Y.	29	2	418033	NUT 3/8-16NC HX. REG. F/B
6	1	251118	CABLE ASS'Y-5/16 DIA. X 95'	30	4	418035	NUT 3/8-16NC HX. REG. PLTD
7	1	251152	FAIRLEAD	31	2	418175	LOCKWASHER 3/8 ID MED. SECT. F/B
8				32	5	418177	LOCKWASHER 3/8 ID MED. SECT. PLTD
9	1	296553	BRAKE/SHAFT ASS'Y.	33	4	418181	WASHER-FLAT 3/8 ID SAE PLTD
10	1	299697	WINCH MOUNTING ASS'Y.	34	1	442207	GASKET-COVER
11	1	332128	DRUM-CABLE	35	1	444048	GEAR-OUTPUT SUN
12	1	334143	GEAR-RING	36	1	448046	CABLE ANCHOR
13	1	334145	GEAR-INTERMEDIATE SUN	37	1	452001	KNOB-SHIFTER
14	1	444097	GEAR-INPUT SUN	38	1	296570	MOTOR
15	1	338337	END BEARING-GEAR HOUSING	39	1	470053	ROLL PIN 1/8" DIA X 3/8" LG
16	2	395294	HANDLE	40	1	477011	CAM RING
17	2	412056	BUSHING-DRUM	41	2	477004	RING-HALF
18	1	412061	BUSHING-SHAFT	42	1	477002	LOCKING RING
19	1	413018	COVER-GEAR HOUSING	43	1	479007	RETAINER-RING GEAR
20	4	414316	CAPSCREW 3/8-16NC X1-1/4LG.HX.HD. GR.5 PLTD	44	6	494077	SPRING
21	2	414320	CAPSCREW 3/8-16NC X1-1/4LG.HX.HD. GR.5 F/B	45	2	518020	THRUST WASHER
22	4	414823	CAPSCREW 1/4-20NC X 3/4" LG. SOC. BUTT.HD. F/B	46	1	518027	THRUST DISC
23	1	414830	CAPSCREW 1/4-20NC X 3/8" LG. BUTT HD	47	2	518019	THRUST WASHER
24	6	414861	CAPSCREW 1/4-20NC X 3/4" FLAT SOC HD NYLON	48	1	448097	LOCKING PIN

Solenoid Assembly Parts List: QM 8000

278180 12v QM 8000

Item No.	Qty.	Part No.	Description	Item No.	Qty.	Part No.	Description
1	1	289195	WIRE ASSEMBLY - #2 GA 13.25" MOTOR LEAD	11	1	440180	WIRE ASSEMBLY - 24" QUICK CONNECT
2	2	289196	WIRE ASSEMBLY - #2 GA 14.5" MOTOR LEAD	12	1	440259	STRAP - COPPER
3	1	316101	CAP - LH END	13	3	440260	STRAP - COPPER
4	1	316103	CAP - RH END	14	4	440262	SOLENOID - 12V
5	1	413078	COVER - ASSEMBLY	15	1	440276	WIRE ASSEMBLY - SOLENOID GROUND
6	6	414880	CAPSCREW - 5/16-18NC X 1-1/2 HX SOC F/B	16	1	442222	GASKET
7	3	416207	SCREW - #8-32NC X 3/8 HX SOC BUTT HEAD F/B	17	1	472047	GROMMET
8	2	416227	SCREW - #10-24NC X 3/4 TRUSS RECESS F/B	18	1	482029	COVER - FEMALE RECEPTACLE
9	1	430022	CONNECTOR - FEMALE RECEPTACLE	19	1	682166	COVER - WIRE
10	1	440138	TIE - CABLE	20	1	682167	CHANNEL - SOLENOID



**RAMSEY WINCH INDUSTRIAL WINCH
LIMITED WARRANTY**

1.1 Scope of Warranty Coverage. Upon the terms and subject to the conditions set forth in this limited warranty:

- (a) RAMSEY WINCH (referred to herein as “**RAMSEY WINCH**” or the “**Manufacturer**”) warrants to each initial end user customer (a “**Purchaser**”) of a new industrial winch together with any accessories manufactured and sold directly from RAMSEY WINCH (the “**Product**”) that the Product shall be free from defects in material and workmanship, under normal working and service conditions, for a period of eighteen (18) months from the date the Product is shipped from RAMSEY WINCH. (the “**Warranty Term**”). A Purchaser shall be eligible for an additional eighteen (18) months of coverage in addition to the Warranty Term (also referred to as the “**Standard (+) PLUS benefit**”) only if the Purchaser (i) complies with Section 1.2(a) and (ii) registers the Product during the Warranty Term at myproduct.ramseywinch.com.
- (b) Notwithstanding the foregoing, this warranty does not cover components damaged by accident, abuse, misuse, neglect, untrained operators, collision, overloading, modification, disassembly, rework, misapplication, improper installation, lack of lubrication or maintenance, or improper service. This warranty does not cover the paint or material finish, rope (wire or synthetic), removal or reinstallation of the winch, or normal wear and tear and loss of functionality due to aging of the Product (which may include but is not limited to bearings, bushings, seals, O-rings, gaskets, brake material, motor brushes, electrical cables and more).

1.2 Eligibility of Warranty Coverage.

- (a) A Purchaser shall be eligible for warranty coverage under this Limited Warranty during the Warranty Term only if:
 - (i) Prior to placing a Product in service, and throughout use of the Product during the Warranty Term, the Purchaser provides (or causes to be provided) proper storage such that foreign objects (e.g. rain or debris) cannot enter any Product through entry ports which are normally closed during operation.; and
 - (ii) The Purchaser maintains, or causes to be maintained, the Product according to commercially reasonable standards and utilizes the Product for the purposes for which it was created; and
 - (iii) No repairs or alterations have been made by any party other than RAMSEY WINCH, including Purchaser, unless otherwise authorized in writing by RAMSEY WINCH.

1.3 Transferability of Warranty.

- (a) This warranty is transferable only from the Purchaser to the first subsequent transferee (the “**Transferee**”) of the Product from Purchaser upon (i) written notification to RAMSEY WINCH and (ii) registration of the transfer, both within 30 days of such Product transfer.
- (b) Upon satisfaction of transfer requirements set forth in Section 1.3(a), the Transferee shall succeed to all the rights and obligations of the Purchaser set forth in this Limited Warranty.

1.4 Certain Limitations on Scope of Warranty Service.

- (a) Any obligation of RAMSEY WINCH under this warranty, statutory or otherwise, is limited to the repair of the Product, at its factory or Authorized Service Centers. Notwithstanding the foregoing, if field service or repair is performed by RAMSEY WINCH at the request of the Purchaser and no defect is found with material or workmanship of the Product, the Purchaser shall compensate RAMSEY WINCH for its time and expenses within thirty (30) days of delivery of an invoice relating to the same. If repair is determined by RAMSEY WINCH in its sole, absolute and uncontrolled discretion to be impossible or impractical, then RAMSEY WINCH may satisfy this warranty by replacing the Product. RAMSEY WINCH will not provide any cash payment or credits for defective materials or workmanship.

- (b) Purchaser shall be responsible for any and all freight charges for any Product receiving warranty service under this limited warranty. Any travel time, transportation charges, freight charges, or similar costs incurred by RAMSEY WINCH in connection with the replacement or repair of defective parts, shall, be the responsibility of the Purchaser. If applicable, RAMSEY WINCH shall invoice Purchaser for the total amount of such charges within sixty (60) days of fulfilling its duties under this warranty, payable within thirty (30) days of delivery of such invoice. In no event shall RAMSEY WINCH be liable for bills for service, labor or other expenses that have been incurred by the Purchaser without approval or prior authorization by RAMSEY WINCH for inspection, maintenance, or repair of the Product.
- (c) If a Product is found to be operable upon inspection, the Product, at Purchaser's election, may be either (1) returned to the Purchaser with a service charge from RAMSEY WINCH for inspection, cleaning, and routine replacement of all rubber components and any other parts that show wear; or (2) RAMSEY WINCH can dispose of the product safely.

1.5 **Limitations of Liability.** RAMSEY WINCH shall in no event be liable for punitive, special or consequential damages relating to the Product or this Warranty. RAMSEY WINCH makes no warranty in respect to third-party accessories, upgrades, or additions to the Product.

1.6 **Improving Product.** RAMSEY WINCH reserves the right to improve the Product through changes in design or materials as it may deem desirable or necessary without being obligated to incorporate, upgrade, or otherwise modify previously manufactured products.

1.7 **Limitations of Warranty.**

- (a) THE WARRANTY SET FORTH ABOVE IS THE ONLY EXPRESS WARRANTY. RAMSEY WINCH HEREBY DISCLAIMS AND EXCLUDES ANY OTHER EXPRESS, IMPLIED, OR STATUTORY WARRANTIES, ARISING BY OPERATION OF LAW, COURSE OF DEALING, COURSE OF PERFORMANCE, USAGE, OF TRADE, OR OTHERWISE, INCLUDING, WITHOUT LIMITATION, ANY WARRANTIES OF MERCHANTABILITY, FITNESS FOR A PARTICULAR PURPOSE, AND INTELLECTUAL PROPERTY RIGHTS OF A THIRD PARTY.
- (b) ANY IMPLIED WARRANTY WHICH BY LAW MAY NOT BE EXCLUDED IS LIMITED IN DURATION TO ONE (1) YEAR FROM THE DATE OF ORIGINAL RETAIL PURCHASE OF THE PRODUCT.
- (c) This warranty gives you specific legal rights, and you may also have other rights which vary from jurisdiction to jurisdiction.
- (d) This warranty is valid only in the U.S.A. and Canada. For warranty outside the U.S.A. and Canada contact your nearest Ramsey Winch Distributor.

1.8 **No Modifications to Warranty.** No RAMSEY WINCH dealer, distributor, agent or employee is authorized to make any modification, extension or addition to this warranty.

1.9 **How to Apply for Warranty Coverage.**

All claims are handled by contacting your nearest Ramsey Winch Distributor. For questions, please contact customer support: rwcustomersupport@ramseyindustries.com.

Visit [Dealer Locator - Ramsey Winch](#) for Ramsey Winch Distributor locations and contact information.

Additional warranty, service support, product information, and parts information can be found on www.ramseywinch.com.

NOTES

NOTES

NOTES

