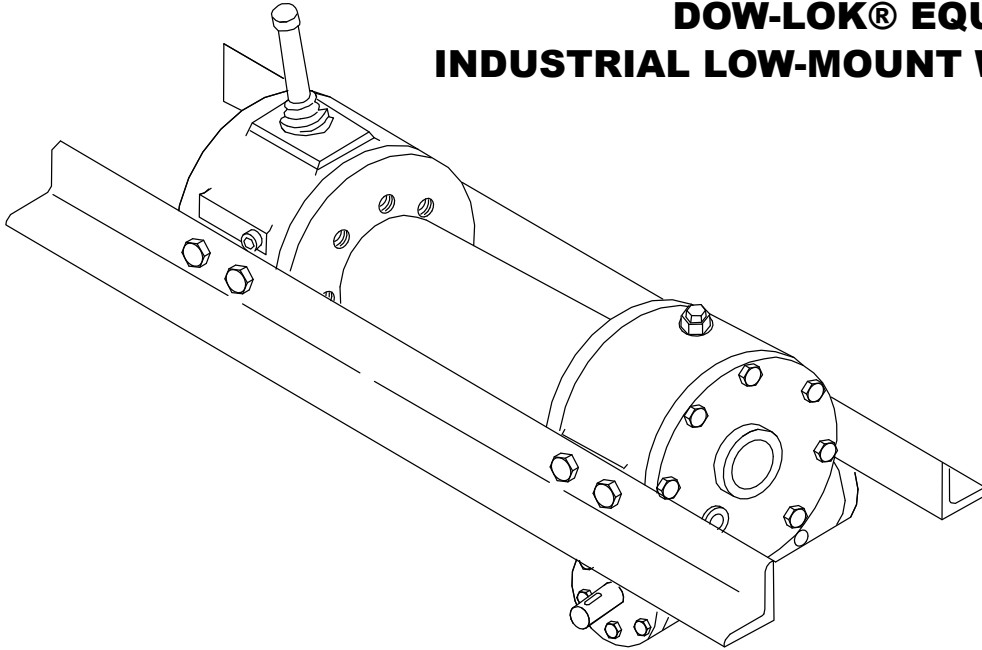




Ramsey Winch Company OWNER'S MANUAL MODEL 800 / H-800 SERIES DOW-LOK® EQUIPPED INDUSTRIAL LOW-MOUNT WINCHES



Rated Line Pull (lbs.)		20,000					
(kg)		9,060					
Gear Reduction		40:1					
	800	Y-800	H-800	HY-800			
Shipping Weight:	315 lbs. (143 Kg)	290 lbs. (132 Kg)	330 lbs. (150 Kg)	325 lbs. (148 Kg)			
Layer of Cable		1	2	3	4	5**	
*Rated line pull per layer	(lbs.)	20,000	16,600	14,200	12,400	11,000	
	(kg)	9,060	7,510	6,430	5,610	4,980	
Cable Capacity	(ft)	35	75	125	180	240	
800 / H-800	(m)*	10	22	38	54	72	
Cable Capacity	(ft)	20	45	75	110	150	
Y-800 / HY-800	(m)*	6	13	22	33	45	
*Line speed							Worm RPM
800	FPM	22	27	32	35	40	570
	MPM	6.6	8.1	9.7	10.9	12.3	
H-800	FPM	18	22	26	29	33	460
	MPM	5.4	6.6	7.9	8.8	10.0	30 GPM
* These specifications are based on recommended wire rope of .63 inch (16mm) diameter 6x19 extra improved plow steel cable							
** Fifth layer does not conform to SAE J706							

Note: The rated line pulls shown are for the winch only. Consult wire rope manufacturer for wire rope ratings

Congratulations

Ramsey Winches are designed and built to exacting specifications. Great care and skill go into every winch we make. If the need should arise, warranty procedure is outlined on the back of your self-addressed postage paid warranty card. Please read and fill out the enclosed warranty card and send it to Ramsey Winch Company. If you have any problems with your winch, please follow instructions for prompt service on all warranty claims. Refer to back page for limited warranty.



CAUTION: READ AND UNDERSTAND THIS MANUAL BEFORE INSTALLATION AND OPERATION OF WINCH. SEE WARNINGS!

Contents

Performance Specifications.....	COVER	Re-assembly.....	13-16
Safety Precautions	1	Dimensional Drawings	
Techniques of Operation.....	2-3	Model 800 / Y-800.....	17
Winch Maintenance	3	Model H-800 / HY-800	18
Winch Mounting.....	4	H-800 / HY-800 Short Coupling	19
Cable Installation.....	4	H-800 / HY-800 Air Shifter	20
Adjusting the Oil Cooled Worm Brake.....	4	HY-800 Short Coupling/Low Profile Shifter.	21
Servicing the Oil Cooled Worm Brake.....	5	Parts List and Parts Drawing	
Re-assembling and Checking the Brake	5	Model 800 / Y-800.....	22-23
Test for Proper Brake Assembly	6	Model H-800 / HY-800	24-25
Instructions for Checking Assembly Arrangement and Setting of Worm Brake	6	H-800 / HY-800 SC	26-27
Adjustment of Clutch Air Shifter.....	7	H-800 / HY-800 Air Shifter	38-29
Hydraulic System Requirements	8	Hy-800 Short Coupling/Low Profile Shifter	30-31
Trouble Shooting Guide.....	9	Warranty	BACK COVER
Instructions for Overhaul	10-16		
Disassembly	10-13		



Safety Precautions To Guard Against Possible Injury

- A. Clutch must be totally engaged before starting the winch operation.
- B. Do not disengage clutch under load.
- C. Stay out from under and away from raised loads.
- D. Stand clear of cable while pulling. Do not try to guide cable.
- E. Do not exceed maximum line pull ratings shown in specifications.
- F. Do not use winch to lift, support, or otherwise transport people.
- G. A minimum of 5 wraps of cable around the drum barrel is necessary to hold load. Cable set screw is not designed to hold load.



Techniques of Operation

The best way to get acquainted with how your winch operates is to make test runs before you actually use it. Plan your test in advance. Remember, you hear your winch, as well as see it operate. Get to recognize the sounds of a light steady pull, a heavy pull, and sounds caused by load jerking or shifting. Gain confidence in operating your winch and its use will become second nature with you.

The uneven spooling of cable, while pulling a load, is not a problem, unless there is a cable pileup on one end of drum. If this happens reverse the winch to relieve the load and move your anchor point further to the center of the vehicle. After the job is done you can unspool and rewind for a neat lay of the cable.

The Dow-Lok® clutch provides free spooling and clutch engagement with the cable drum. With the clutch disengaged, the cable can be freespoiled off the drum. For winching in the load the clutch must be fully engaged with the drum.

The Dow-Lok® clutch is latched into either the engaged, "IN" position, or the disengaged "OUT" position, by a pin at the bottom of the shifter handle which fits into latching slots.

TO UNLATCH CLUTCH

Run winch in the reverse (reel out) direction until the load is off the cable, Grasp handle firmly and while pushing on the top of the handle with the thumb for leverage, lift until pin clears latching slots.

TO ENGAGE CLUTCH

Unlatch and pull handle toward "IN" position as far as it will go. In order to attain full engagement, internal elements of the clutch must be aligned. This alignment will take place when the cable drum or cable drum shaft turns a maximum of 1/4 revolution. The clutch will automatically spring into engagement and pin will drop into "IN" slots when this alignment takes place. Do not attempt to lift a load unless pin is fully into "IN" slots. Keep clear of spring-loaded handle during automatic engagement.

TO DISENGAGE CLUTCH

Unlatch and push handle to "OUT" position and fully insert pin into latching slots. Do not disengage the clutch under load.

The Dow-Lok® air-shifter clutch provides free spooling and clutch engagement with the cable drum. With the clutch disengaged, the cable can be freespoiled off the drum. For winching in the load the clutch must be fully engaged with the drum.

TO ENGAGE CLUTCH

There must be a minimum of 1 foot of slack in the cable before attempting to engage the clutch. This will allow the drum to rotate a minimum of 1/4 turn allowing engagement of the clutch before picking up the load. With this slack in the cable, exhaust air pressure from the air shift cylinder. Run the winch in the "IN" direction until the clutch starts to turn. Clutch must be fully engaged before starting the winch operation.

TO DISENGAGE CLUTCH

Run winch in the "OUT" direction until there is no load on the cable. Apply 70-90 psi to the air shift cylinder to disengage the clutch. Do not disengage the clutch under load.

The Dow-Lok® low-profile shifter clutch provides free spooling and clutch engagement with the cable drum. With the clutch disengaged, the cable can be freespoiled off the drum. For winching in the load the clutch must be fully engaged with the drum.

TO ENGAGE CLUTCH

Raise the handle so the notch clears the bracket, and pull handle out as far as it will go. The clutch will automatically spring into engagement and latch when the clutch aligns with the drum shaft. In order to attain full engagement, internal elements of the clutch **MUST** be aligned. This alignment will take place when cable drum or cable drum shaft turns a maximum of 1/4 revolution. Do not attempt to lift a load unless notch in shifter shaft is securely latched. Keep clear of spring-loaded handle during automatic engagement.

TO DISENGAGE CLUTCH

Raise handle so notch clears bracket. Push handle in and latch the shaft notch onto bracket. Do not disengage the clutch under load.

WINCH MAINTENANCE

Adhering to the following maintenance schedule will keep your winch in top condition and performing as it should with a minimum of repair.

Drum bushings are oil impregnated with synthetic oil. The drum bushings do not require additional grease.

A. WEEKLY

1. Check the oil level and maintain it to the oil level plug. If oil is leaking out, determine location and repair.
2. Check the pressure relief plug in top of the gear housing. Be sure that it is in good operating condition so that hot oil gasses may escape.
3. Lubricate cable with light oil.

B. MONTHLY

1. Lubricate the various grease fittings located in the end bearing, clutch housing or clutch operating linkage. Any good grade of grease containing moly-disulfide is acceptable.
2. In the case of jaw clutch winches, check the action of the sliding clutch, making sure it is fully engaging and disengaging with the cable drum. Observe the jaws on both the clutch and cable drum, checking for rounding of the driving faces. If rounding has occurred they should be replaced immediately.
3. In the case of Dow-Lok® clutches, check the action of the locking ring. Make sure it is spring loaded and free to move fully against the cable drum in the engaged position and that it is pulled fully away from the cable drum and latched when disengaged.
4. Check the winch mounting bolts. If any are missing, replace them and securely tighten any that are loose. Make sure to use only grade 5 bolts or better.
5. Check the torque setting of the oil cooled worm brake. Make any adjustments required, following the procedure described in ADJUSTING THE OIL COOLED WORM BRAKE in the Owner's Manual.
6. Check alignment of chain and sprockets and adjust as required to minimize wear.
7. Inspect the cable. If the cable has become frayed with broken strands, replace immediately.

C. ANNUALLY

1. Drain the oil from the winch annually or more often if winch is used frequently.
2. Fill the winch to the oil level plug with clean kerosene. Run the winch a few minutes with no load in the reel in direction. Drain the kerosene from the winch.
3. Refill the winch to the oil level plug with all purpose E.P. 140 gear oil.
4. Inspect frame and surrounding structure for cracks or deformation.
5. Gear wear can be estimated by rocking the drum back and forth and if necessary drain oil and remove cover for closer inspection.

WINCH MOUNTING

It is most important that this winch be mounted securely so that the three major sections (the clutch housing end, the cable drum and the gear-housing end) are properly aligned.

All standard H-800 Dow-Lok® series winches are furnished with recommended mounting angles. Angle size is 1/2 x 3 x 4 high strength steel angle.

CABLE INSTALLATION

The Ramsey Model H-800 “Dow-Lok”® winch has two tapered pockets cast into the drum. One pocket is for installations with the wire rope wound over the drum. The other pocket is for an underwound wire rope.

1. Slide the wire rope through narrow end of the pocket against the drum flange.
2. Wrap the wire rope around the anchor “puck” and pull the wire rope and anchor back into the wide end of the pocket.
3. Use a soft hammer to drive the back side of the wire rope, firmly seating the wire rope and anchor, into the pocket.

The wire rope can easily be removed from the drum by driving the anchor out the wide end of the pocket.

The Ramsey Model Y-800/HY-800 (“Y” drum) “Dow-Lok”® winch has a setscrew to secure cable to drum.

Insert the end of cable, opposite hook end, into the 11/16” dia. hole in drum barrel. Secure cable to drum barrel, using setscrew furnished with winch. **TIGHTEN SETSCREW SECURELY.**

Carefully run the winch in the “reel-in” direction, keeping tension on end of cable, spool all the cable onto the cable drum, taking care to form neatly wrapped layers.

ADJUSTING THE OIL COOLED WORM BRAKE

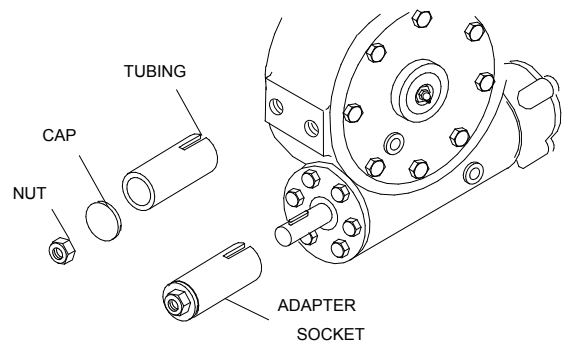
The oil cooled, fully adjustable, automatic worm brake operates in the worm housing lubricant, all parts being submerged in oil. When the brake wears to the point that the load begins to drift, the brake can be adjusted as follows:

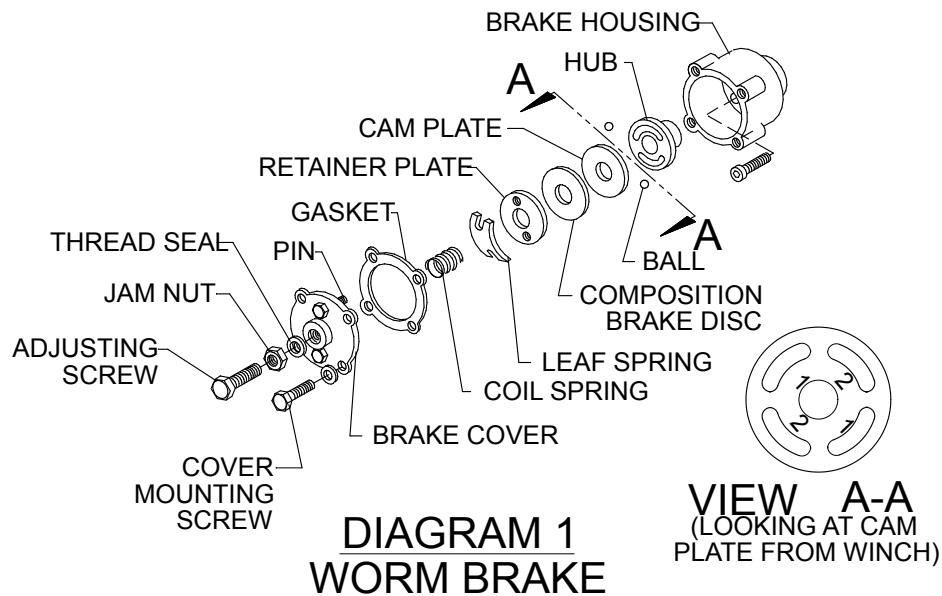
1. Loosen the adjusting screw lock nut.
2. Tighten the brake by turning the adjusting screw clockwise. CAUTION: Only 1/4 turn is usually required to adjust the brake. Over-tightening can cause over-heating, and damage to the brake parts. Tighten the lock nut after adjustment is completed.

If the brake does not respond to adjustment then a new leaf spring and brake disc is needed.

A torque wrench can be equipped with a special adapter to fit the input shaft (worm) of the winch. The adapter can be made by welding a nut to the end of a piece of tubing as shown in the following figure.

After welding the cap and nut to the tubing, slot the tubing, as shown. This will allow the special adapter to slide over the keyway and will then act as a large socket. A torque wrench can be used to apply the proper torque. Turn the torque wrench so that the drum turns in the spool out direction or lowering direction. The torque rating for the brake on the Model H-800 Dow-Lok® should be 50 to 55 ft-lbs. If torque wrench does not show the proper value as it turns, then the worm brake adjusting bolt should be turned clockwise 1/4 turn. Each time the adjusting bolt is turned, check the torque reading. Continue this procedure until the proper torque reading is achieved. Then tighten the lock nut.





SERVICING OF THE OIL COOLED SAFETY BRAKE

1. Remove the drain plug and drain the worm gear oil from the worm housing.
2. Back off the lock nut, then the adjusting screw, both two turns or more by turning them counter-clockwise.
3. Remove the cover mounting screws.
4. Remove the cover along with coil spring and leaf spring.
5. Remove the retainer plate, composition brake disc, cam plate and balls. Note which slots balls are in.
6. Inspect parts as follows:
 - a) Composition brake discs are 1/4" thick when new. Replace if thinner than 3/16 or if surfaces are glazed or burnt.
 - b) Inspect the flat, ground surface of the cam plate and retainer plate for glazing, warpage, or other damage. Glazing can be removed by scraping carefully.
 - c) Inspect the leaf spring. It should be bowed 1/8".

RE-ASSEMBLING AND CHECKING THE BRAKE

1. Press brake hub into place over worm shaft and key.
2. Assemble balls in appropriate slots of cam. Use stiff grease to hold balls into place and slide cam over end of worm. Be sure that balls are secure, between cam slots and hub slots. See instructions at right to determine proper ball slot setting. Install brake disc.
3. Install retainer plate, smooth side toward brake disc.
4. Install the gasket on the cover with a small amount of grease or sealer.
5. The coil spring goes over the adjusting screw on the inside of the cover.
6. Install the notches of the leaf spring on the pins protruding through the cover. The hollow side of the leaf spring goes toward the brake.
7. Install brake housing cover, making sure the protruding pins go through the leaf spring and into the holes in the retainer plate.
8. Bolt cover into place with the mounting screws. Install drain plug and add 3-3/4 pints all purpose E.P. 140 oil.
9. Turn winch in the hoisting direction at least one turn of the input shaft.
10. Turn the adjusting screw in until it is finger tight.

TEST FOR PROPER BRAKE ASSEMBLY

After the brake has been adjusted to the proper torque setting disengage clutch. Start vehicle engine and run winch in the reel in (hoisting direction). Allow winch to run in this direction for one minute.

Place your hand on the safety brake housing. If housing is not hot to the touch then run winch in the reverse direction (cable out) for one minute. Brake housing should begin to heat.

When these conditions exist, proper installation has been made. If heating becomes noticeable when running the winch in forward rotation (hoisting direction), the brake should be again disassembled. When disassembled, place the brake balls in the alternate set of slots in the cam plates, then carefully follow the instructions for re-assembling and checking the brake.

INSTRUCTIONS FOR CHECKING ASSEMBLY ARRANGEMENT AND SETTING OF WORM BRAKE

When the worm brake is assembled the brake must be set with the balls in the #1 or the #2 set of cam slots. (See View A-A, page 6). It is indicated on the name plate whether the balls were installed in the #1 or the #2 slots at the factory.

Three factors determine which slots the balls should be in:

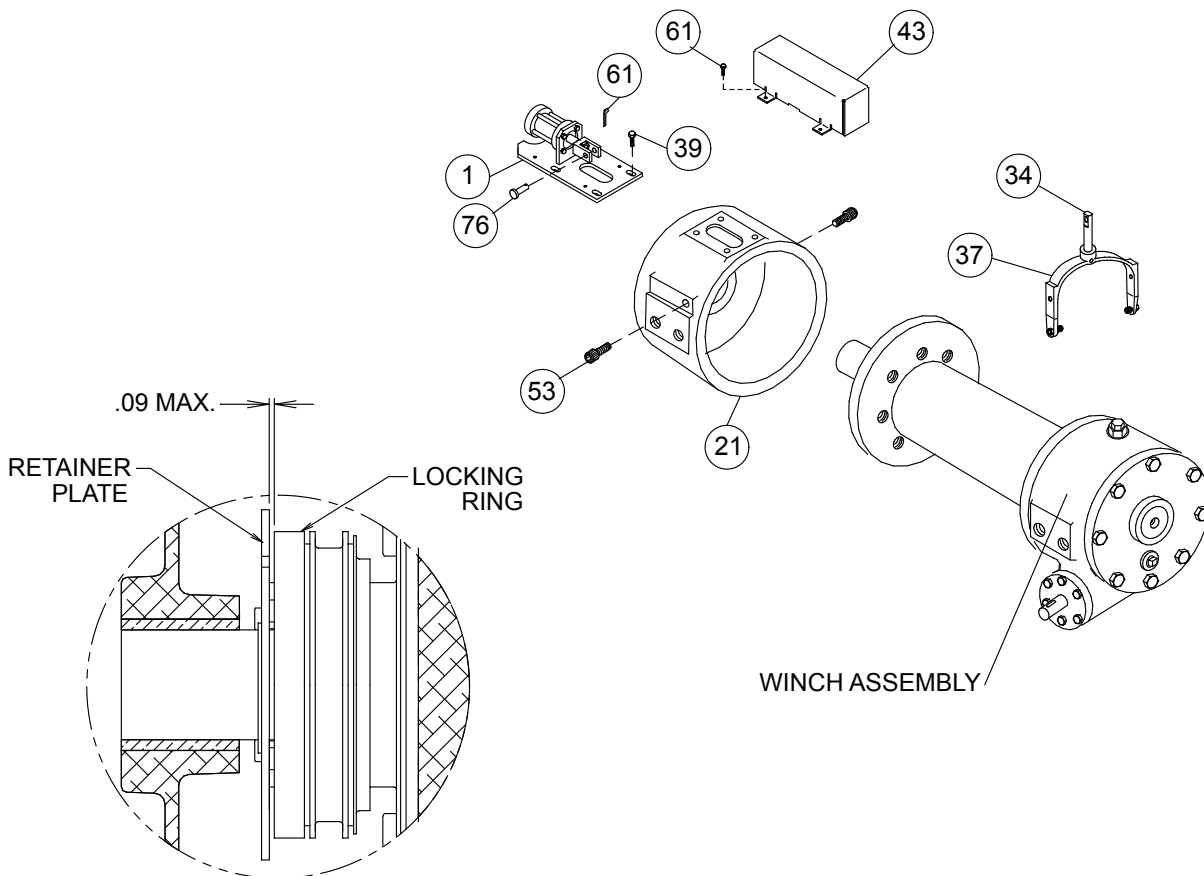
1. Direction cable winds on the drum. It normally winds over the top of the drum barrel.
2. The cut of the gear set, right or left gear. The last letter in the model number of the winch, either R or L, designates right or left gear set. Example: R-20AR, R-30L, 700R, 800L.
3. The side of the winch that the input shaft is on. The Input Shaft is normally toward the cab. Whether the winch has a gear box on the right or the left side of the winch does not affect the brake setting.

When cable winds over the top of the drum, winch has a right cut gear and input shaft is toward the cab, then the balls need to be in the #2 cam slots.

If any one of these three factors differ from those stated above, the balls need to be in the #1 slots in the cam. A second change in these factors requires the original arrangement, and if all three factors are different, the balls need to be in the #1 slots.

ADJUSTMENT OF CLUTCH AIR SHIFTER

1. Place winch assembly back into mounting frame and reattach using (8) mounting bolts and lock-washers. Torque mounting hardware to 290 ft. lbs. each. Make sure that gear housing and clutch housing are not rubbing against drum flanges.
2. Place air shifter assembly #5 over shifter shaft aligning clevis over flats of shaft. Secure clevis to shaft using clevis pin #76 and cotter pin #75. Place shifter shaft in the "ENGAGED" position. With the air cylinder shaft fully retracted, push shifter assembly toward the drum until all play is taken out of the shifter shaft. Secure shifter assembly to clutch housing using (4) capscrews #46 (flanged hx. hd. serrated). Tighten securely, but do not torque.
3. Hook up air (70 to 90 psi) to inlet port of air cylinder and disengage clutch. Look into the opening in the clutch housing and verify that the locking ring and retainer plate are not making contact. Locking ring and retainer plate must not make contact. There must be a clearance (gap) of .09 inch (max.) between the locking ring and retainer plate when the winch is fully disengaged. If there is contact, the (4) capscrews #46 should be loosened and the plate pulled away from the drum approximately .06 inch. Tighten screws securely and check action to assure needed clearance. Repeat adjustment procedure as needed to acquire needed gap. Shift clutch 2 or 3 times to verify proper shifting of clutch. After final adjustment, torque (4) capscrews #46 to 18 ft. lbs. each. Attach cover #43 using (4) capscrews #61.



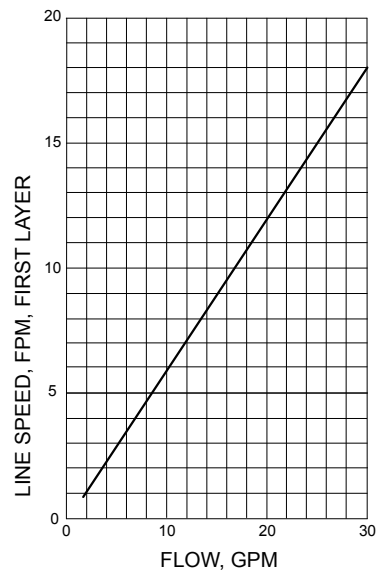
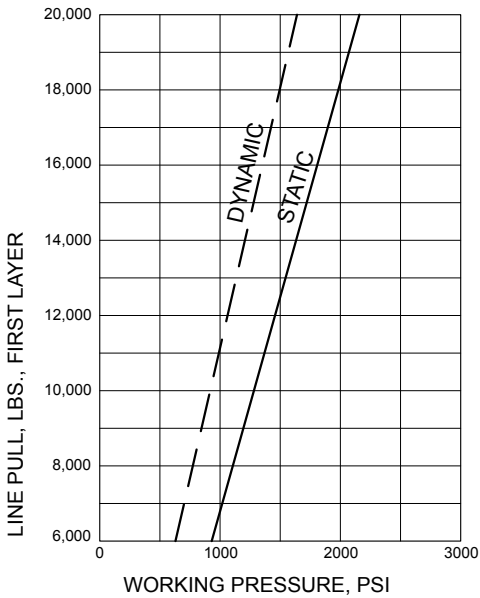
HYDRAULIC SYSTEM REQUIREMENTS

Refer to the performance charts, below, to properly match your hydraulic system to H-800 Dow-Lok® winch performance. The charts consist of :

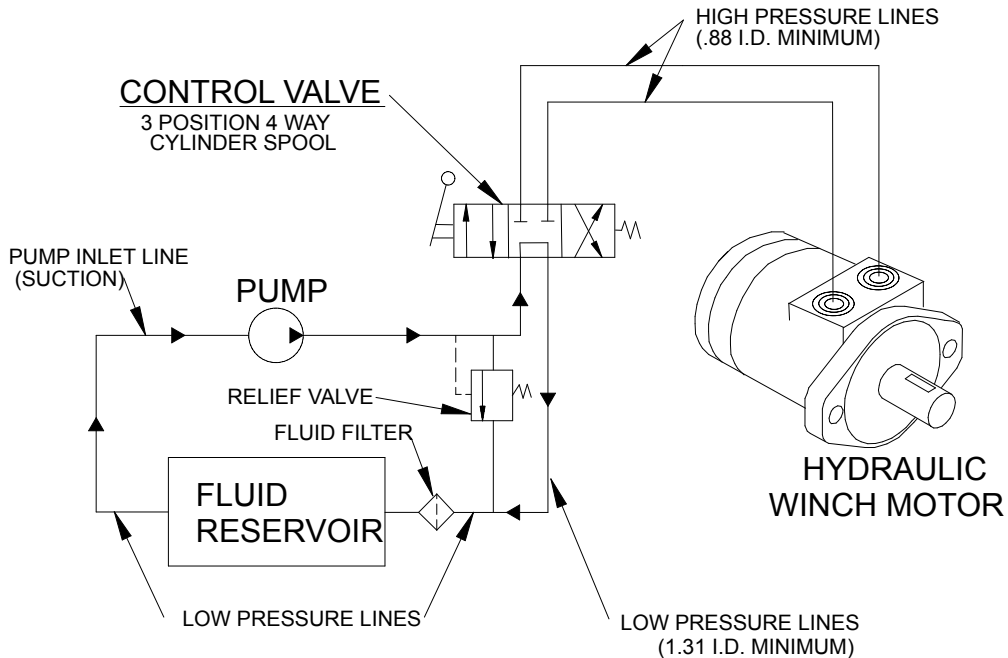
- (1) Line pull (lb.) first layer vs. working pressure (PSI). STATIC (solid line) refers to hoisting a suspended load from rest; DYNAMIC (dotted line) refers to maintaining the motion of a moving load.
- (2) Line speed, first layer (FPM) vs. Flow, gallons per minute (GPM).

Performance based on a motor displacement of 14.9 cubic inches with 30 GPM maximum flow rate. See page 18 for motor port size.

H-800, HY-800 Series Performance 20,000 lb. Duty Rating 40:1 Gear Ratio



TYPICAL HYDRAULIC LAYOUT



TROUBLESHOOTING GUIDE

CONDITIONS	POSSIBLE CAUSE	CORRECTION
CLUTCH INOPERATIVE OR BINDS UP	<ol style="list-style-type: none"> 1. Dry or rusted shaft. 2. Bent yoke or linkage 	<ol style="list-style-type: none"> 1. Clean and Lubricate. 2. Replace yoke or shaft assembly.
CLUTCH HANDLE WON'T LATCH	<ol style="list-style-type: none"> 1. Debris in clutch. 	<ol style="list-style-type: none"> 1. Clean and lube per page 15.
OIL LEAKS FROM HOUSING	<ol style="list-style-type: none"> 1. Seal damaged or worn. 2. Too much oil. 3. Damaged gasket. 	<ol style="list-style-type: none"> 1. Replace seal. 2. Drain excess oil. Refer to Techniques of Operation. 3. Replace gasket.
LOAD DRIFTS DOWN	<ol style="list-style-type: none"> 1. Worm brake has become worn. 2. Worm brake out of adjustment. 	<ol style="list-style-type: none"> 1. Replace brake disc. (See page 6) 2. Turn adjusting bolt clockwise 1/4 turn or until load does not drift.
WINCH RUNS TOO SLOW	<ol style="list-style-type: none"> 1. Hydraulic motor worn out. 2. Low flow rate. 	<ol style="list-style-type: none"> 1. Replace motor. 2. Check flow rate. Refer to Hydraulic Systems flow chart, page 8.
CABLE DRUM WILL NOT FREE-SPOOL	<ol style="list-style-type: none"> 1. Winch not mounted squarely, causing end bearings to bind drum. 	<ol style="list-style-type: none"> 1. Check mounting. Refer to Winch Mounting, page 5.
CABLE BIRDNESTS WHEN CLUTCH IS DISENGAGED	<ol style="list-style-type: none"> 1. Drag brake disc worn. 	<ol style="list-style-type: none"> 1. Replace discs.
HYDRAULIC FLUID LEAKS FROM HOLE IN ADAPTER	<ol style="list-style-type: none"> 1. Damaged motor shaft seal. 	<ol style="list-style-type: none"> 1. Replace seal.

INSTRUCTIONS FOR OVERHAUL OF RAMSEY MODEL H-800 DOW-LOK®

Dis-assembly

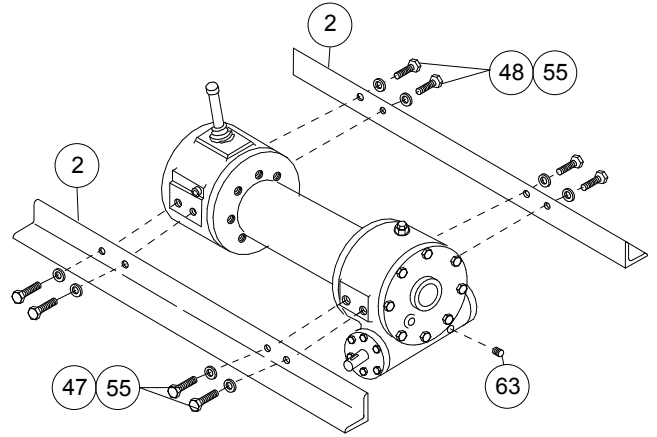
Refer to parts list and parts drawing pages for actual item numbers and corresponding parts numbers.

(1)

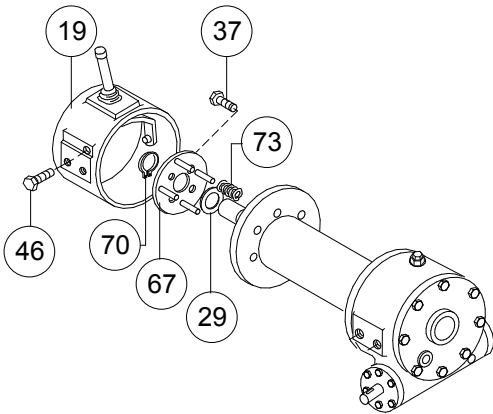
Drain oil from gear housing by removing pipe plug (item #63) from gear housing.

Shift clutch into the engaged "IN" position.

Remove frame angles (item #2) from winch assembly.



(2)



Remove two cap screws (item #46) from clutch housing (item #19) and unlatch shifter assembly.

Remove clutch housing from end of drum shaft. Press in on retainer plate (item #67), to relieve the spring tension and remove the retainer ring (item #70).

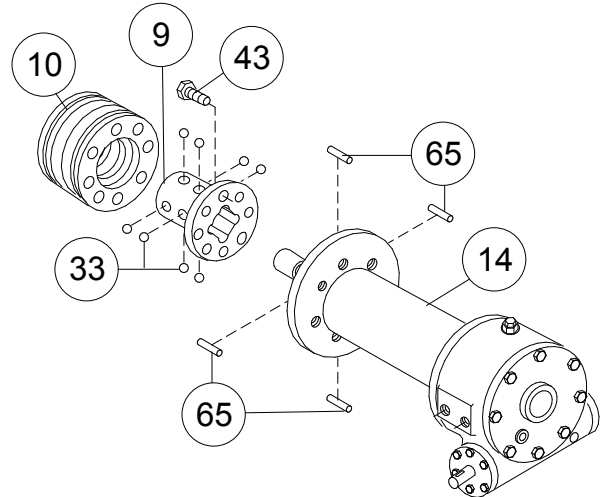
Remove four cap screws (item #37), retainer plate (item #67), springs (item #73) and spacer (item #29).

Slide the locking ring (item #10) from the clutch. NOTE: The locking ring cannot be removed unless the clutch is engaged, with dowel pins (item #65) seated in the shaft keyways.

Rotate the drum so the eight balls (item #33) and four dowel pins (item #65) can be removed.

If necessary, the clutch (item #9) may be disassembled from the drum by removing eight cap screws (item #43). Slide drum (item #14) from drum shaft.

(3)



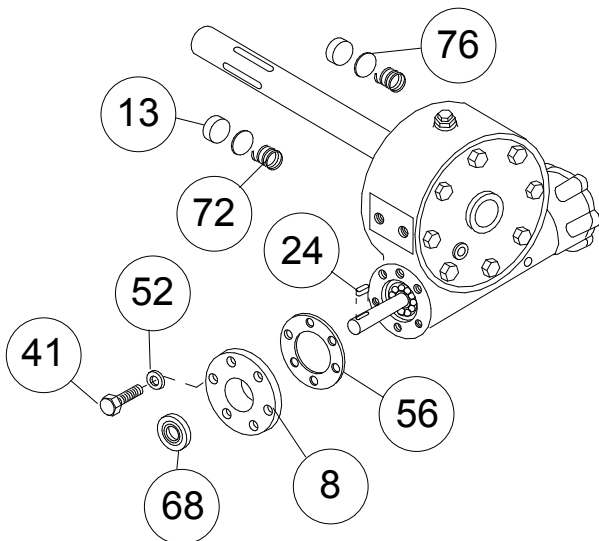
(4)

Remove key (item #24) from worm shaft.

Remove bearing cap (item #8) and gasket (item #56) by unscrewing six cap screws (item #41) and lockwashers (item 52).

Remove seal (item #68) from bearing cap and press new seal into place.

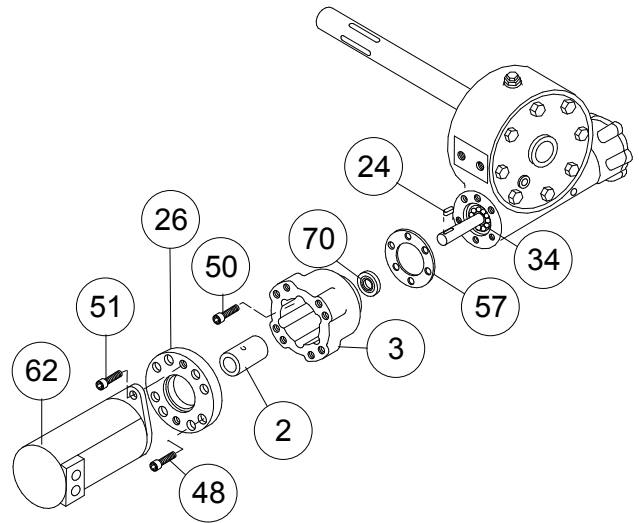
Drag brake disc (item #13), spacer (item #76) and spring (item #72) should be examined and replaced if necessary.



(5)

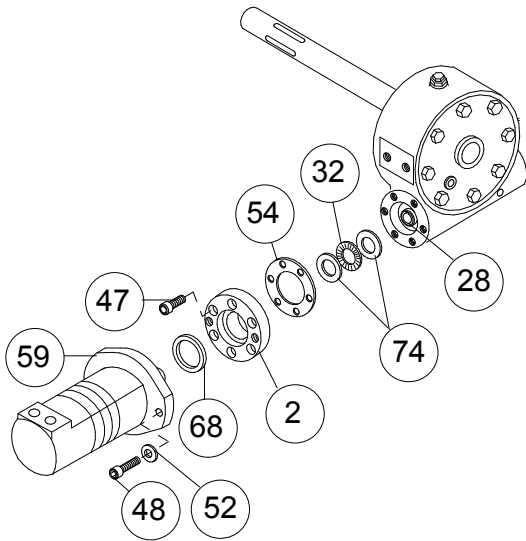
Remove motor (item #62) from adapter plate (item #26) by removing capscrews (item #51). Remove adapter plate and coupling (item #2) from adapter (item #3) by unscrewing eight capscrews (item #48).

Remove key (item #24) from worm shaft. Unscrew six capscrews (item #50) and remove adapter from gear housing. Replace adapter seal (item #70) and gasket (item #57).



(5a)

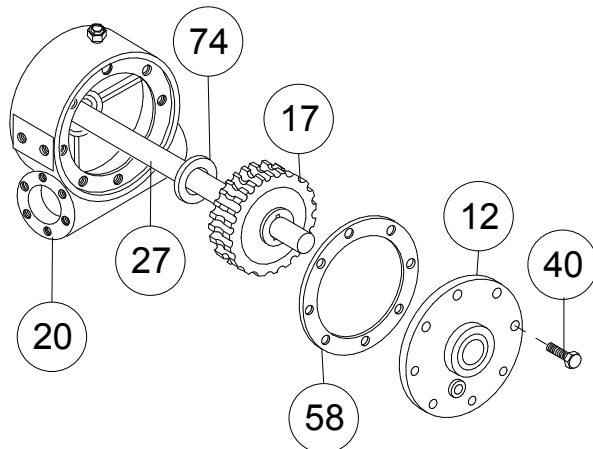
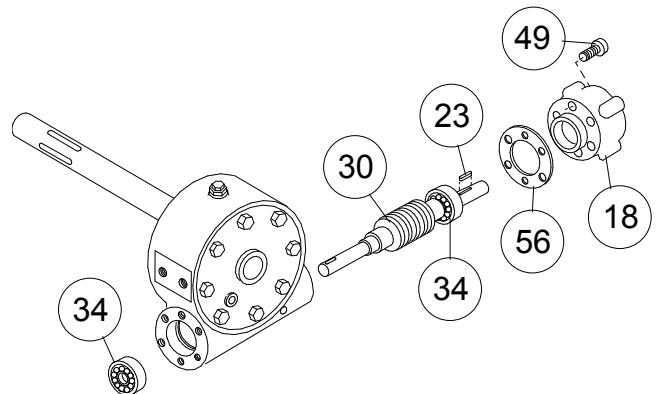
Remove motor (item #59) from adapter (item #2) by removing two capscrews and lockwashers (item #48 & #52). Remove adapter (item #2) from gear housing by removing six (item #47) capscrews. Replace pilot seal (item #68) and gasket (item #54). Remove thrust bearing (item #32) and thrust washers (item #74).



(6)

Refer to page 5, SERVICING OIL COOLED SAFETY BRAKE. Remove brake housing (item #18) from gear housing by unscrewing six (item #49) capscrews. Remove key (item #23) from worm. Remove worm (item #30) and bearings (item #34) from gear housing. Use a soft hammer to gently tap input end of worm and drive worm and bearing from gear housing. Once worm has been removed from housing, bearing can be pressed from end of worm.

Check for signs of wear or damage to worm (item #30) and bearings (item #34). Replace if necessary.



(7)

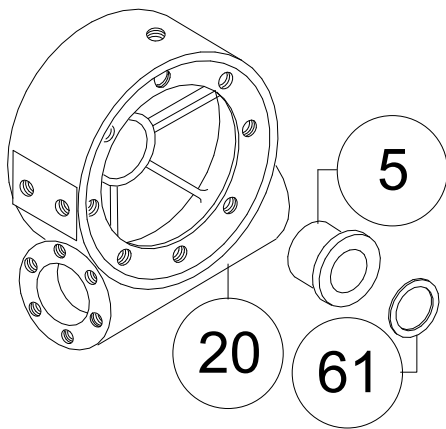
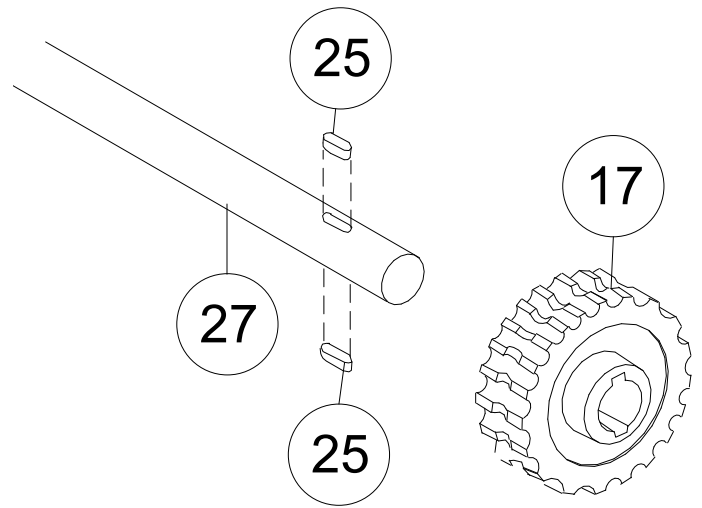
Remove gear housing cover (item #12) from gear housing (item #20) by unscrewing eight capscrews (item #40). Thread two of the capscrews into the two tapped holes of cover and tighten. This will pull the cover loose from gear housing.

Remove cover gasket (item #58) and pull shaft (item #27), with gear (item #17) and spacer (item #74) attached, from gear housing.

(8)

If shaft and/or gear hub is damaged, replace as follows:

- a. Tap keys (item #25) into short keyways of drum shaft (item #27).
- b. Press shaft (item #27) and keys through gear hub (item #17) until end of keys on long end of shaft are flush with hub.

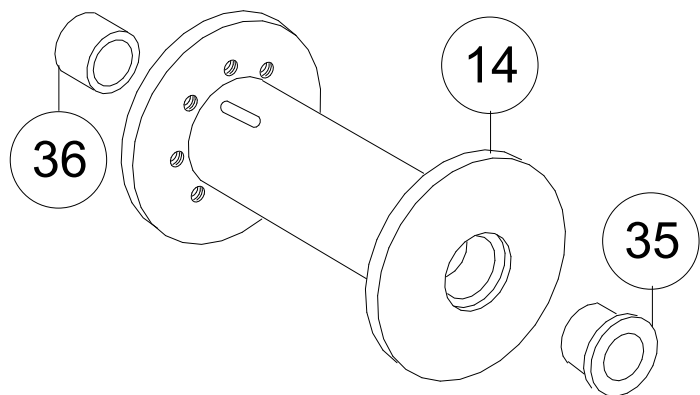


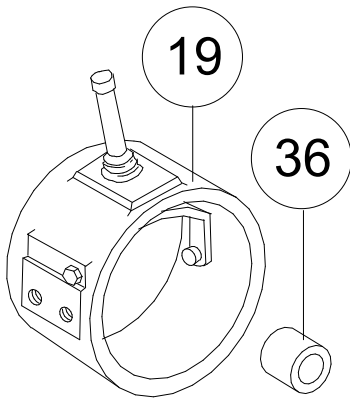
9)

Check gear housing bushing (item #5) and o-ring (item #63) for signs of wear. Replace if necessary by pressing old bushing from gear housing (item #20). Press new bushing into place and insert new o-ring (item #61) into groove inside of bushing.

(10)

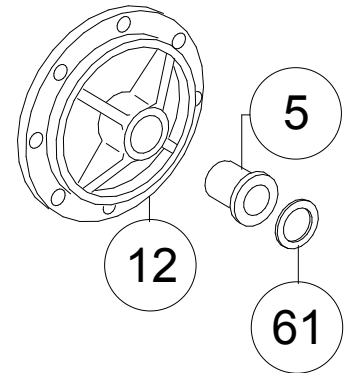
Check drum bushings (items #35 & #36) for signs of wear. Replace if necessary by pressing old bushings from drum (item #14). Press bushing (item #35) into bore in drum until its flange is seated against bottom of counterbore. Press bushing (item #36) into opposite bore on drum until end of bushing extends .50" from end of drum.





(11)

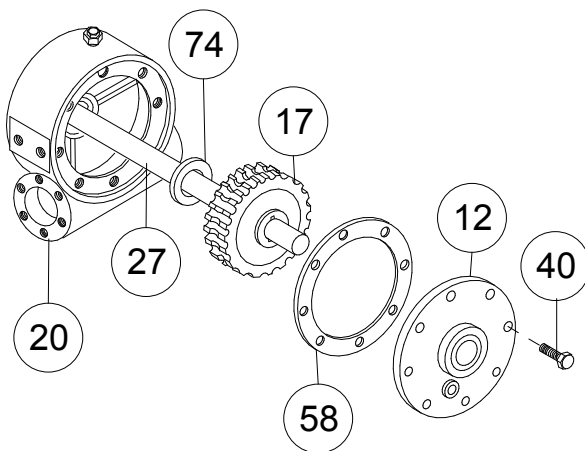
Check end bearing bushing (item #36) for signs of wear. If necessary, remove old bushing and press new bushing into place.



(12)

Check cover bushing (item #5) and o-ring (item #61) for signs of wear. Replace if necessary by pressing old bushing from gear housing cover (item #12). Press new bushing into place and insert new o-ring (item #61) into groove inside of bushing.

RE-ASSEMBLY



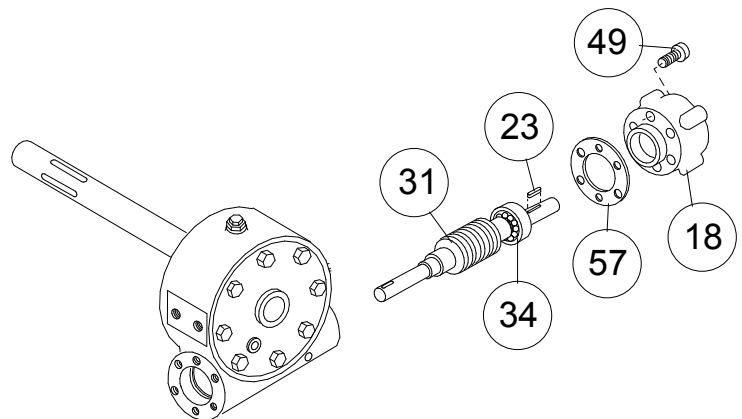
(13)

Slide spacer (item #74) over long end of shaft and place against gear hub. Apply grease to end of shaft, opposite gear. Apply grease to bushing in gear housing (item #20). Place greased end of shaft through bushing in gear housing (item #20). Place gasket (item #58) onto gear housing cover (item #12). Apply grease to gear end of shaft and cover bushing. Place cover onto shaft and secure to housing with eight (item #40) capscrews. Tighten capscrews to 39 ft. lb. (52 Nm.) each.

(14)

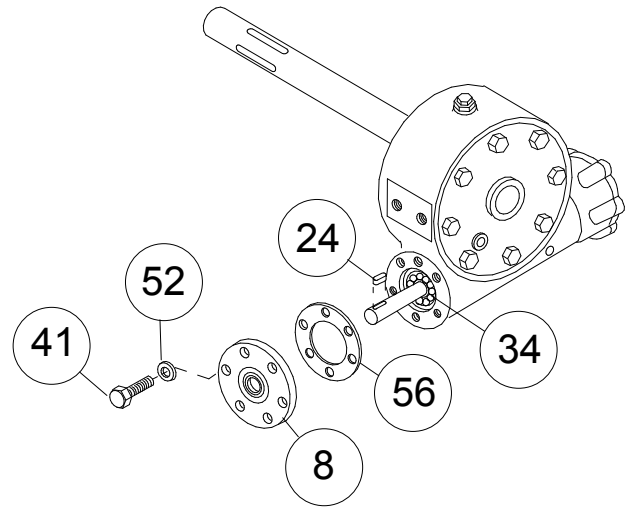
Press bearing (item #34) onto worm (item #30). NOTE: Be sure that thick shoulder of bearings outer race (side with manufacturer's name and part number) is out, away from worm threads. Press bearing and worm into gear housing. Slip gasket (item #56) onto brake housing (item #18). Use six capscrews (item #49) to secure brake housing to gear housing. Tighten capscrews to 45 ft. lb. (61 Nm.) each.

Place key (item #23) into keyway of worm (item #30). Refer to page 6 for reassembly and checking of worm brake.



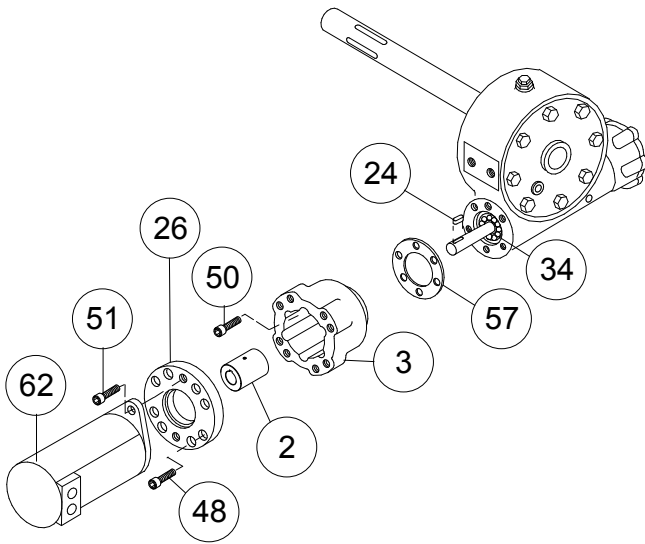
(15)

Press bearing (item #34) onto worm and into housing.
NOTE: Be sure that thick shoulder of bearings outer race (side with manufacturer's name and part number) is out, away from worm threads. Attach bearing cap (item #8) to gear housing using six capscrews (item #41) with lockwashers (item #52). Tighten capscrews to 39 ft. lb. (52 Nm.) each. Insert key (item #24) into keyway of worm shaft.



(16)

Press bearing (item #34) onto worm and into housing.
NOTE: Be sure that thick shoulder of bearings outer race (side with manufacturer's name and part number) is out, away from worm threads. Attach adapter (item #3) to gear housing using six capscrews (item #50). Tighten capscrews to 45 ft. lb. (61 Nm.) each. Insert key (item #24) into keyway of worm shaft. Slide coupling (item #2) over end of worm shaft. Attach adapter plate (item #26) to adapter using eight capscrews (item #48). Tighten capscrews to 21 ft. lb. (28 Nm.) each.

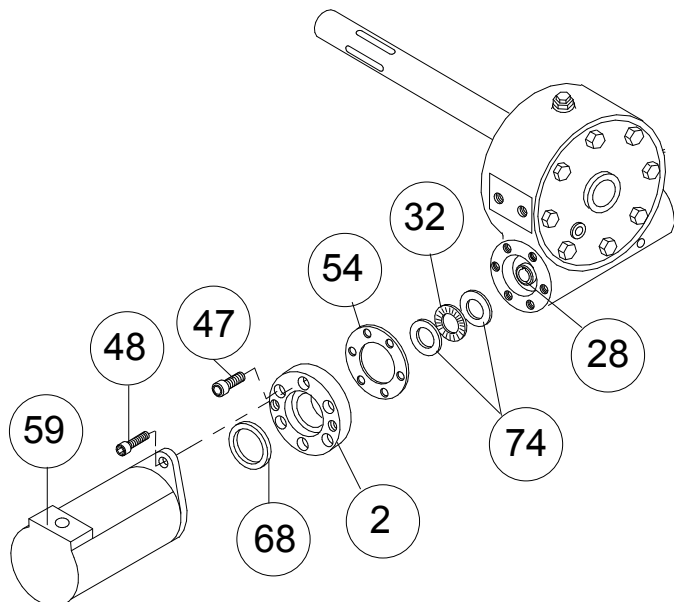


Place motor shaft, with key in keyway, into coupling. Secure motor (item #62) to adapter, using two capscrews (item #51). Tighten capscrews to 102 ft. lb. (138 Nm.) each.

(16a)

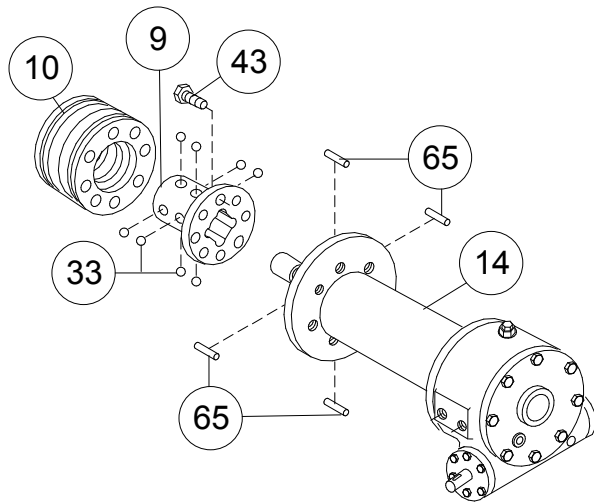
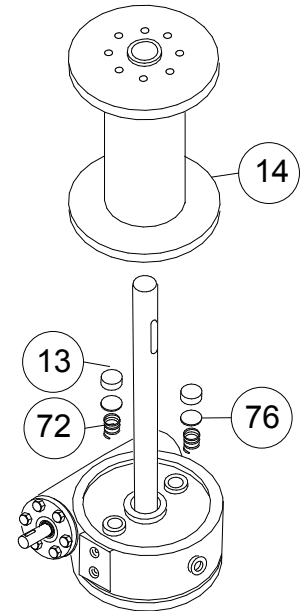
Place thrust washers (item #74) and thrust bearing (item #32) over end of worm (item #28) and into housing. Attach adapter (item #2) with gasket (item #54) to housing, using six (item #47) capscrews. Tighten capscrews to 45 ft.lb. (61Nm.) each.

Insert pilot seal (item #68) into adapter and carefully place motor shaft, with key in keyway, through seal, so as not to damage seal. Insert motor shaft into end of worm (item #28). Secure motor (item #59) to coupling using two (item #48) capscrews with lockwashers (item #52). Tighten capscrews to 102 ft.lbs. (138 Nm.) each.



(17)

Place winch with gear housing cover down on work bench. Drum shaft should be in vertical position. Set springs (item #72) into pockets of gear housing with drag brakes (item #13) on top of disc (item #76) and springs. Slide drum assembly (item #14) onto drum shaft as shown.



(18)

Place clutch (item #9) over end of drum shaft. Align the clutch over the pilot bushing in drum. Install the eight cap screws (item #43) and torque the cap screws to 103 ft. lb. (139 Nm.) to securely seat the clutch to the drum.

Rotate the drum to align the clutch slots with the shaft keyways. Lightly grease four dowel pins (item #65) and

eight balls (item #33). Use molybdenum disulfide or graphite bearing grease. Insert the four dowel pins (item #65) and eight balls (item #33). In the engaged position the balls are nearly flush with the clutch.

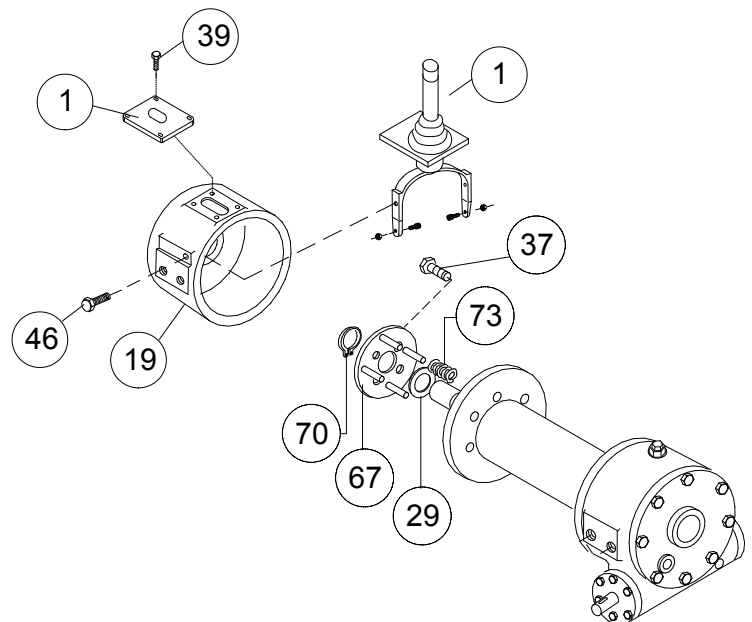
Lightly grease the internal and external groove and bore in locking ring (item #10) and clutch (item #9).

Slide locking ring onto the clutch. When fully engaged, the locking ring touches the clutch flange and there is .71 to .73 inches between the end of the locking ring and the end of the clutch.

(19)

Place four springs (item #73) over four roll pins on retainer plate (item #67). Install spacer (item #29) and retainer plate and secure to clutch using four cap screws (item #37). Tighten cap screws to 9.7 ft. lb. (13 Nm.) each. Firmly seat the retainer ring (item #70) into drum shaft groove.

Set the shifter assembly so that the screw heads engage the external groove in the locking ring (item #10). Push the clutch housing (item #19) onto the drum shaft and latch the shifter assembly in the engaged "IN" position. Insert the two cap screws (item #46).

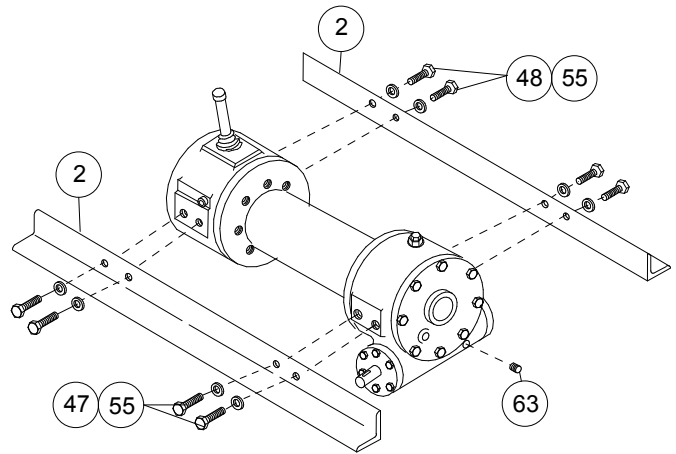


(20)

Attach mounting angles (item #2) to winch assembly. Use capscrews (item #47 & #48) and lockwashers (item #55). Tighten capscrews to 290 ft. lb. (393 Nm) each. Insert plug (item #63) into hole in bottom of gear housing. Remove plugs (items #59 & 62) from top of housing. Pour 3 -3/4 pints of E.P. 140 oil into hole and replace plugs.

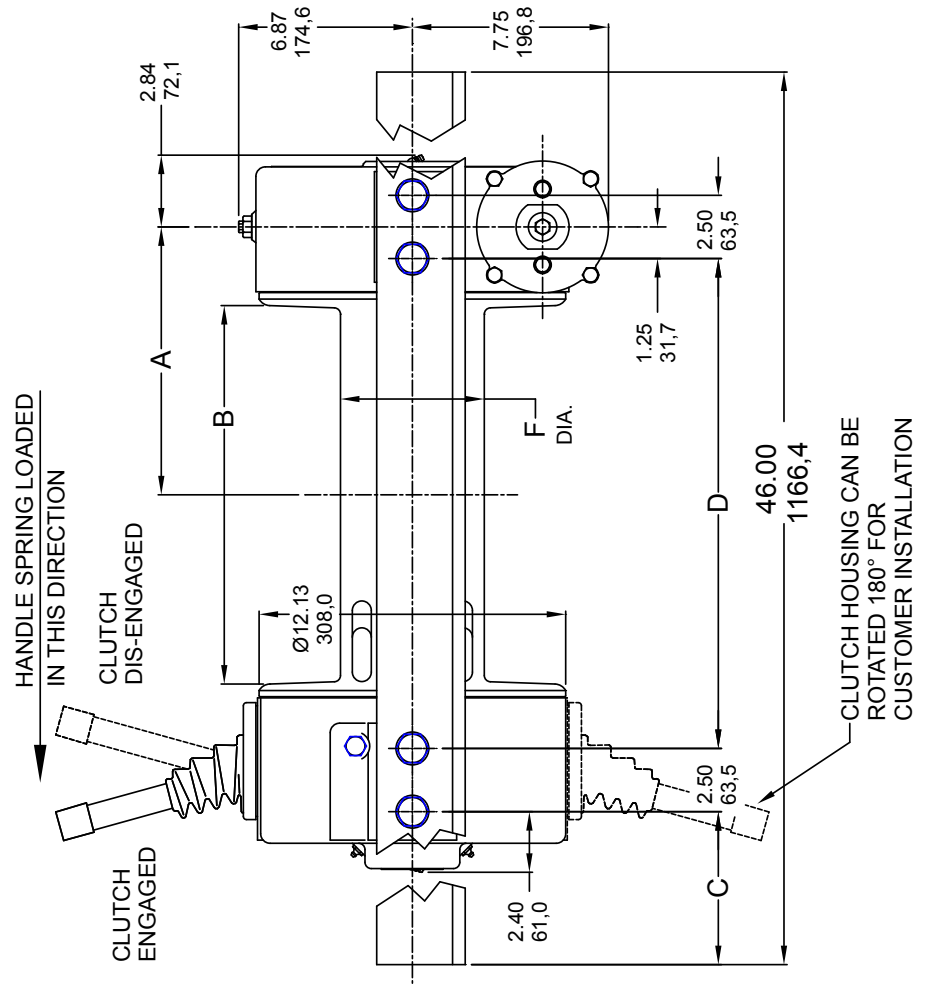
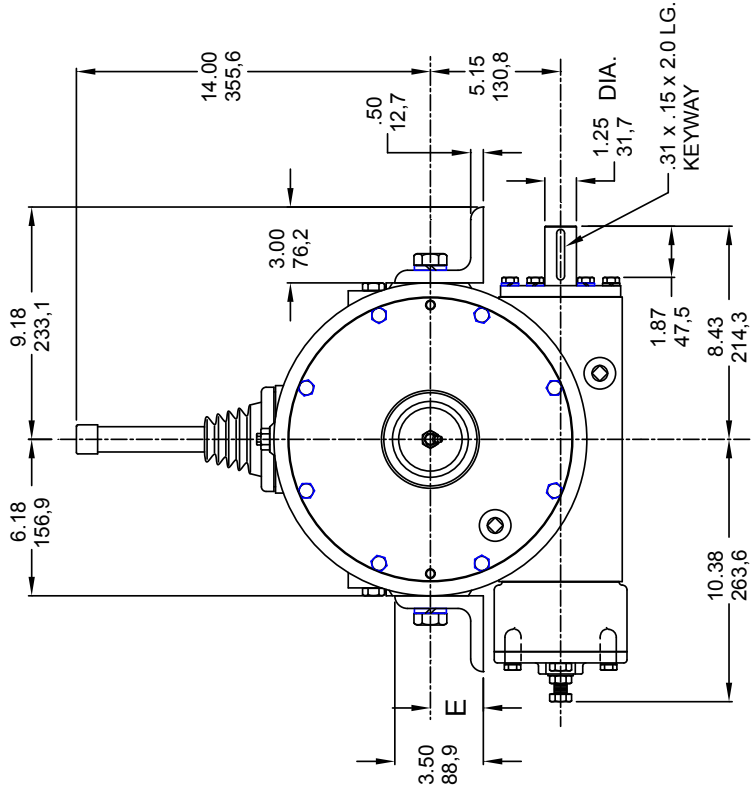
Check the action of the clutch by shifting and free-spooling the winch drum several times.

The shift pattern plate on top of the clutch housing is adjusted at the factory to provide reliable shifting of the Dow-Lok® clutch. If the plate should loosen or be removed, you must readjust the plate. Shift the handle to disengage the clutch and hold against the internal stop. With the latching pin in the "OUT" slots, push the shift pattern plate toward the cable drum. Unsnap plastic lever cover from pattern plate. Tighten the four capscrews which hold the plate to housing. Snap lever cover back into place around the pattern plate.



Model 800 Dow-Iok® 800 / Y-800

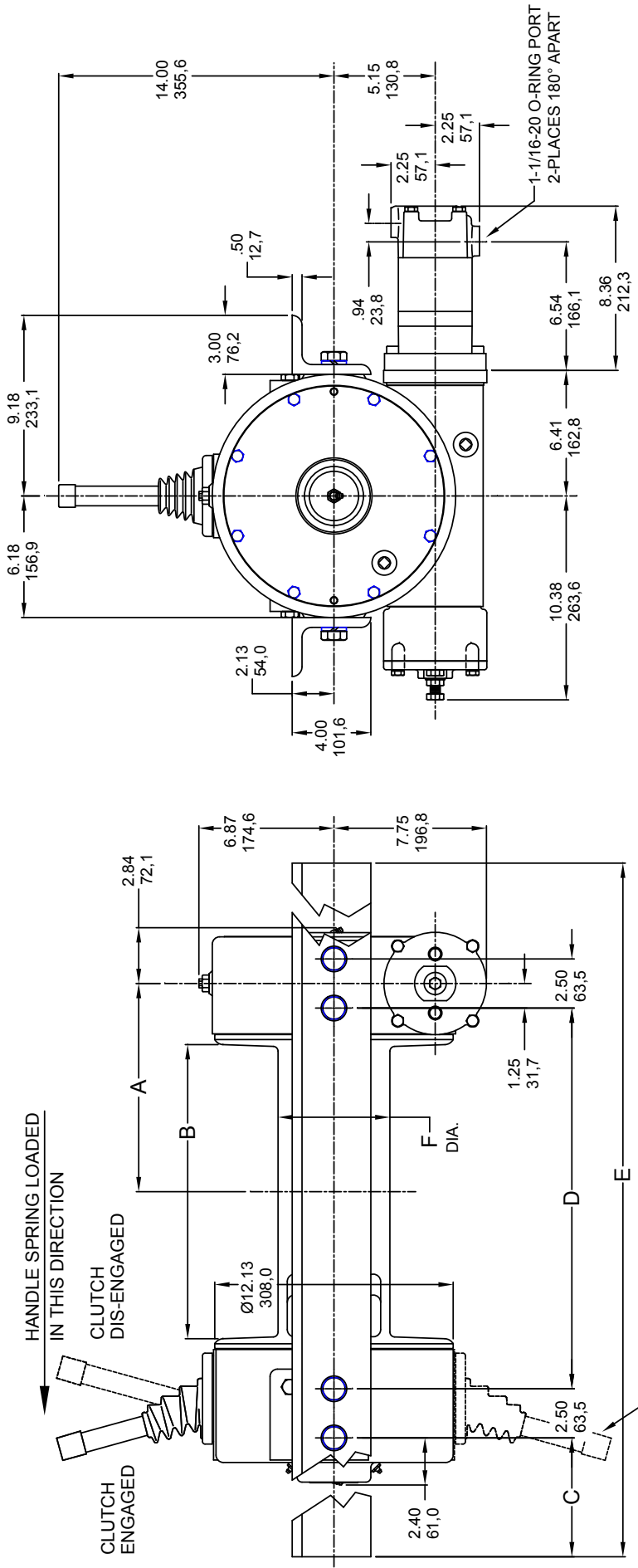
WINCH MODEL	A INCHES MM	B INCHES MM	C INCHES MM	D INCHES MM	E INCHES MM	F INCHES MM
800	10.62 269,7	15.00 381,0	10.75 273,0	19.38 492,2	2.09 53,0	5.69 144,5
Y-800	7.75 196,8	9.44 239,8	13.68 347,4	13.63 346,2	2.00 50,8	5.50 139,7



DIMENSIONS SHOWN ARE INCHES OVER MILLIMETERS

Model 800 Dow-lok® H-800 / HY-800 SHORT COUPLING

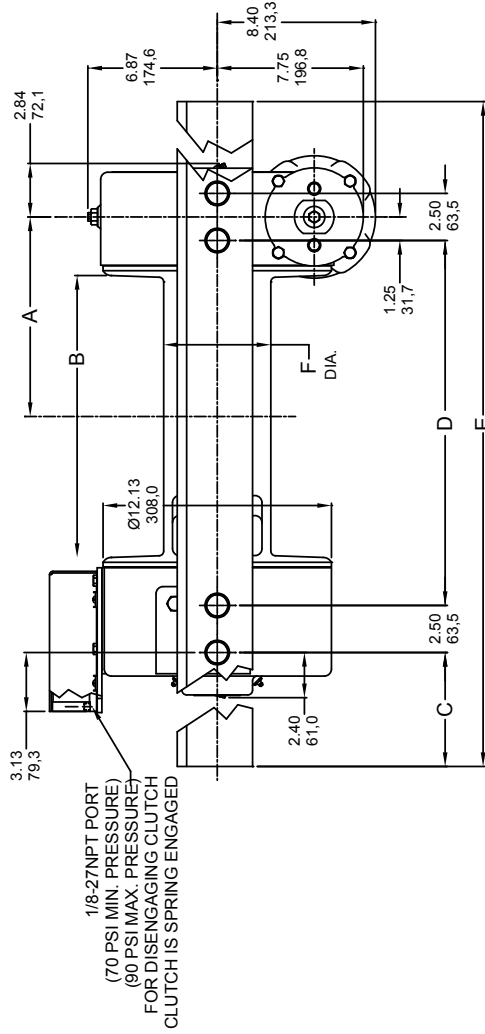
WINCH MODEL	A INCHES MM	B INCHES MM	C INCHES MM	D INCHES MM	E INCHES MM	F INCHES MM
H-800	10.62 269,7	15.00 381,0	13.81 350,7	19.38 492,2	52.00 1320,8	5.69 144,5
HY-800	7.75 196,8	9.44 239,8	13.68 347,4	13.63 346,2	46.00 1168,4	5.50 139,7



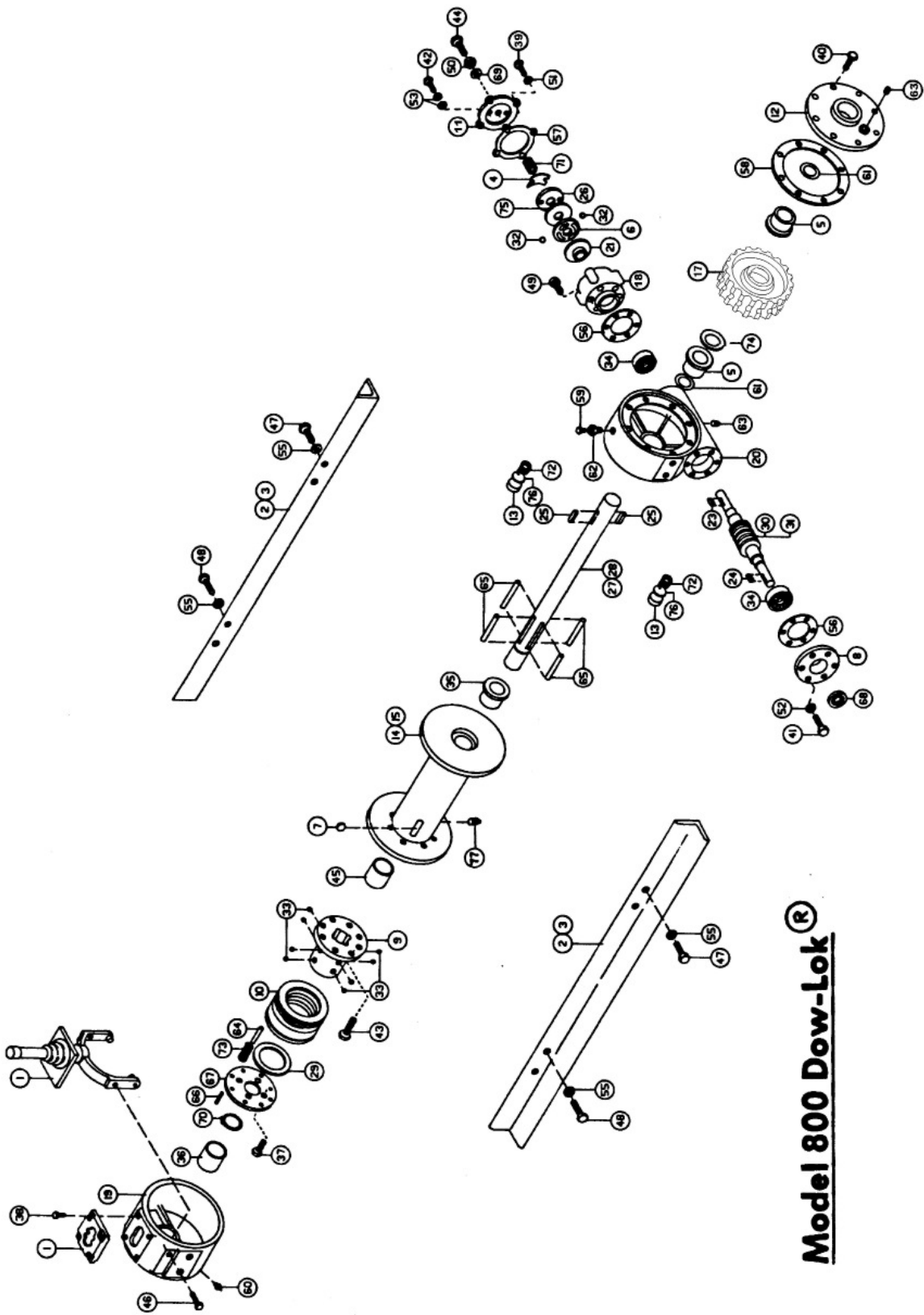
DIMENSIONS SHOWN ARE INCHES OVER MILLIMETERS

Model 800 Dow-lok® H-800 / HY-800 AIR SHIFTER

WINCH MODEL	A INCHES MM	B INCHES MM	C INCHES MM	D INCHES MM	E INCHES MM	F INCHES MM
H-800	10.62 269.7	15.00 381.0	13.81 350.7	19.38 492.2	52.00 1320.8	5.69 144.5
HY-800	7.75 196.8	9.44 239.8	13.68 347.4	13.63 346.2	46.00 1168.4	5.50 139.7



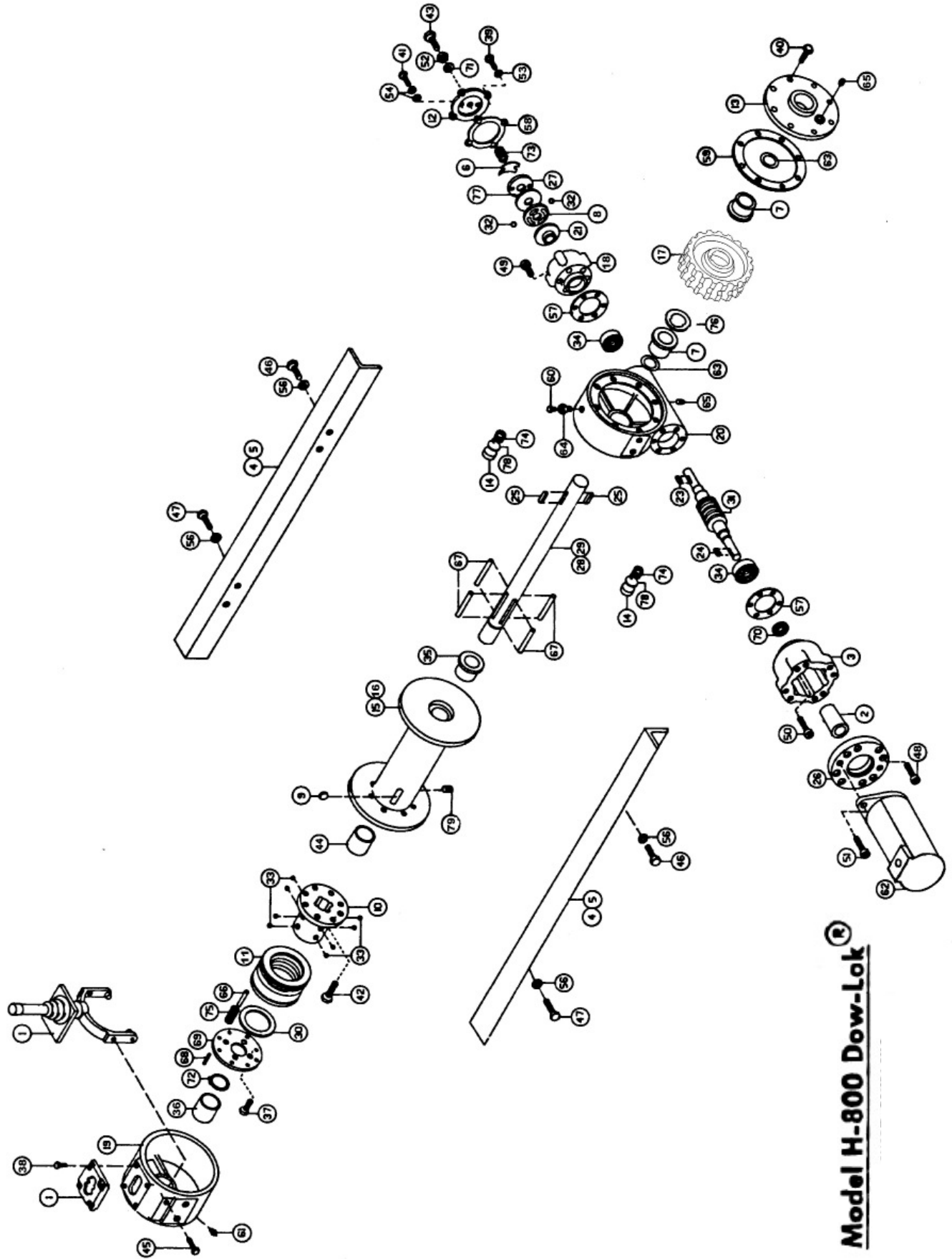
DIMENSIONS SHOWN ARE INCHES OVER MILLIMETERS



PARTS LIST MODEL 800 DOW-LOK

PARTS LIST MODEL 800 DOW-LOK®

Item No.	Qty.	Parts No.	Description	Item No.	Qty.	Parts No.	Description
1	1	276033	SHIFTER ASSEMBLY	40	8	414277	CAPSCREW 3/8-16NC X 1 LG HX HD GR5 NYLOK HVYP
2	2	302093	ANGLE - Y800	41	6	414282	CAPSCREW 3/8-16NC X 1-1/4 LG HX HD DR5
3	2	302111	ANGLE - STD.	42	2	414399	CAPSCREW 3/8-24NF X 1-1/4 LG ALL-THRD GR5
4	1	306035	SPRING - FLAT	43	8	414571	CAPSCREW 1/2-20NF X 1 LG HX HD GR5
5	2	308083	BUSHING	44	1	414603	CAPSCREW 1/2-20NF X 1-3/4 LG ALL-THRD GR5
6	1	314007	CAM PLATE	45	1	412149	BUSHING-DRUM
7	1	314010	CABLE ANCHOR ("STD." DRUM ONLY	46	2	414619	CAPSCREW 1/2-13NC X 2-1/2 LG HX HD ALL-THRD ZP
8	1	316006	CAP BEARING	47	4	414751	CAPSCREW 3/4-10NC X 1-3/4 GR5 NYLOK HVY PATCH
9	1	324151	CLUTCH	48	4	414777	CAPSCREW 3/4-10NC X 1-3/4 GR5
10	1	324318	LOCKING RING	49	6	414897	CAPSCREW 3/8-16NC X 1 LG SOC HD
11	1	328027	COVER - BRAKE	50	1	418067	NUT 1/2-20NF HX JAM
12	1	328122	COVER - GEAR HOUSING	51	4	418163	LOCKWASHER 5/16 MED SECT PLTD
13	2	330010	SHOE - DRAG BRAKE	52	6	418177	LOCKWASHER 3/8 MED SECT PLTD
14	1	332167	DRUM (STANDARD)	53	4	418184	WASHER - FLAT 3/8 ALUM
15	1	332172	DRUM ("Y" 800)				
16	1	334189	GEAR - L.H.	55	8	418249	LOCKWASHER 3/4 MED SECT
17	1	334188	GEAR - R.H.	56	2	442192	GASKET
18	1	338221	HOUSING - BRAKE	57	1	442194	GASKET
19	1	338235	HOUSING - CLUTCH	58	1	442195	GASKET
20	1	338242	HOUSING - GEAR	59	1	456008	FITTING - RELIEF
21	1	340011	HUB - BRAKE	60	2	456031	FITTING - LUBE
23	1	342053	KEY	61	2	462013	QUAD-RING
24	1	342092	KEY	62	1	468002	REDUCER
25	2	342153	KEY	63	2	468011	PIPE PLUG
26	1	352021	PLATE - RETAINER	64	4	470042	PIN - ROLL
27	1	357498	SHAFT - DRUM (STD.)	65	4	470044	PIN - DOWEL
28	1	357502	SHAFT - DRUM (Y800)	66	4	470056	PIN - ROLL
29	1	362224	SPACER	67	1	474030	PLATE - RETAINER
30	1	368082	WORM R.H.	68	1	486068	SEAL - OIL
31	1	368084	WORM L.H.	69	1	486076	THREAD SEAL
32	2	400007	BALL - BRAKE	70	1	490025	RING - RETAINER
33	8	400011	BALL - CLUTCH	71	1	494010	SPRING
34	2	402045	BEARING - BALL	72	2	494022	SPRING - DISC
35	1	412159	BUSHING	73	4	494069	SPRING
36	1	412052	BUSHING	74	1	518016	THRUST WASHER
37	4	414038	CAPSCREW 1/4-20NC X 3/4 LG HX HD GR5	75	1	530007	DISC - BRAKE
38	4	414069	CAPSCREW 5/16-18NC X 3/4 LG HX HD	76	2	530094	SPACER - BRAKE
39	4	414111	CAPSCREW 5/15-18NC X 1 LG HX HD GR5	77	1	416059	SETSCREW ("Y" DRUM ONLY)

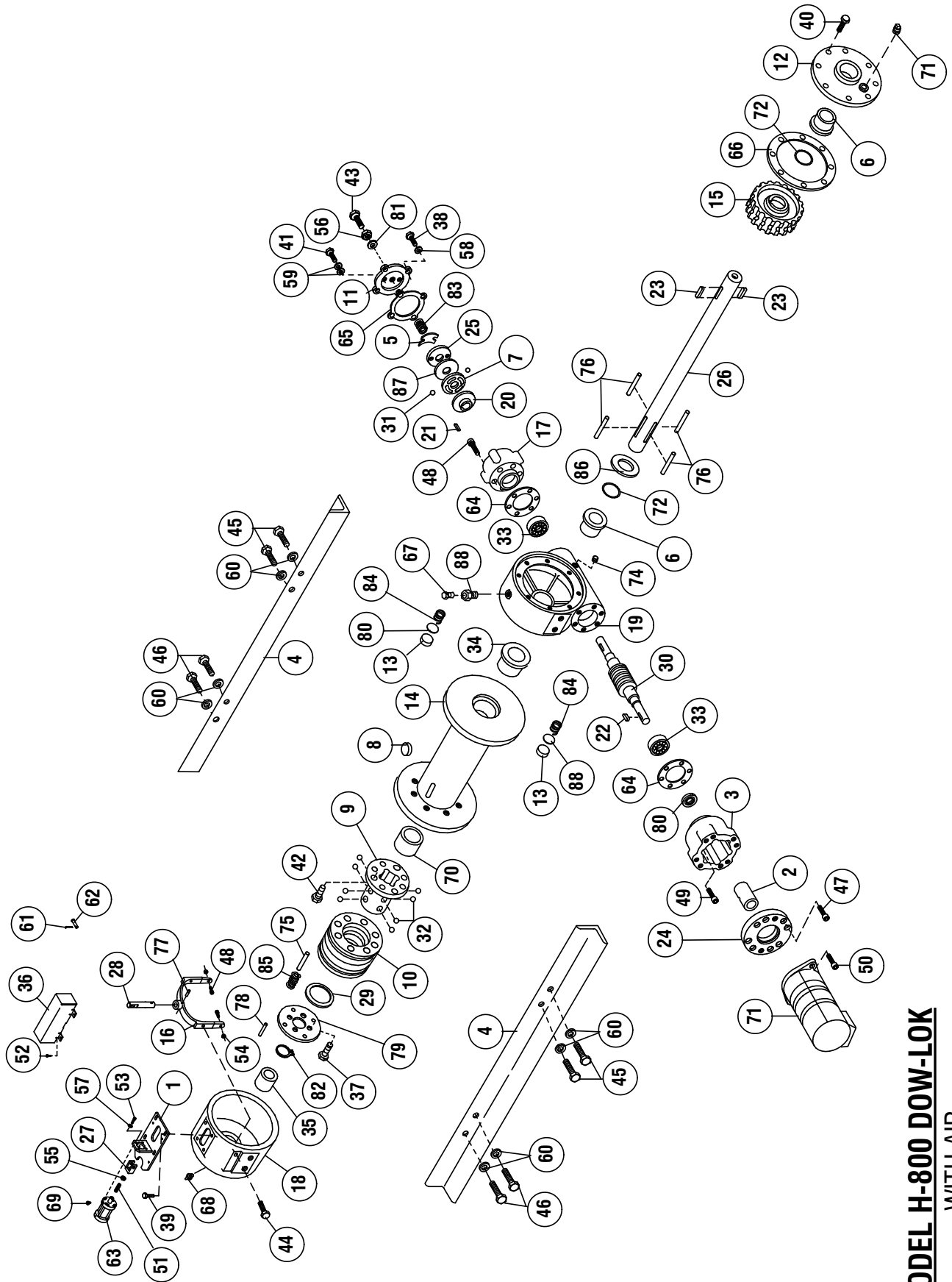


Model H-800 Dow-Lok®

PARTS LIST MODEL H-800SC DOW-LOK

PARTS LIST MODEL H-800 DOW-LOK®

Item No.	Qty.	Parts No	Description	Item No	Qty.	Parts No.	Description
1	1	276033	SHIFTER ASSEMBLY	40	8	414277	CAPSCREW 3/8-16NC X 1 LG HX HD GR5 NYLOK HVYP
2	1	299733	COUPLING ASSEMBLY	41	2	414399	CAPSCREW 3/8-24NF X 1-1/4 LG ALL-THRD GR5
3	1	300048	ADAPTER	42	8	414571	CAPSCREW 1/2-20NF X 1 LG HX HD GR5
4	2	302710	ANGLE - Y800	43	1	414603	CAPSCREW 1/2-20NF X 1-3/4 LG ALL-THRD GR5
5	2	302711	ANGLE - STD.	44	1	412149	BUSHING-DRUM
6	1	306035	SPRING - FLAT	45	2	414619	CAPSCREW 1/2-13NC X 2-1/2 LG HX HD ALL-THRD ZP
7	2	308083	BUSHING	46	4	414751	CAPSCREW 3/4-10NC X 1-3/4 GR5 NYLOK HVY PATCH
8	1	314007	CAM PLATE	47	4	414777	CAPSCREW 3/4-10NC X 1-3/4 GR5
9	1	314010	CABLE ANCHOR (STD.)	48	8	414871	CAPSCREW 5/16-18NC X 1-1/4 LG SOC HD LOK-WEL
10	1	324151	CLUTCH	49	6	414897	CAPSCREW 3/8-16NC X 1 LG SOC HD
11	1	324318	LOCKING RING	50	6	414909	CAPSCREW 3/8-16NC X 1-3/4 LG SOC HD LOK-WEL
12	1	328027	COVER - BRAKE	51	2	414950	CAPSCREW 1/2-13NC X 1-3/4 LG SOC HD LOK-WEL
13	1	328122	COVER - GEAR HOUSING	52	1	418067	NUT 1/2-20NF HX JAM
14	2	330010	SHOE - DRAG BRAKE	53	4	418163	LOCKWASHER 5/16 MED SECT PLTD
15	1	332167	DRUM (STANDARD)	54	4	418184	WASHER - FLAT 3/8 ALUM
16	1	332172	DRUM ("Y" 800)	56	8	418249	LOCKWASHER 3/4 MED SECT
17	1	334188	GEAR - R.H.	57	2	442192	GASKET
18	1	338221	HOUSING - BRAKE	58	1	442194	GASKET
19	1	338235	HOUSING - CLUTCH	59	1	442195	GASKET
20	1	338242	HOUSING - GEAR	60	1	456008	FITTING - RELIEF
21	1	340011	HUB - BRAKE	61	2	456031	FITTING - LUBE
23	1	342053	KEY	62	1	458048	MOTOR - HYD
24	1	342092	KEY	63	2	462013	QUAD-RING
25	2	342153	KEY	64	1	468002	REDUCER
26	1	350535	PLATE - HYD. ADAPTER	65	2	468011	PIPE PLUG
27	1	352021	PLATE - RETAINER	66	4	470042	PIN - ROLL
28	1	357498	SHAFT - DRUM (STD.)	67	4	470044	PIN - DOWEL
29	1	357502	SHAFT - DRUM (Y800)	68	4	470056	PIN - ROLL
30	1	362224	SPACER	69	1	474030	PLATE - RETAINER
31	1	368082	WORM R.H.	70	1	486068	SEAL - OIL
32	2	400007	BALL - BRAKE	71	1	486076	THREAD SEAL
33	8	400011	BALL - CLUTCH	72	1	490025	RING - RETAINER
34	2	402045	BEARING - BALL	73	1	494010	SPRING
35	1	412159	BUSHING-DRUM	74	2	494022	SPRING - DISC
36	1	412052	BUSHING	75	4	494069	SPRING
37	4	414038	CAPSCREW 1/4-20NC X 3/4 LG HX HD GR5	76	1	518016	THRUST WASHER
38	4	414069	CAPSCREW 5/16-18NC X 3/4 LG HX HD	77	1	530007	DISC - BRAKE
39	4	414111	CAPSCREW 5/16-18NC X 1 LG HX HD GR5	78	2	530094	SPACER - BRAKE
				79	1	416059	SETSCREW ("Y" DRUM ONLY)

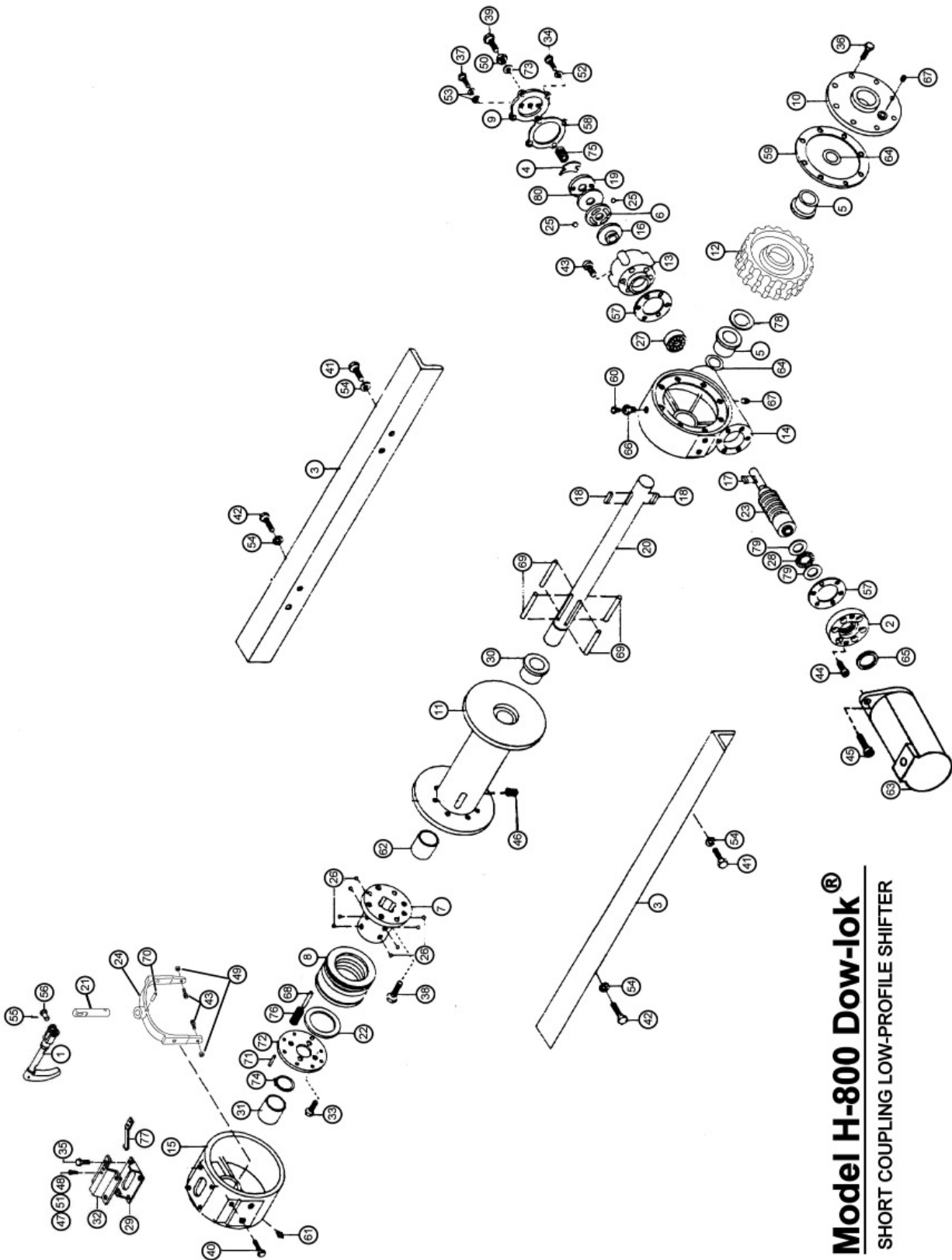


MODEL H-800 DOW-LOK
WITH AIR

PARTS LIST MODEL H-800 W/AIR DOW-LOK

PARTS LIST MODEL H-800 DOW-LOK® WITH AIR SHIFTER

Item No.	Qty.	Part No.	Description	Item No.	Qty.	Part No.	Description
1	1	299695	AIR SHIFTER BRACKET ASSEMBLY	43	1	414603	CAPSCREW 1/2-20NF X 1-3/4 LG ALL-THRD GR5
2	1	299733	COUPLING ASSEMBLY	44	2	414619	CAPSCREW 1/2-13NC X 2-1/2 LG HX HD ALL-THRD ZP
3	1	300048	ADAPTER	45	4	414751	CAPSCREW 3/4-10NC X 1-3/4 GR5 NYLOK HVY PATCH
4	2	302710	ANGLE - "Y" DRUM	46	4	414777	CAPSCREW 3/4-10NC X 1-3/4 GR5
5	2	302711	ANGLE - STD.	47	8	414871	CAPSCREW 5/16-18NC X 1-1/4 LG SOC HD LOK-WEL
6	2	306035	SPRING - FLAT	48	8	414897	CAPSCREW 3/8-16NC X 1 LG SOC HD
7	1	314007	BUSHING	49	6	414909	CAPSCREW 3/8-16NC X 1-3/4 LG SOC HD LOK-WEL
8	1	314010	CAM PLATE	50	2	414950	CAPSCREW 1/2-13NC X 1-3/4 LG SOC HD LOK-WEL
9	1	416059	CABLE ANCHOR ("STD." DRUM ONLY)	51	1	416061	SETSCREW 3/8-24NF X 1-1/4 LG
10	1	324151	SETSCREW ("Y" DRUM ONLY)	52	4	416214	SCREW #10-32NF X 1/4 LG RD HD Z/P
11	1	324318	LOCKING RING	53	4	416262	SCREW #10-32NF X 3/4 LG HX SOC Z/P
12	1	328027	COVER - BRAKE	54	2	418035	NUT 3/8-16NC HX REG Z/P
13	2	328122	COVER - GEAR HOUSING	55	1	418041	NUT 3/8-24NF HX JAM
14	1	330010	SHOE - DRAG BRAKE	56	1	418067	NUT 1/2-20NF HX JAM
15	1	332167	DRUM (STANDARD)	57	4	418141	LOCKWASHER #10 MED SECT Z/P
16	1	332172	DRUM ("Y")	58	4	418163	LOCKWASHER 5/16 MED SECT PLTD
17	1	334188	GEAR - R.H.	59	4	418184	WASHER - FLAT 3/8 ALUM
18	1	370047	YOKE	60	8	418249	LOCKWASHER 3/4 MED SECT
19	1	338221	HOUSING - BRAKE	61	1	424005	COTTER PIN
20	1	338235	HOUSING - CLUTCH	62	1	424029	CLEVIS PIN
21	1	338242	HOUSING - GEAR	63	1	433016	AIR CYLINDER
22	1	340011	HUB - BRAKE	64	2	442192	GASKET
23	2	342053	KEY	65	1	442194	GASKET
24	1	342092	KEY	66	1	442195	GASKET
25	1	350535	PLATE - HYD. ADAPTER	67	1	456008	FITTING - RELIEF
26	1	352021	PLATE - RETAINER	68	2	456031	FITTING - LUBE
27	1	357498	SHAFT - DRUM (STD.)	69	1	456038	BREATHER VENT
28	1	357502	SHAFT - DRUM ("Y")	70	1	412149	BUSHING-DRUM
29	1	358067	SHIFTER SHAFT	71	1	458048	MOTOR - HYD
30	1	362224	SPACER	72	2	462013	QUAD-RING
31	2	368082	WORMR.H.	73	1	468002	REDUCER
32	8	400007	BALL - BRAKE	74	2	468011	PIPE PLUG
33	2	402045	BALL - CLUTCH	75	4	470042	PIN - ROLL
34	1	412159	BEARING - BALL	76	4	470044	PIN - DOWEL
35	1	412052	BUSHING-DRUM	77	1	470045	PIN - ROLL
36	1	413074	BUSHING	78	4	470056	PIN - ROLL
37	4	414038	COVER - AIR SHIFT	79	1	474030	PLATE - RETAINER
38	4	414111	CAPSCREW 1/4-20NC X 3/4 LG HX HD GR5	80	1	486068	SEAL - OIL
39	4	414126	CAPSCREW 5/16-18NC X 1 LG HX HD GR5	81	1	486076	THREAD SEAL
40	8	414277	CAPSCREW 5/16-18NC X 3/4 LG HX HD	82	1	490025	RING - RETAINER
41	2	414399	CAPSCREW 3/8-16NC X 1 LG HX HD GR5 NYLOK HVY P	83	1	494010	SPRING
42	8	414571	CAPSCREW 1/2-20NF X 1 LG HX HD GR5	84	2	494022	SPRING - DISC
				85	4	494069	SPRING
				86	1	518016	THRUST WASHER
				87	1	530007	DISC - BRAKE
				88	2	530094	SPACER - BRAKE



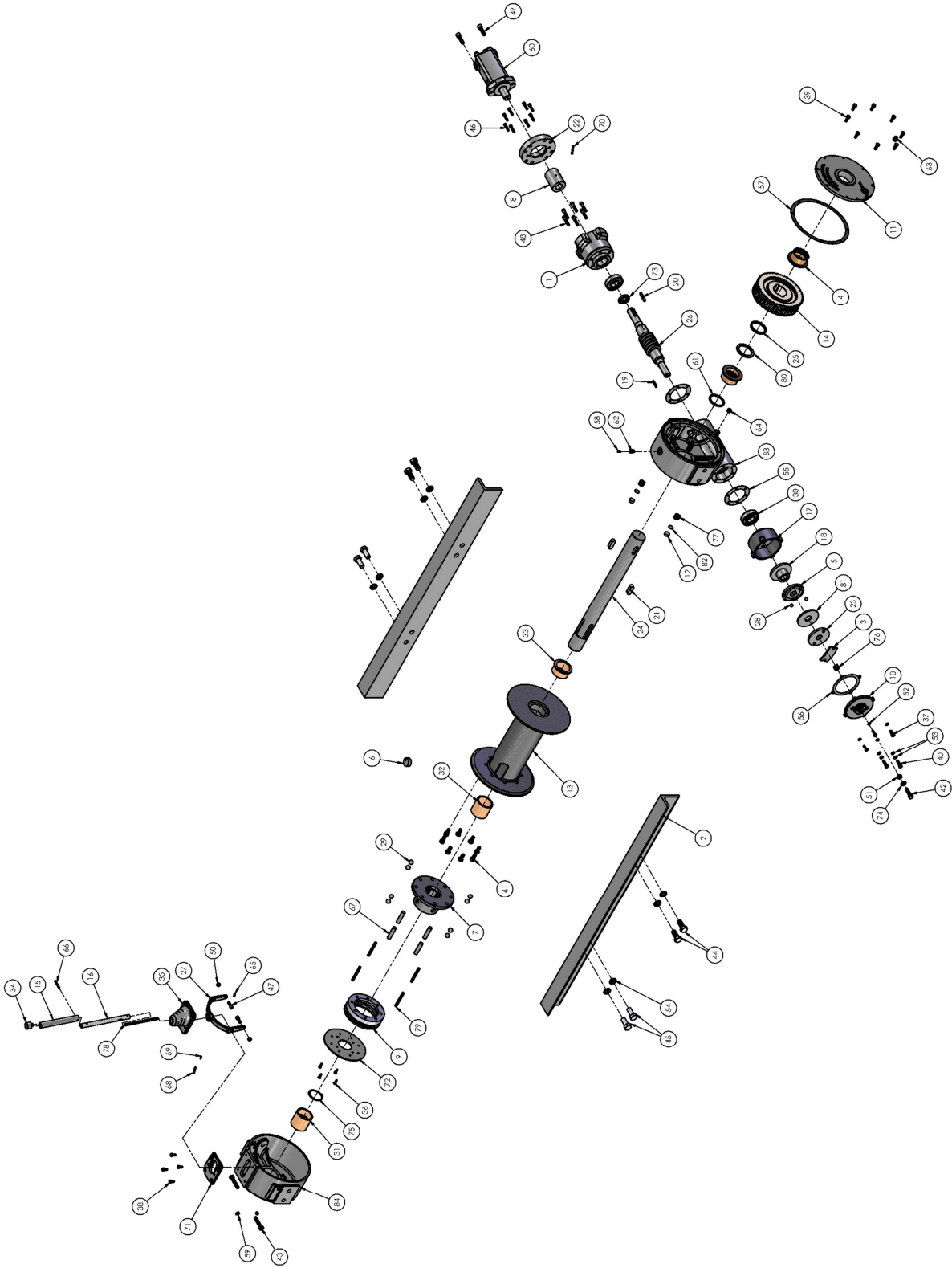
Model H-800 Dow-lok®
 SHORT COUPLING LOW-PROFILE SHIFTER

PARTS LIST MODEL H-800LOW PROFILE SHIFTER DOW-LOK

PARTS LIST MODEL H800 DOW-LOK® SHORT COUPLING & LOW-PROFILE SHIFTER

Item No.	Qty.	Part No.	Description	Item No.	Qty.	Part No.	Description
1	1	276061	SHIFTER LEVER ASSEMBLY	41	4	414751	CAPSCREW-3/4-10NC X 1.75 HEXHEAD, G-5, NYLOK
2	1	300063	ADAPTER	42	4	414777	CAPSCREW-3/4-10NC X 1 3/4 HEXHEAD, GR-5
3	2	302093	ANGLE	43	8	414897	CAPSCREW-3/8-16NC X 1 SOCKET HEAD
4	1	306035	SPRING-FLAT	44	6	414913	CAPSCREW-3/8-16NC X 1-1/4 SOCKET HEAD
5	2	308083	BUSHING	45	2	414952	CAPSCREW-1/2-13NC X 1 1/2 SOCKET HEAD, ZINC
6	1	314007	CAM PLATE	46	1	416059	SETSCREW 3/8-16NC X 1/2
7	1	324151	CLUTCH	47	2	416236	SCREW-#10-24NC X 1/2 SLOT HEXHEAD, ZINC
8	1	324318	LOCKING RING	48	2	418004	NUT-#10-24NC REG., ZINC
9	1	328027	COVER-BRAKE	49	2	418035	NUT-3/8-16NC REG., ZINC
10	1	328122	COVER-GEAR HOUSING	50	1	418067	NUT-1/2-20NF JAM
11	1	332172	DRUM-CABLE	51	2	418141	LOCKWASHER-#10 MED SECTION, ZINC
12	1	334188	GEAR, WORM - R.H.	52	4	418163	LOCKWASHER-5/16 MED SECT, ZINC
13	1	338221	HOUSING-BRAKE	53	4	418184	WASHER-FLAT 3/8
14	1	338242	HOUSING-GEAR	54	8	418249	LOCKWASHER-3/4 ID MED SECT,ZINC
15	1	338371	HOUSING-CLUTCH	55	1	424005	COTTER PIN
16	1	340011	HUB-BRAKE	56	1	424205	CLEVIS PIN
17	1	342053	KEY	57	2	442192	GASKET
18	2	342153	KEY	58	1	442194	GASKET
19	1	352021	RETAINER PLATE	59	1	442195	GASKET
20	1	357502	SHAFT-OUTPUT	60	1	456008	RELIEF FITTING
21	1	358075	SHAFT-SHIFTER	61	2	456031	LUBE FITTING
22	1	362224	SPACER	62	1	412149	BUSHING-DRUM
23	1	368196	WORM-R.H.	63	1	458048	MOTOR
24	1	370047	YOKE-SHIFTER	64	2	462013	QUAD-RING
25	2	400007	BALL BRAKE	65	1	486079	PILOT SEAL
26	8	400011	BALL CLUTCH	66	1	468002	REDUCER
27	1	402045	BEARING-BALL	67	2	468011	PIPE PLUG
28	1	402109	BEARING-THRUST	68	4	470042	ROLL PIN
29	1	408112	BRACKET CLUTCH SHIFTER	69	4	470044	DOWEL PIN
30	1	412051	BUSHING-DRUM	70	1	470045	ROLL PIN
31	1	412052	BUSHING-END BEARING	71	4	470056	ROLL PIN
32	1	413028	COVER-CLUTCH SHIFTER	72	1	474030	RETAINER PLATE
33	4	414038	CAPSCREW-1/4-20NC X 3/4 HEXHEAD, GR-5, ZINC	73	1	486076	SEAL
34	4	414111	CAPSCREW-5/16-18NC X 1 HEXHEAD, GR-5	74	1	490025	SNAP RING
35	4	414142	CAPSCREW-5/16-18NC X 3/4 HEXHEAD GR-5	75	1	494010	SPRING
36	8	414277	CAPSCREW-3/8-16NC X 1 HEXHEAD, GR-5, NYLOK	76	4	494069	SPRING
37	2	414399	CAPSCREW-3/8-24NF X 1.25, HX, GR-5, ALL-THREAD	77	1	494078	SPRING-RETAINER
38	8	414571	CAPSCREW-1/2-20NF X 1 HEXHEAD GR-5	78	1	518016	THRUST WASHER
39	1	414603	CAPSCREW-1/2-20NF X 1 3/4 ALL-THREAD, GR-5	79	2	518036	THRUST WASHER
40	2	414619	CAPSCREW-1/2-13NC X 2.5, HEXHEAD, ALL-THREAD, GR-5	80	1	530007	DISC-BRAKE

KITS AND MAINTENANCE PARTS 124409



KITS AND MAINTENANCE PARTS 124409

				KITS						
Item#	QTY.	PART NUMBER	DESCRIPTION	207043	222083	222089	246057	248064	250522	283087
1	1	300048	ADAPTER							
2	2	302711	ANGLE-1/2X4X3X52LG							
3	1	306035	SPRING-FLT,BRK	X						
4	2	308083	BUSHING-GH, DIA 2.51 ID					X		
5	1	314007	CAM PLT-BRK, DIA-4.0 OD X 0.375 THK	X						
6	1	314010	CABLE ANCHOR							
7	1	324151	CLUTCH-DOW-LOK			X				
8	1	324284	COUPLING-MOTOR,RPH-45,000,3.375 LG.							X
9	1	324318	LOCKING RING-CLUTCH			X				
10	1	328027	COVER-BRAKE							
11	1	328122	COVER-GH							
12	2	330010	SHOE-DRAG BRK,7/8DIA X3/8LG							
13	1	332167	DRUM-CABLE							
14	1	334188	GEAR, WORM - 800 R.H.						X	
15	1	336015	HANDLE-TUBE,OUTER		X					
16	1	336016	HANDLE-TUBE,INNER		X					
17	1	338221	HOUSING-WM BRK							
18	1	340011	HUB-BRAKE	X						
19	1	342053	KEY-RD ENDS 1/4X1/4X1 1/2LG							
20	1	342092	KEY-RD ENDS,5/16X5/16X2LG							X
21	2	342153	KEY-RD ENDS,5/8X5/8X1.937						X	
22	1	350535	PLATE-HYD ADAP							
23	1	352021	RETAINER PLATE	X						
24	1	357498	SHAFT-DRUM						X	
25	1	362224	SPACER-DRUM							
26	1	368082	WORM-RH,SL							
27	1	370047	YOKE-SHIFTER		X					
28	2	400007	BALL-1/2 DIA	X						
29	8	400011	BALL-3/4 DIA			X				
30	2	402045	BEARING-BALL						X	
31	1	412052	BUSHING-E/BRG					X		
32	1	412149	BUSHING-DRUM,GEAR HOUSING END					X		
33	1	412159	BUSHING-DRUM,CLUTCH HOUSING END					X		
34	1	413008	CAP-SHIF LEV		X					
35	1	413012	COVER-SHIF LEVER		X					

KITS AND MAINTENANCE PARTS 124409

Item#	QTY.	PART NUMBER	DESCRIPTION	KITS						
				207043	222083	222089	246057	248064	250522	283087
36	4	414038	CAPSCREW-1/4-20NCX3/4,HXHD,GR-5							
37	4	414111	CAPSCREW-5/16-18NCX1LG,HEX HD,GR-5							
38	4	414142	CAPSCREW-5/16-18NCX3/4LG,HX HD GR-5		X					
39	8	414277	BOLT-3/8-16NCX1,HXHD,GR5							
40	2	414399	BOLT-3/8-NFX1.25,HX,G5							
41	8	414571	CAPSCREW-1/2-20NFX1 LG,HXHD GRADE 5							
42	1	414603	CAPSCREW-1/2-20NFX1 3/4,ALL-THD,GR5							
43	2	414619	BOLT-1/2-13NCX2.5,HXHD,ALL-THD,GR-5							
44	4	414751	BOLT-3/4-10NCX1.75,HXD,G5							
45	4	414777	CAPSCREW-3/4-10NCX1 3/4LG,HXHD,GR-5							
46	8	414871	SCREW-5/16-18NCX1-1/4,HXSOC							
47	2	414897	CAPSCREW-3/8-16NC X 1LG,SOCKET HEAD			X				
48	6	414909	SCREW-3/8-16NCX1-3/4,HXSOC							
49	2	414950	SCREW-1/2-13NCX1-3/4,HXSOC							
50	2	418035	NUT-3/8-16NC HEX REG			X				
51	1	418067	NUT-1/2-20NF HEX JAM							
52	4	418163	LOCKWASHER-5/16 MED SECT							
53	4	418184	WASHER-3/8ID X5/8 ODX1/16							
54	8	418249	LOCKWASHER-3/4 ID MED SECT							
55	2	442192	GASKET-BRG CAP, DIA 4.750 OD				X		X	
56	1	442194	GASKET-BRK , DIA 4.120 ID				X		X	
57	1	442195	GASKET-GH COV, DIA 11.22 OD				X		X	
58	1	456008	RELIEF FIT-1/8-27PFT							
59	2	456031	FITTING-LUBE, 1/8-27NPTF							
60	1	458048	MOTOR-HYD							
61	2	462013	QUAD-RING-2 7/8ODX2 1/2IDX3				X		X	
62	1	468002	RED-3/8-1/8NPTF GEN							
63	1	468011	PIPE PLUG-3/8-18NPTF,7/16 SQ HD							
64	1	468018	PIPE PLUG-3/8-18NPTF HXSOCHD-LES							
65	1	470040	ROLL PIN-1/4 DIA X 5/8 LG		X					
66	5	470042	ROLL PIN-1/4 DIA X 1 3/4 LG		X					
67	4	470044	DOWEL PIN-5/8DIA X 1/2LG							
68	1	470045	ROLL PIN-1/4 DIA X 1 1/2 LG		X					
69	4	470056	ROLL PIN-5/32 X 5/8 LG							
70	1	470075	PIN-1/4X 2							X

KITS AND MAINTENANCE PARTS 124409

				KITS						
Item#	QTY.	PART NUMBER	DESCRIPTION	207043	222083	222089	246057	248064	250522	283087
71	1	474029	PLATE-SHIF PATTERN		X					
72	1	474030	PLATE-RETAINER							
73	1	486068	SEAL-OIL, DIA 2.0 OD				X		X	
74	1	486076	SEAL-1/2,THREAD/BRK				X			
75	1	490025	RING-RETAINER							
76	1	494010	SPRING-14 GAX7/8 ODX3/4LG,1/4 PITCH	X						
77	2	494022	SPRING-BRK DISC							
78	1	494067	SPRING-COMP							
79	4	494069	SPRING-COMP,PER DWG SPECIF							
80	1	518016	THRUST WASHER-GH					X		
81	1	530007	PLATE-THRUST	X						
82	2	530094	SPACER-BRK DISC							
83	1	338242	HOUSING-GEAR							
84	1	338235	HOUSING-CLUTCH							

Warranty Information

Ramsey Winches are designed and built to exacting specifications. Care and skill go into every winch we make. If the need should arise, warranty procedure is outlined on the back of your self-addressed, postage paid warranty card. Please read and fill out the enclosed warranty card and send it to Ramsey Winch Company. If you have any problems with your winch, please follow instructions for prompt service on all warranty claims.

Limited Lifetime Warranty

RAMSEY WINCH warrants each new RAMSEY Winch to be free from defects in material and workmanship for a period of one (1) year from date of purchase.

The obligation under this warranty, statutory or otherwise, is limited to the replacement or repair at the Manufacturer's factory, or at a point designated by the Manufacturer, of such part that shall appear to the Manufacturer, upon inspection of such part, to have been defective in material or workmanship.

This warranty does not obligate RAMSEY WINCH to bear the cost of labor or transportation charges in connection with the replacement or repair of defective parts, nor shall it apply to a product upon which repair or alterations have been made, unless authorized by Manufacturer, or for equipment misused, neglected or which has not been installed correctly.

RAMSEY WINCH shall in no event be liable for special or consequential damages. RAMSEY WINCH makes no warranty in respect to accessories such as being subject to the warranties of their respective manufacturers.

RAMSEY WINCH, whose policy is one of continuous improvement, reserves the right to improve its products through changes in design or materials as it may deem desirable without being obligated to incorporate such changes in products of prior manufacture.

If field service at the request of the Buyer is rendered and the fault is found not to be with RAMSEY WINCH's product, the Buyer shall pay the time and expense to the field representative. Bills for service, labor or other expenses that have been incurred by the Buyer without approval or authorization by RAMSEY WINCH will not be accepted

See warranty card for details.

**RAMSEY WINCH INDUSTRIAL WINCH
LIMITED WARRANTY**

1.1 Scope of Warranty Coverage. Upon the terms and subject to the conditions set forth in this limited warranty:

- (a) RAMSEY WINCH (referred to herein as “**RAMSEY WINCH**” or the “**Manufacturer**”) warrants to each initial end user customer (a “**Purchaser**”) of a new industrial winch together with any accessories manufactured and sold directly from RAMSEY WINCH (the “**Product**”) that the Product shall be free from defects in material and workmanship, under normal working and service conditions, for a period of eighteen (18) months from the date the Product is shipped from RAMSEY WINCH. (the “**Warranty Term**”). A Purchaser shall be eligible for an additional eighteen (18) months of coverage in addition to the Warranty Term (also referred to as the “**Standard (+) PLUS benefit**”) only if the Purchaser (i) complies with Section 1.2(a) and (ii) registers the Product during the Warranty Term at myproduct.ramseywinch.com.
- (b) Notwithstanding the foregoing, this warranty does not cover components damaged by accident, abuse, misuse, neglect, untrained operators, collision, overloading, modification, disassembly, rework, misapplication, improper installation, lack of lubrication or maintenance, or improper service. This warranty does not cover the paint or material finish, rope (wire or synthetic), removal or reinstallation of the winch, or normal wear and tear and loss of functionality due to aging of the Product (which may include but is not limited to bearings, bushings, seals, O-rings, gaskets, brake material, motor brushes, electrical cables and more).

1.2 Eligibility of Warranty Coverage.

- (a) A Purchaser shall be eligible for warranty coverage under this Limited Warranty during the Warranty Term only if:
 - (i) Prior to placing a Product in service, and throughout use of the Product during the Warranty Term, the Purchaser provides (or causes to be provided) proper storage such that foreign objects (e.g. rain or debris) cannot enter any Product through entry ports which are normally closed during operation.; and
 - (ii) The Purchaser maintains, or causes to be maintained, the Product according to commercially reasonable standards and utilizes the Product for the purposes for which it was created; and
 - (iii) No repairs or alterations have been made by any party other than RAMSEY WINCH, including Purchaser, unless otherwise authorized in writing by RAMSEY WINCH.

1.3 Transferability of Warranty.

- (a) This warranty is transferable only from the Purchaser to the first subsequent transferee (the “**Transferee**”) of the Product from Purchaser upon (i) written notification to RAMSEY WINCH and (ii) registration of the transfer, both within 30 days of such Product transfer.
- (b) Upon satisfaction of transfer requirements set forth in Section 1.3(a), the Transferee shall succeed to all the rights and obligations of the Purchaser set forth in this Limited Warranty.

1.4 Certain Limitations on Scope of Warranty Service.

- (a) Any obligation of RAMSEY WINCH under this warranty, statutory or otherwise, is limited to the repair of the Product, at its factory or Authorized Service Centers. Notwithstanding the foregoing, if field service or repair is performed by RAMSEY WINCH at the request of the Purchaser and no defect is found with material or workmanship of the Product, the Purchaser shall compensate RAMSEY WINCH for its time and expenses within thirty (30) days of delivery of an invoice relating to the same. If repair is determined by RAMSEY WINCH in its sole, absolute and uncontrolled discretion to be impossible or impractical, then RAMSEY WINCH may satisfy this warranty by replacing the Product. RAMSEY WINCH will not provide any cash payment or credits for defective materials or workmanship.

- (b) Purchaser shall be responsible for any and all freight charges for any Product receiving warranty service under this limited warranty. Any travel time, transportation charges, freight charges, or similar costs incurred by RAMSEY WINCH in connection with the replacement or repair of defective parts, shall, be the responsibility of the Purchaser. If applicable, RAMSEY WINCH shall invoice Purchaser for the total amount of such charges within sixty (60) days of fulfilling its duties under this warranty, payable within thirty (30) days of delivery of such invoice. In no event shall RAMSEY WINCH be liable for bills for service, labor or other expenses that have been incurred by the Purchaser without approval or prior authorization by RAMSEY WINCH for inspection, maintenance, or repair of the Product.
- (c) If a Product is found to be operable upon inspection, the Product, at Purchaser's election, may be either (1) returned to the Purchaser with a service charge from RAMSEY WINCH for inspection, cleaning, and routine replacement of all rubber components and any other parts that show wear; or (2) RAMSEY WINCH can dispose of the product safely.

1.5 **Limitations of Liability.** RAMSEY WINCH shall in no event be liable for punitive, special or consequential damages relating to the Product or this Warranty. RAMSEY WINCH makes no warranty in respect to third-party accessories, upgrades, or additions to the Product.

1.6 **Improving Product.** RAMSEY WINCH reserves the right to improve the Product through changes in design or materials as it may deem desirable or necessary without being obligated to incorporate, upgrade, or otherwise modify previously manufactured products.

1.7 **Limitations of Warranty.**

- (a) THE WARRANTY SET FORTH ABOVE IS THE ONLY EXPRESS WARRANTY. RAMSEY WINCH HEREBY DISCLAIMS AND EXCLUDES ANY OTHER EXPRESS, IMPLIED, OR STATUTORY WARRANTIES, ARISING BY OPERATION OF LAW, COURSE OF DEALING, COURSE OF PERFORMANCE, USAGE, OF TRADE, OR OTHERWISE, INCLUDING, WITHOUT LIMITATION, ANY WARRANTIES OF MERCHANTABILITY, FITNESS FOR A PARTICULAR PURPOSE, AND INTELLECTUAL PROPERTY RIGHTS OF A THIRD PARTY.
- (b) ANY IMPLIED WARRANTY WHICH BY LAW MAY NOT BE EXCLUDED IS LIMITED IN DURATION TO ONE (1) YEAR FROM THE DATE OF ORIGINAL RETAIL PURCHASE OF THE PRODUCT.
- (c) This warranty gives you specific legal rights, and you may also have other rights which vary from jurisdiction to jurisdiction.
- (d) This warranty is valid only in the U.S.A. and Canada. For warranty outside the U.S.A. and Canada contact your nearest Ramsey Winch Distributor.

1.8 **No Modifications to Warranty.** No RAMSEY WINCH dealer, distributor, agent or employee is authorized to make any modification, extension or addition to this warranty.

1.9 **How to Apply for Warranty Coverage.**

All claims are handled by contacting your nearest Ramsey Winch Distributor. For questions, please contact customer support: rwcustomersupport@ramseyindustries.com.

Visit [Dealer Locator - Ramsey Winch](#) for Ramsey Winch Distributor locations and contact information.

Additional warranty, service support, product information, and parts information can be found on www.ramseywinch.com.



RAMSEY WINCH COMPANY

P.O. BOX 581510 • Tulsa, OK 74158-1510 • <http://www.ramsey.com>

Telephone: (918) 438-2760 • FAX: (918) 438-6688

