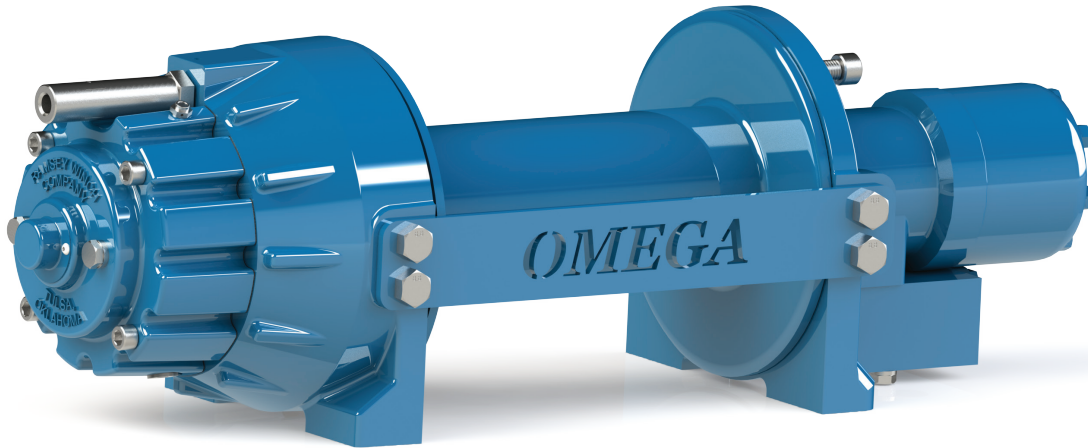


10,000 lb
Rated Line Pull



FEATURES AND BENEFITS

- Simple design
- Field serviceable
- Strong automatic load-holding brake for strength and reliability
- Multiple drum sizes available
- Built to perform under extreme conditions
- Optimal power to weight ratio
- Low profile envelope for compact installation. Saves weight and space.
- Easy to use and verify engagement. Spring loaded pull and rotate clutch design for free spooling
- Available in both air and manual shift
- Superior cable management system; Ramsey roller tensioner
- Parts optimized to provide strength
- Meets SAE J706
- 2 year warranty
- Made in the USA

OMEGA 10000 SPECIFICATIONS

Rated Line Pull	10,000 lbs (4,536 kgs)
Weight (without Cable)	126 lbs (57.15 kgs)
Gear Reduction	5.1:1

Layer of Cable		1	2	3	4
*Rated Line Pull / Layer	lbs.	10,000	8,334	7,144	6,251
	kgs.	4,536	3,240	2,836	2,521
*Cable Capacity	Ft.	23	51	83	120
	M.	7.0	15.4	25.2	36.4
Line Speed at 17 GPM	FPM	35	41	47	54
	MPM	10.6	12.5	14.4	16.3

* Specifications are based on recommended wire rope of 7/16" (11 mm) EIPS cable and a 22.8 cu in./rev. motor.
* 1,700 psi working pressure
- Winch meets SAE J706.

NOTE: The rated line pulls shown are for the winch only. Consult the wire rope manufacturer for wire rope ratings.

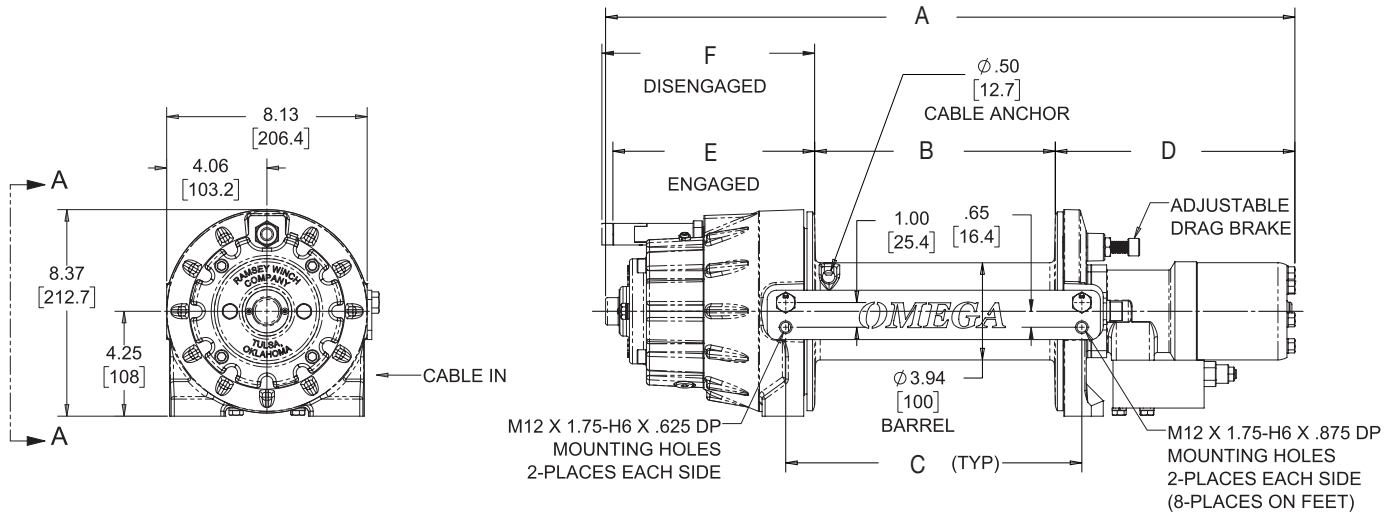
STRENGTH. DEPENDABILITY. DURABILITY.

4707 N. Mingo Road, Tulsa, OK 74117 | ramseywinch.com | Phone: 1-800-777-2760

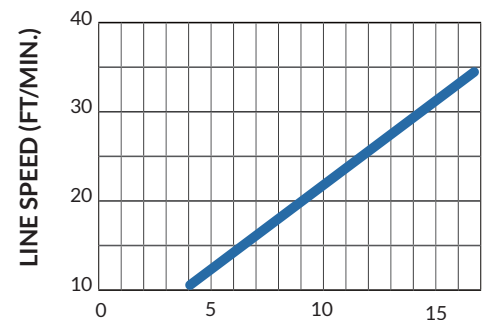
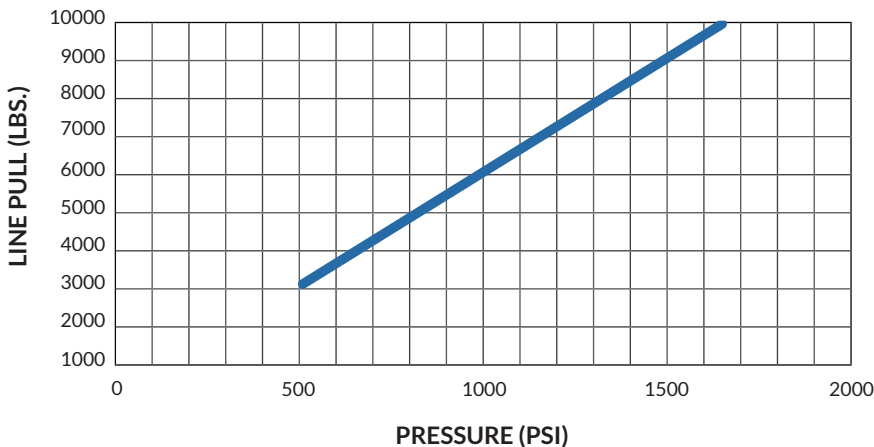


OMEGA 10000 Heavy Duty Planetary

Rated Line Pull 10000



WINCH MODEL	A INCHES (mm)	B INCHES (mm)	C INCHES (mm)	D INCHES (mm)	E INCHES (mm)	F INCHES (mm)
Standard Drum (Air and Manual Shift)	27.93 (709.5)	9.75 (247.7)	12.00 (304.8)	9.71 (246.6)	8.18 (207.7)	8.62 (219.1)



STRENGTH. DEPENDABILITY. DURABILITY.

4707 N. Mingo Road, Tulsa, OK 74117 | ramseywinch.com | Phone: 1-800-777-2760

