



Applicable for:
H, HD, HDG, HSW and DC
Worm Gear Series Winches

Effective, reliable design

- Torsional springs for uniform pressure
- Reduces “bird-nesting” when free-wheeling cable
- Aids in level winding

Maintenance free

- Roller uses oil impregnated bronze bushings
 - Permanently lubricated
- All other components zinc plated
 - Excellent corrosion resistance

Roller design

- Rolls on cable
- Increases cable life over plate tensioners

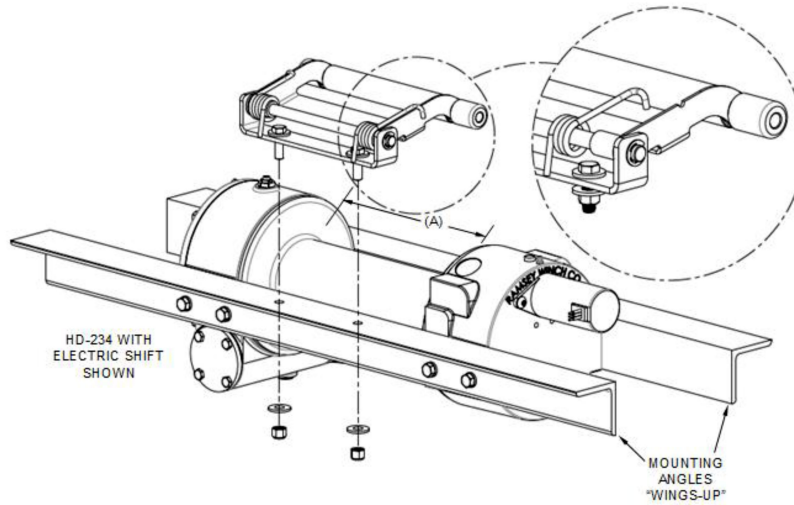
Simple bolt-on accessory

- Factory installed option
- Field installable
 - Requires holes to be drilled
- Over wound
- Left or right drum rotation
- Standard drum

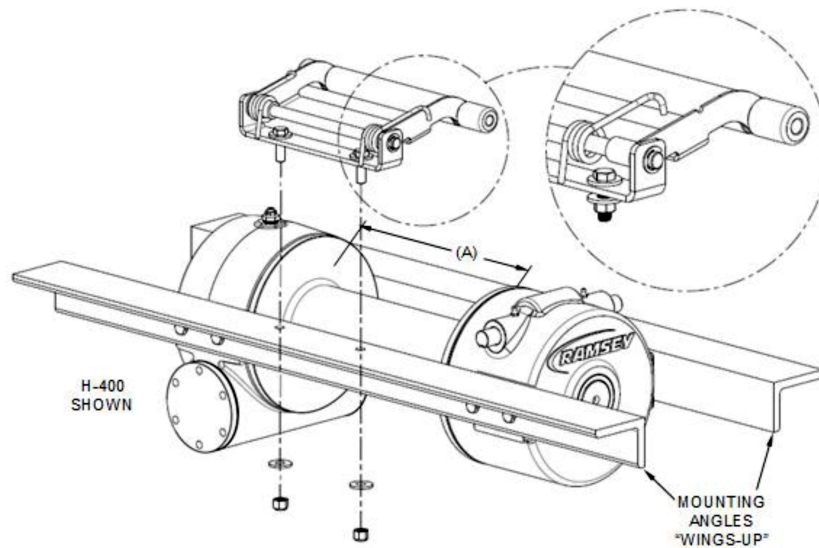
Worm Gear Series - Roller Tensioner Kits

Ramsey Part Number	Description	Series (Hydraulic)		Series (Heavy Duty Electric)		Cable Installation (see notes)	Installation Instructions (Document No.)
		H-200 H-246 H-300 H-346	HD-200 HD-234 HDG-350 HSW-1000	DC-12-34.9 DC-24-34.9 DC-200 DC-24-200 DC-246	DC-24-246 DC-300 DC-24-300 DC-346 DC-24-346		
256169	Roller Tensioner Kit <i>Standard Drum Length</i>					Overwound Only	913439 913442
256171	Roller Tensioner Kit <i>Standard Drum Length</i>	H-400	HG-400	N/A	N/A	Overwound Only	913441 913442

Notes: (1) Mounting angles required in the “wing-up” position. (see sketch on reverse side)
 (2) Roller tensioner is designed to be used with steel cable or synthetic rope.



Applicable for:
H, HD, HDG, HSW and DC
Worm Gear Series Winches



Worm Gear Series - Roller Tensioner Kits

Ramsey Part Number	Description	Drum Measurement (A)	Shipping Weight lb (kg)	Shipping Dimensions (L x W x H) in (mm)
256169	Roller Tensioner Kit <i>Standard Drum Length</i>	11.31 in (287.3 mm)	6 (2.72)	17 x 11 x 4.5 (431.8 x 279.4 x 114.3)
256171	Roller Tensioner Kit <i>Standard Drum Length</i>	11.63 in (295.4 mm)	6 (2.72)	17 x 11 x 4.5 (431.8 x 279.4 x 114.3)

Notes: (1) Mounting angles required in the "wing-up" position.
 (2) Roller tensioner is designed to be used with steel cable or synthetic rope.