

Applicable for:
**Roller Tensioner Kit for
 HD234 Worm Gear Series
 Winches in Miller Frame**



Effective, reliable design

- Torsional springs for uniform pressure
- Reduces “bird-nesting” when free-wheeling cable
- Aids in level winding

Maintenance free

- Roller uses oil impregnated bronze bushings
 - Permanently lubricated
- All other components zinc plated
 - Excellent corrosion resistance

Roller design

- Rolls on cable
- Increases cable life over plate tensioners

Simple bolt-on accessory

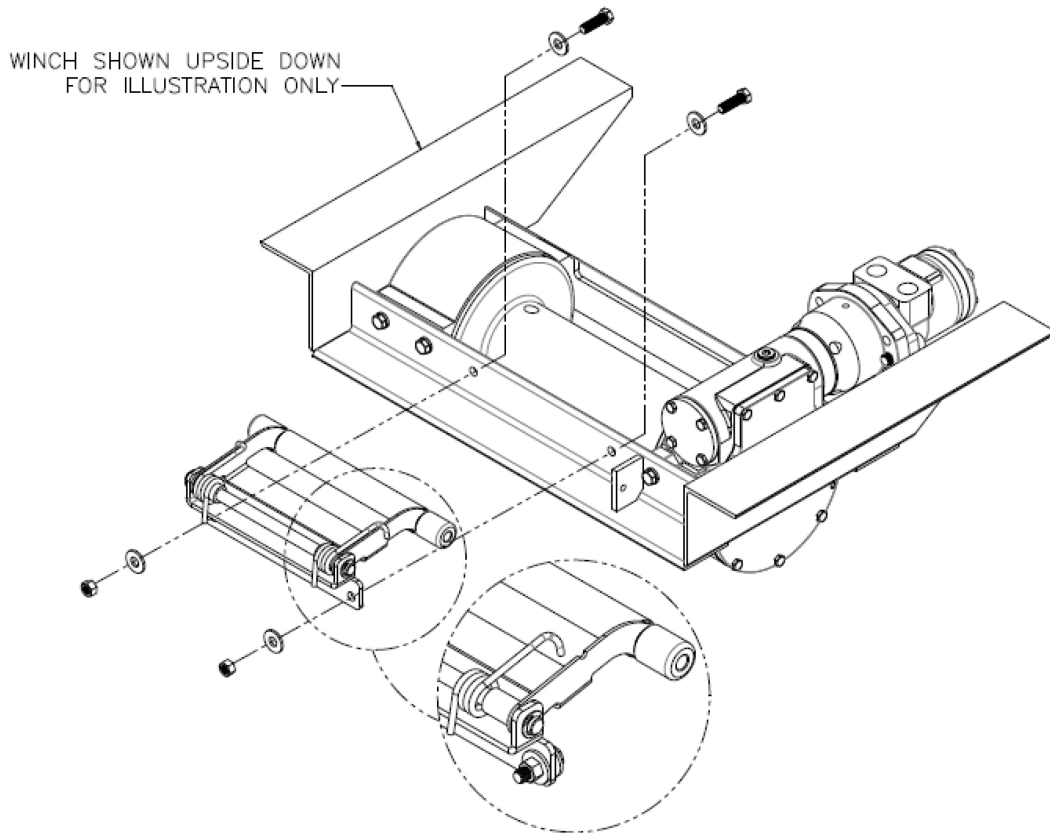
- Factory installed option
- Field installable
 - Requires holes to be drilled
- Under wound
- Standard drum

Roller Tensioner Kit for HD234 Series in Miller Frame

Ramsey Part Number	Description	Cable Installation (see notes)	Installation Instructions (Document No.)
256168	Roller Tensioner Kit <i>Standard Drum Length</i>	Underwound Only	913438 913442

Notes: (Roller tensioner is designed to be used with steel cable or synthetic rope.)

Applicable for:
**Roller Tensioner Kit for
 HD234 Worm Gear Series
 Winches in Miller Frame**



Roller Tensioner Kit for HD234 Series in Miller Frame

Ramsey Part Number	Description	Drum Measurement	Shipping Weight lb (kg)	Shipping Dimensions (L x W x H) in (mm)
256168	Roller Tensioner Kit Standard Drum Length	11.31 in (287.3 mm)	6 (2.72)	17 x 11 x 4.5 (431.8 x 279.4 x 114.3)

Notes: Roller tensioner is designed to be used with steel cable or synthetic rope.