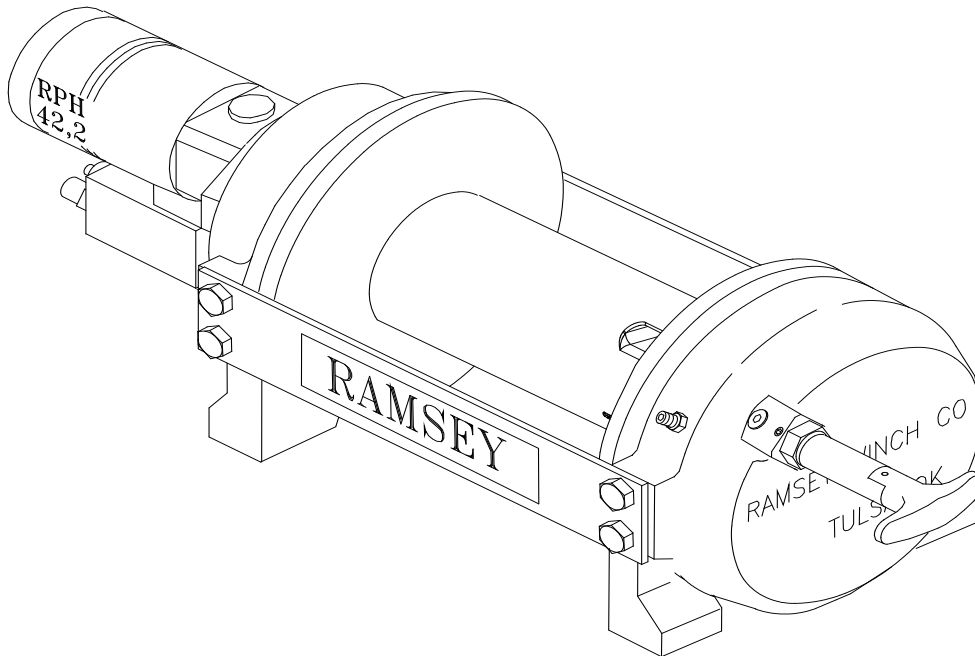




# OPERATING, SERVICE AND MAINTENANCE MANUAL

English (Original Instructions) ..... 1  
 Français (Traduction des instructions originales) . . 18  
 Deutsch (Übersetzung der Originalanleitung) . . . . . 34  
 Español(Traducción de las instrucciones originales).50



## MODEL RPH 42,2 PLANETARY WINCH

**INTENDED USE: VEHICLE RECOVERY AND PULLING OF LOADS**



**CAUTION: READ AND UNDERSTAND THIS MANUAL BEFORE INSTALLATION AND OPERATION OF WINCH. SEE WARNINGS!**

**Ramsey Winch Company**  
 P.O. Box 581510 - Tulsa, OK 74158-1510 USA  
 Phone: (918) 438-2760 - Fax (918) 438-6688  
 Visit us at <http://www.ramsey.com>

### Ramsey Authorized Representative in the Community

(Please contact for regulatory inquiries only.)

Alura Group BV  
 P.O. Box 18626  
 2502 EP The Hague  
 The Netherlands  
 Tel: (31) (0) 70 362-4896  
 Fax: (31) (0) 70 346-7299





4707 N. Mingo

Tulsa, Oklahoma 74117

(918) 438-2760

**EC DECLARATION OF CONFORMITY**

as defined by Machinery Directive 2006/42/EC

Here with we declare that winch model RPH 42,2 complies with the following directive provided that the USER complies with all responsibilities described in the Owner's Manual:

2006/42/EC

Applied harmonized standards:

EN 14492-1:2006

Power-Driven Winches

ISO 9001:2000

Quality Management Systems

Requirements

**DÉCLARATION DE CONFORMITÉ EC**

aux termes de la directive Machines 2006/42/EC

Nous déclarons par la présente que le modèle de treuil RPH 42,2 est conforme à la directive suivante, sous réserve que l'UTILISATEUR ait assumé toutes les responsabilités figurant dans le manuel de l'utilisateur :

2006/42/EC

Normes harmonisées appliquées :

EN 14492-1:2006

Treuils motorisés

ISO 9001:2000

Systèmes de gestion de la qualité - Exigences

**EC-KONFORMITÄTSERKLÄRUNG**

gemäß Maschinenrichtlinie 2006/42/EC

Hiermit erklären wir, dass das Windenmodell RPH 42,2 der folgenden Richtlinie entspricht, sofern der BENUTZER alle Anweisungen im Benutzerhandbuch befolgt:

2006/42/EC

Angewandte harmonisierte Normen:

EN 14492-1:2006

Kraftgetriebene Winden

ISO 9001:2000 Qualitätsmanagementsysteme -

Anforderungen

**DECLARACIÓN EC DE CONFORMIDAD**

según se define en la directiva de máquinas 2006/42/EC

Con la presente declaramos que el modelo de cabestrante RPH 42,2 se halla en conformidad con la siguiente directiva siempre que el USUARIO cumpla todas las responsabilidades descritas en el Manual del propietario:

2006/42/EC

Normas armonizadas aplicadas:

EN 14492-1:2006

Cabestrantes accionados mecánicamente

ISO 9001:2000

Requisitos de los Sistema de gestión de la calidad

Ramsey Authorized Representative in the Community / Ramsey Représentant autorisé dans la comuauté / Ramsey Bevollmächtigter in der Europäischen Union / Ramsey Representante autorizado en la comunidad.

(Please contact for regulatory inquiries only. / Veuillez prendre contact uniquement pour des questions réglementaires.)  
(Bitte nur bei Regulierungsfragen kontaktieren. / Póngase en contacto sólo por cuestiones de reglamentación.)

Alura Group BV  
P.O. Box 18626  
2502 EP The Hague  
The Netherlands  
Tel: (31) (0) 70 362-4896  
Fax: (31) (0) 70 346-7299

Serial Number / Numéro de série/ Seriennummer/ Número de Serie: \_\_\_\_\_

Signature / Signature / Unterschrift / Firma:

Todd Brady

Engineering Manager / Directeur technique/ Technischer Leiter/ Director de ingeniería

Date / Date / Datum / Fecha:

06/09/11

**TABLE OF CONTENTS**

INTRODUCTIONS ..... 3

USER’S RESPONSIBILITY FOR CE COMPLIANCE ..... 3

SPECIFICATIONS ..... 3

WARNINGS ..... 3

WINCH MOUNTING ..... 4

ROPE INSTALLATION ..... 4

MAINTENANCE ..... 5

OPERATION ..... 5

HYDRAULIC SYSTEM REQUIREMENTS ..... 6

TYPICAL LAYOUT ..... 6

PERFORMANCE CHARTS ..... 6

TROUBLE SHOOTING GUIDE ..... 7

END OF SERVICE MEASURES ..... 8

OVERHAUL INSTRUCTIONS ..... 8-10

DIMENSIONAL DRAWINGS ..... 11-12

PARTS LIST AND PARTS DRAWINGS ..... 13-16

CE DECLARATION OF CONFORMITY ..... 17

## SPECIFICATIONS\*

First Layer Line Pull	42,2 kN (9480 lb)				
Noise Level	75 db				
Ambient Temp. Range	-28C to 60C (-20F to 140F)				
Gear Reduction	5.1:1				
Weight (without rope)	STD. DRUM	49,9 Kg (110 lb)			
	"Y" DRUM	47,6 Kg (105 lb)			
LAYER OF ROPE	1	2	3	4	
Line pull per layer	kN	42,2	35,2	30,2	26,4
	lb	9,480	7,900	6,700	5,900

### \* Rope Capacity Per Layer

STD. DRUM	m	6	15	24	36
	ft	20	50	80	120
"Y" DRUM	m	4	9	16	24
	ft	15	30	55	80
* Line Speed at 56,7 LPM (15 GPM)	MPM	9,7	11,2	13,0	14,8
	FPM	32	37	43	49
* These specifications are based on recommended wire rope of 11 mm (.433") 1960 grade wire rope and a 408 cc (24.9 cu in) /Rev. motor.					

## WARNINGS:

**THE USER SHALL ENSURE THAT THE OPERATING PERSONNEL ARE GIVEN THE NECESSARY TRAINING.**

**THE OPERATOR SHALL ALWAYS WORK IN COMPLIANCE WITH THE OPERATING INSTRUCTIONS.**

**A MOTOR SPOOL (OPEN CENTER) DIRECTIONAL CONTROL VALVE IS REQUIRED FOR BRAKE OPERATION.**

**CLUTCH MUST BE FULLY ENGAGED BEFORE STARTING THE WINCH.**

**DO NOT DISENGAGE CLUTCH UNDER LOAD.**

**STAY OUT FROM UNDER AND AWAY FROM RAISED LOADS.**

**STAND CLEAR OF ROPE WHILE PULLING. DO NOT TRY TO GUIDE ROPE.**

**DO NOT USE WINCH TO LIFT, SUPPORT, OR OTHERWISE TRANSPORT PERSONNEL.**

**A MINIMUM OF 2 WRAPS OF ROPE AROUND THE DRUM BARREL IS NECESSARY TO HOLD THE LOAD.**

**IN CAR CARRIER APPLICATIONS, AFTER PULLING VEHICLE ON CARRIER, BE SURE TO SECURE VEHICLE TO CARRIER**

**BED. DO NOT MAINTAIN LOAD ON WINCH ROPE WHILE TRANSPORTING VEHICLE. DO NOT USE WINCH AS A TIEDOWN.**

**AVOID CONDITIONS WHERE LOAD SHIFTS OR JERKS OCCUR. EXCESSIVE "INCHING" SHALL BE AVOIDED.**

## USER'S RESPONSIBILITY FOR CE COMPLIANCE

1. Use only a motor spool (open center) control valve Per Hydraulic System Requirements.
2. If a remote-operated winch control valve is used, refer to Hydraulic System Requirements for Emergency Stop components to be installed.
3. Adjust system relief pressure per Hydraulic System Requirements
4. Mount winch per Winch Mounting Instructions.
5. Install 11 mm (.433 inch), grade 1960 wire rope. For STD drum, maximum rope length of 36 M (120 ft) for four layers maximum. For Y drum, maximum rope length of 24 M (80 ft) for four layers maximum.  
Attach rope to the drum per Rope Installation Instructions. Hook must have a safety latch and a minimum breaking strength of 106 kN.

## WINCH MOUNTING

### ESSENTIAL MOUNTING INSTRUCTIONS TO MAINTAIN ALIGNMENT OF PLANETARY WINCH COMPONENTS:

It is most important that this winch be mounted securely so that the three major sections (the motor end, the rope drum, and the gear housing end) are properly aligned. Excessive bushing wear and difficulty in freespooling are usually symptoms of misalignment.

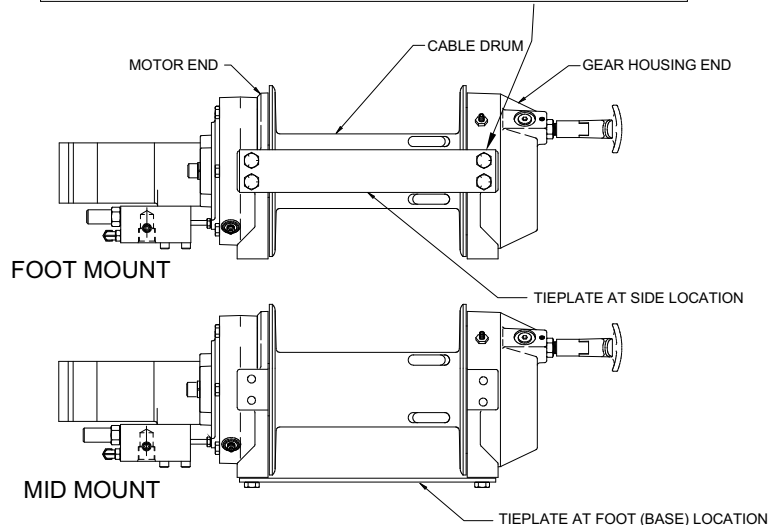
In the as-installed condition, if the winch is mid-mounted, then at least one tie-plate must be attached to the mounting feet at the bottom of the winch to maintain alignment. If the winch is foot mounted then at least one tie-plate must remain mounted at midpoint of winch to maintain alignment. It is always preferred to use BOTH tie-plates in the final installed configuration.

Angle Mounting Kit, P/N 251006 (for STD drum) and P/N 251007 (for "Y" drum) is recommended for maximum ease in mounting the winch. The angle kit will allow the winch to be mounted in upright or midmount applications and will meet the criteria of serving as a solid and true mounting surface.

When mounting the winch with other than the recommended Ramsey Angle Kit, the mounting hole patterns described in the Dimensional drawings on pages 11-12 should be used. The mounting surface must be flat within 0,38 mm (.015 in) and sufficiently stiff to resist flexing. If a steel plate is used for foot mounting, it should be 19 mm (.75 in) thick. For this mounting application eight (8) 1/2-13NC x 1-1/2" long grade 5 capscrews with lockwashers will be needed to mount winch. Capscrews should be tightened to 115 Nm (85 ft-lb) torque.

**NOTE:** If angles or a steel plate are used in mounting winch, tie-plates provided with winch are to be attached to the remaining mounting pads, whether they be side or foot.

**CAUTION:** If longer bolts (minimum grade 5) are substituted to mount winch or to mount a roller guide at the side mount pads, bolt length must be such as to allow between 12,7mm (.50 in) and 17,5 mm (.68 in) thread length engagement in the tapped holes in side of each end bearing. Use of excessive length bolts will damage the winch and prevent freespool of the drum. Torque bolts to 75 Nm (55 ft lb).



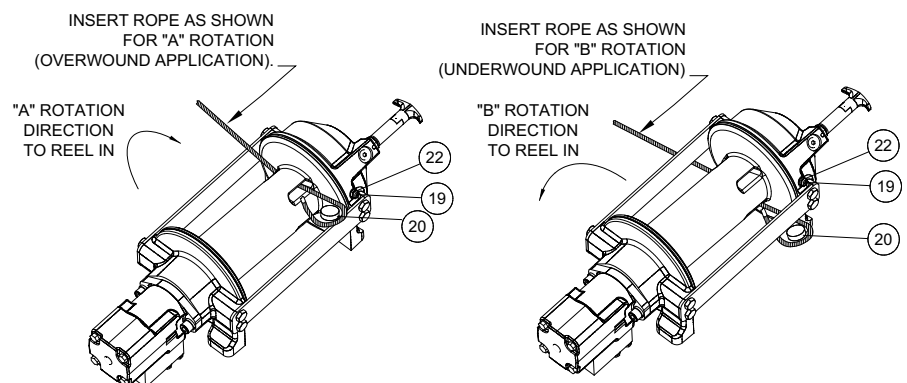
## ROPE INSTALLATION

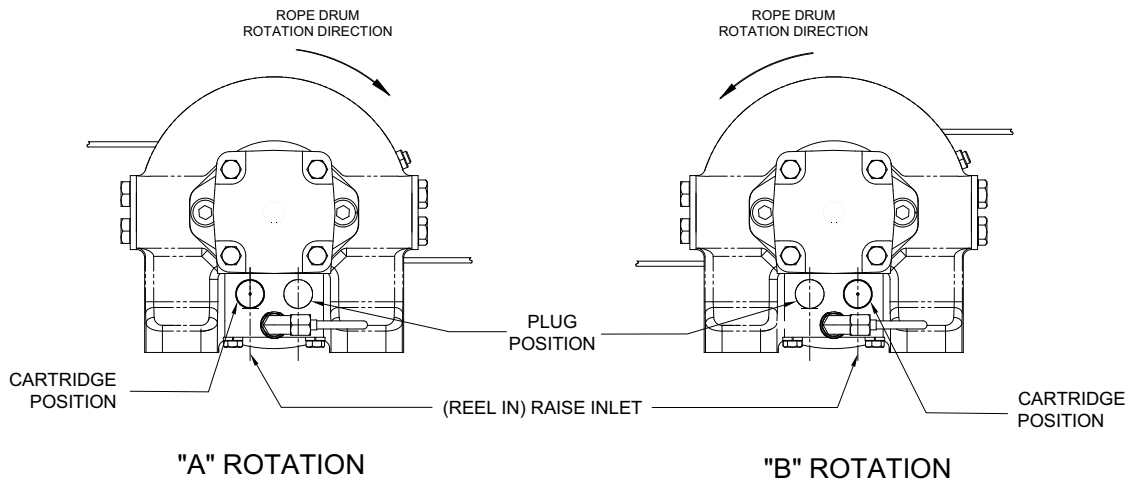
An "A" or "B" decal on the clutch end bearing indicates the spooling direction of the rope. Also, a letter "A" or "B" is stamped in the end bearing on the clutch end indicating rotation direction. If the decal is damaged or unreadable, contact Customer Service for additional instructions to determine proper direction. **To reverse the rotation direction, exchange positions of the cartridge and plug as shown on page 5.**

1. Unwind rope by rolling it out along the ground to prevent kinking. Securely wrap end of rope, opposite hook, with plastic or similar tape to prevent fraying.
2. Slide the wire rope through narrow end of the pocket against the drum flange. Wrap the wire rope around on the anchor "puck" (item #20) and pull the wire rope and anchor back into the wide end of the pocket. Use a soft hammer to drive the back side of the wire rope, firmly seating the wire rope and anchor into the pocket.
3. Carefully run winch in the "reel-in" direction. Keeping tension on end of rope, spool all the rope onto the rope drum, taking care to form neatly wrapped layers.

After installing rope, check freespool operation. Disengage clutch and pull on rope at a walking speed. If rope "birdnests", loosen jam nut (item #22) and turn nylon setscrew (item #17) clockwise to increase drag on drum. If rope pull is excessive, loosen nylon setscrew by turning counterclockwise. Tighten jam nut when proper setting is obtained.

**CAUTION:** OVER-TIGHTENING OF JAM NUT MAY STRIP NYLON SETSCREW.





## MAINTENANCE

1. Inspect the rope for damage and lubricate frequently. If the rope becomes frayed with broken strands, replace immediately.
2. Check that the clutch is fully engaging. See OPERATION instructions, above, for the appropriate clutch shifter. FOR MANUAL CLUTCH ONLY: Monthly, disengage clutch, put several drops of oil on the clutch handle shaft and work clutch handle IN and OUT several times to lubricate inside the shifter assembly.
3. Check to see that the drum rope does not overrun ("birdnest") when freespooling. Refer to page 4 if it does.
4. Replace drum bushings and seals if seals begin to seep grease. Refer to the Overhaul Instructions, pages 8-10. Add additional lubricant, Mobilith SHC 007, to gears and drum bearings if required.

## OPERATION

The best way to get acquainted with how your winch operates is to make test runs before you actually use it. Plan your test in advance. Remember, you hear your winch as well as see it operate. Get to recognize the sounds of a light steady pull, a heavy pull, and sounds caused by load jerking or shifting. Avoid conditions where load shifts or jerks occur, as they may indicate a dangerous situation.

The uneven spooling of rope, while pulling the load, is not a problem, unless there is a rope pileup on one end of the drum. If this happens, reverse the winch to relieve the load, and move your anchor point further to the center of the vehicle. After the job is done you can unspool and rewind for a neat lay of the rope.

When pulling a heavy load, place a blanket, jacket, and tarpaulin over the rope about five or six feet behind the hook. In the event of a broken rope, this will slow the snap back of the rope and could prevent serious injury.

The winch clutch allows rapid unspooling of the rope, from the rope drum, for hooking onto the load. The clutch is operated by the clutch shifter lever or air shifter.

### **WARNING: DO NOT DISENGAGE CLUTCH UNDER LOAD!**

**MANUAL CLUTCH SHIFTER** (Refer to dimensional drawing page 11):

TO DISENGAGE CLUTCH: Run the winch in the reverse (reel out) direction until the load is off the rope. Pull handle out and rotate 90°. With handle in the "DISENGAGED" position, rope may now be free-spoiled from the drum.

TO ENGAGE CLUTCH: Pull handle out, rotate 90° and release handle. Run the winch in reverse until the clutch handle snaps fully into the "ENGAGED" position. **DO NOT** attempt to pull a load unless the handle is fully at the "ENGAGED" position. If manual shift indicator light is present, the green light is lit when clutch is fully "ENGAGED". **DO NOT** attempt to pull a load unless the green light is lit. To install light to the vehicle electrical system refer to the Electrical Schematic on page 12.

**AIR CYLINDER CLUTCH SHIFTER** (Refer to the dimensional drawing page 12):

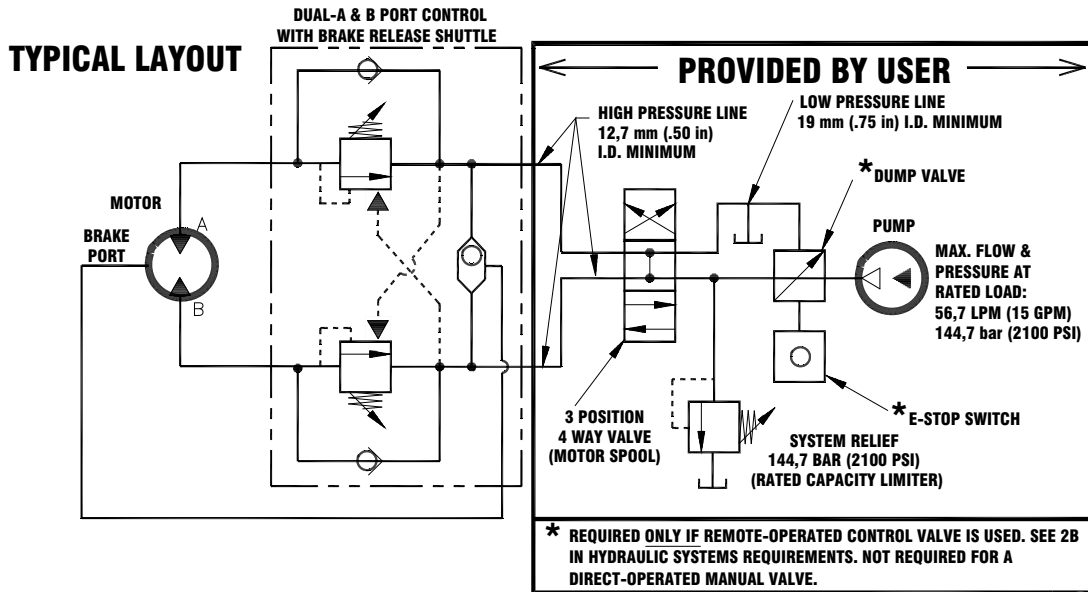
TO DISENGAGE CLUTCH: Run the winch in the reverse (reel out) direction until load is off the rope. Apply air pressure to the .125-27 NPT port: 5,5 bar (80 PSI) (min.)- 10,3 bar (150 PSI) (max.). **CAUTION: PRESSURE MUST NOT EXCEED 10,3 bar (150 PSI).**

TO ENGAGE CLUTCH: Remove air pressure from the cylinder (a return spring engages the plunger). Run winch in reverse until the clutch engagement indicator light (green light) is lit. To install light to the vehicle electrical system refer to the Electrical Schematic on page 12.

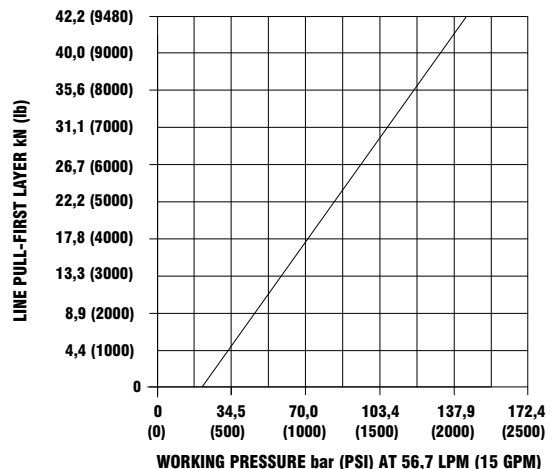
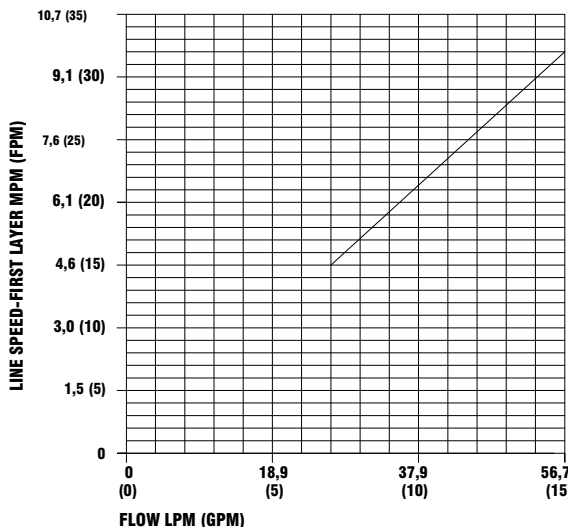
Refer to the performance charts below to properly match your hydraulic system to the winch performance. The charts consist of: (1) Line Pull first layer kN (lb) vs. Working Pressure bar (PSI). (2) Line Speed, first layer MPM (FPM) vs. flow LPM.

**HYDRAULIC SYSTEM REQUIREMENTS**

1. Motor spool (open center) control valve
2. Emergency Stop:
  - A. If winch is controlled by a direct-operated manual valve, that valve serves as the E-stop.
  - B. If a remote operated control valve is used, a solenoid-operated hydraulic dump valve, normally open to tank, and an emergency stop switch (to open the dump valve) is required. The E-stop switch is to be normally closed and have a red, resettable push button actuator with a yellow background. The E-stop switch must be easily accessible to the operator.
3. Relief valve set to 144,7 bar (2100 psi) which is the rated capacity limiter.
4. Flow rate of 56,7 LPM (15 GPM) maximum. Do not exceed 75,7 LPM (20 GPM) or motor and winch may be damaged.
5. Hydraulic fluid with a viscosity between 20-43 cSt (100-200 SUS). Maximum operating temperature 85C (180F). Cleanliness level of ISO 17-14 or better.



**PERFORMANCE CHARTS**



BASED ON 408 cc (24.9 cu in) MOTOR



## TROUBLESHOOTING GUIDE

CONDITIONS	POSSIBLE CAUSE	CORRECTION/ACTION
DRUM WILL NOT ROTATE AT NO LOAD	Winch not mounted squarely, causing end bearing to bind up	Check mounting. Refer to Winch Mounting, page 4.
	Gears damaged	Inspect and replace damaged gears
DRUM WILL NOT ROTATE UNDER LOAD	Winch not mounted squarely, causing end bearing to bind up	Check mounting. Refer to Winch Mounting, page 4.
	Load greater than rated capacity of winch	Refer to Specifications page 3 for line pull rating.
	Low hydraulic system pressure	Check pressure. Refer to Hydraulic Systems performance charts page 6.
WINCH RUNS TOO SLOW	Low hydraulic system flow rate	Check flow rate. Refer to System Requirements and Typical Layout page 6.
	Motor worn out	Replace motor
DRUM WILL NOT FREESPOOL	Clutch not disengaged. Check Adjustment of Manual Shifter, page 9.	Check Operation, page 5.
	Winch not mounted squarely, causing end bearing to bind up	Check mounting. Refer to Winch Mounting, page 4.
	Side mounted bolts too long, causing binding of ring gear (Item #15, page 14).	Check bolt length. Bolt thread MUST NOT engage threaded holes in sides of end bearing more than between 12,7 mm (.50 in) and 17,5 mm (.68 in) thread depth in the end bearing.
BRAKE WILL NOT HOLD	Incorrect directional control valve (cylinder spool-closed center)	Use only a motor spool (open center) control valve.
LOAD DRIFTS	Excessive Backpressure 6,9 bar (100 PSI) Max.	Check for restrictions in hydraulic system. Refer to System Requirements and Typical Layout page 6.
ROPE BIRDNESTS WHEN CLUTCH IS DISENGAGED	Drag screw improperly adjusted	Adjust nylon drag screw. Refer to Rope Installation, page 4.
EXCESSIVE NOISE	Hydraulic system flow too high	Check flow rate. Refer to Typical Layout page 6.
	Drum in bind, winch not mounted squarely	Check mounting. Refer to Winch Mounting, page 4.
DRUM CHATTERS IN "REEL IN" DIRECTION	Low hydraulic system flow rate	Check flow rate. Refer to Typical Layout page 6.
	Low hydraulic system relief pressure setting	Check relief valve setting.
OIL LEAKS FROM BREATHER VENT UNDER MOTOR END BEARING	Damaged brake o-rings, backup rings, or sealing surfaces	Disassemble brake and inspect. See Overhaul Instructions, pg. 8.

## END OF SERVICE MEASURES

When winch reaches the end of its serviceable life, dispose of per local environmental regulations.

## INSTRUCTIONS FOR OVERHAUL RPH 42,2 SERIES WINCH

**Take note of mounting configurations for proper mounting of parts during re-assembly. Replace all gaskets, o-rings, and seals during re-assembly.**

Disconnect tube (item #44) from elbows (item #24) on bottom of brake (item #6) and valve (item #45). Remove motor (item #31) from brake housing (item #6) by unscrewing capscrews (item #15). Tap motor lightly to disengage. Replace all gaskets, o-rings and seals with new ones during re-assembly.

Remove coupling (item #23) from brake housing. Examine coupling for signs of wear, replace if necessary. If necessary, remove valve (item #45) from motor by removing capscrews (item #18) and lockwashers (item #49). If valve is removed make sure two square cross section o-rings remain seated in their counter bores in valve.

Remove brake housing (item #6) from end bearing (item #4) by unscrewing (6) capscrews (item #14) in a criss-cross pattern (2 turns each) until all capscrews are removed from brake housing. Remove brake parts from brake housing. Examine brake discs (item #26) for signs of wear, and replace if necessary. Examine o-rings (items #34 & #35) and backup rings (items #36 & #37) for signs of wear. Remove o-rings and backup rings from grooves in brake piston (item #3).

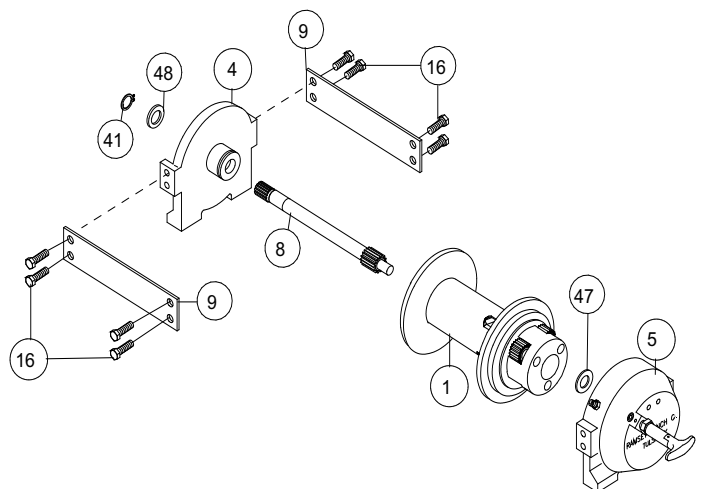
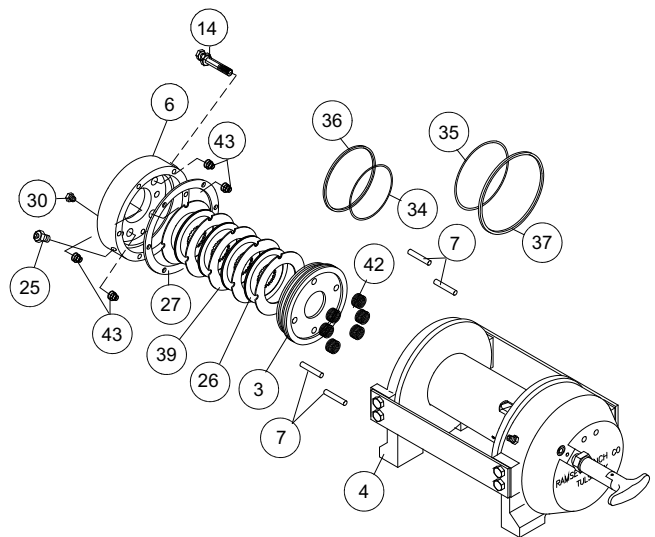
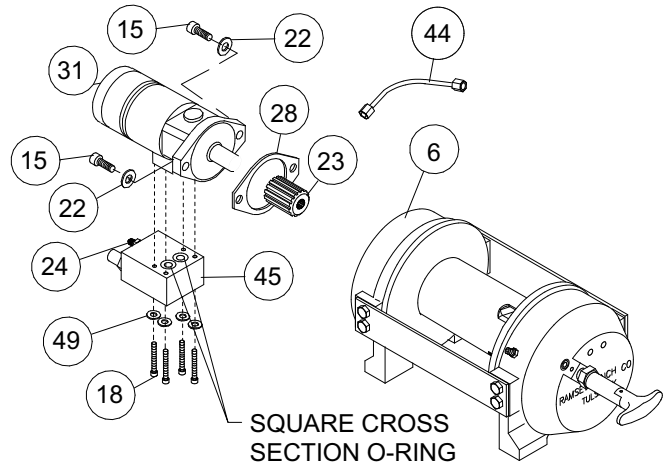
Remove and examine springs (items #42 & #43) for damage, replace if necessary.

Examine fitting (item #30) to assure that fittings are in proper working condition, replace if necessary.

Remove tie plates (item #9) from end bearings (items #4 & #5) by unscrewing capscrews (item #16), as shown.

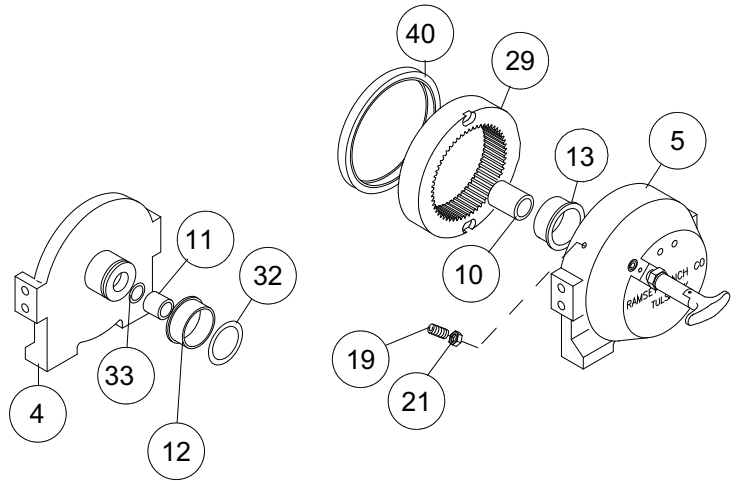
Remove snap ring (item #41) and thrust washer (item #48) from shaft. Slide motor end bearing (item #4) from drum (item #1) and drum from gear housing end bearing (item #5).

Remove input shaft (item #8) and thrust washer (item #47) from end bearing. Inspect gear teeth and splined end of shaft for signs of wear. If damaged, it will be necessary to replace shaft.



Remove o-ring (item #32), bushing (item #12) from outside of motor end bearing (item #4), remove o-ring (item #33), bearing (item #11) from inside of motor end bearing (item #4). Place new, well oiled, o-ring (item #33) into groove inside of end bearing and press new bearing (item #11) into end bearing. Press bushing (item #12) onto end bearing and dip o-ring (item #32) in oil and seat into groove of end bearing.

Remove seal (item #40) from gear housing end bearing (item #5). Loosen nut (item #21) and remove nylon setscrew (item #18) and remove ring gear (item #29) from gear housing end bearing, if necessary. Remove bushing (item #13) and bearing (item #10) from gear housing end bearing (item #5). Press new bushing (item #13) and bearing (item #10) into place in end bearing. Install ring gear and nylon setscrew and nut. Ring gear must be fully seated in gear housing end bearing (item #5) and slot in ring gear must NOT be aligned with clutch shifter hole. Install new seal in gear housing end bearing, with sharp edge of seal outward.



Generously apply grease (MOBILITH SHC 007) to teeth of ring gear (item #29), teeth of planet gears in drum (item #1) and to bushing in gear housing end bearing (item #5). Apply a small amount of grease to base of bushing on motor end bearing (item #4). Apply grease to teeth of gear and short end of shaft (item #8). Place gear end of shaft through thrust washer (item #47) and into bearing in end bearing (item #5). Place drum over shaft and rotate drum to engage planet gears with output gear on shaft and with ring gear in end bearing.

Assemble end bearing (item #4) to drum assembly and use tie plates (item #9) and capscrews (item #16) to hold both end bearings together. Tighten capscrews to 75 Nm (55 ft-lb). Slide thrust washer (item #48) over end of shaft and against end bearing (item #4). Place snap ring (item #41) into groove in splined end of shaft.

If necessary, remove and replace appropriate shifter assembly (item #2 or #3), as follows:

### MANUAL CLUTCH SHIFTER ASSEMBLY

Loosen setscrew (item #19) and jam nut, then unscrew manual shifter assembly (item #2). Be sure slot in ring gear is not aligned with clutch shifter hole. Rotate drum, if necessary, to ensure hole and slot are not aligned.

Reinstall shifter assembly with plunger, jam nut, and handle positioned in gear housing as shown below. Thread assembly (with handle engaged in cylinder slot) into the gear housing. Pull drum toward the gear end bearing housing to remove play. Hold drum in position and continue threading the shifter assembly in until the gap between the end of the handle and cylinder is

$11,1^{+0} - 1,6$  mm ( $7/16^{+0} - 1/16$  in) and handle is in the horizontal position (see below). **Note:** This gap will vary with drum endplay. With the drum pulled against the motor end housing, the gap should be 10 mm (.38 in).

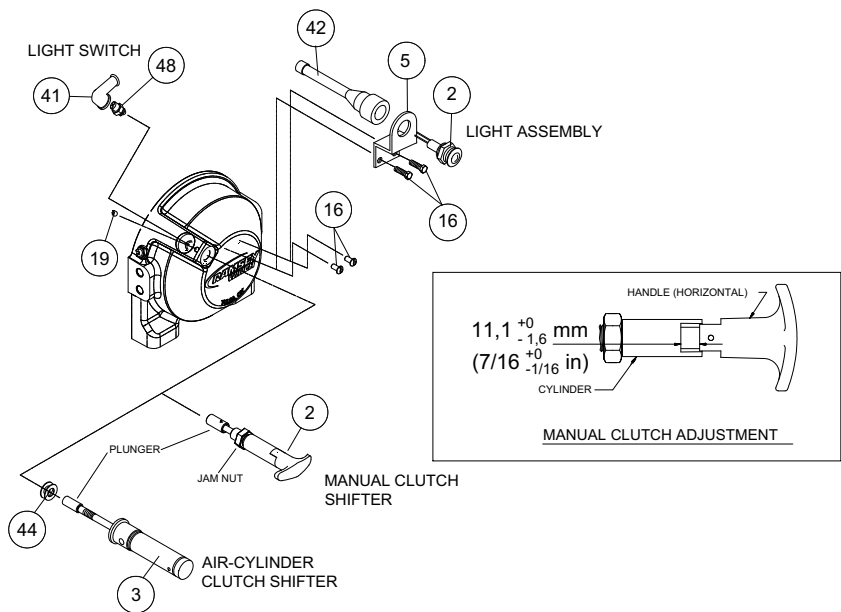
Lightly tighten jam nut. Rotate drum until handle snaps fully into the engaged position. Pull handle out and rotate 90°. Verify that drum can be rotated freely (at least one full revolution) with clutch shifter at the DISENGAGED position.

Securely tighten jam nut while holding the handle. Tighten setscrew (item #19) securely. Re-check clutch operation as described on page 5.

### AIR CYLINDER SHIFTER ASSEMBLY

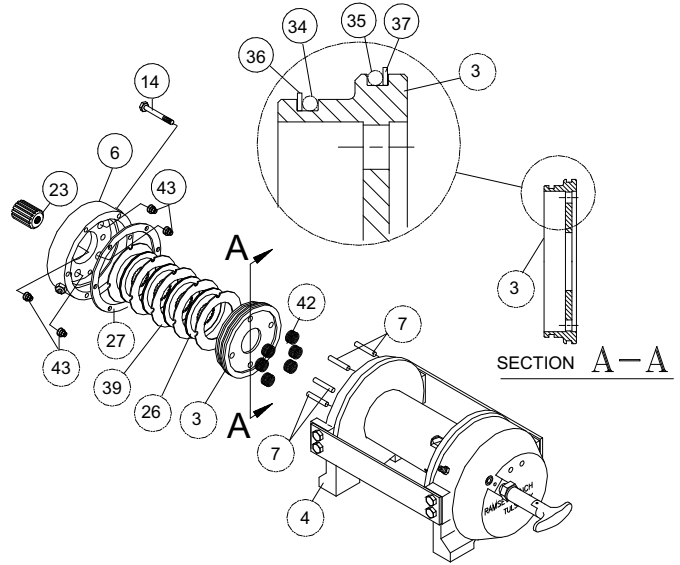
Loosen set screw (item #19) to remove shifter assembly (item #3). To reinstall, place 1 or 2 shims (items #44) over plunger and thread shifter assembly into gear end housing. Add or remove shims to orient ports for pneumatic connections. Ports should point down (below horizontal). Tighten setscrew. Check for clutch operation as described on page 5.

If the light assembly (item #2) or light switch (item #48) needs to be replaced, refer to the schematic on page 12 for electrical connections and disassemble and reassemble as shown.



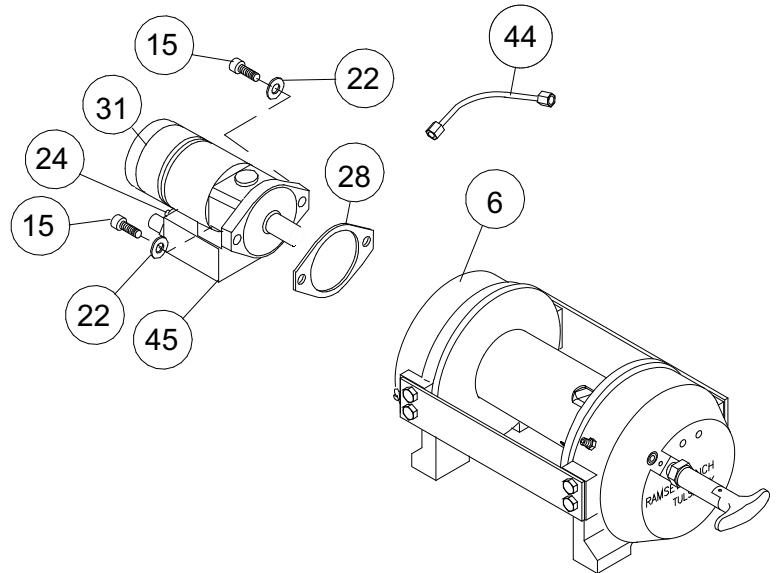
Set winch on gear housing end with motor end bearing (item #4) up. Insert (6) springs (item #42) into pockets of motor end bearing (item #4), as shown, leaving top and bottom pockets empty. Install coupling (item #23) over splined end of shaft (item #8). Put (4) brake pins (item #7) into (4) holes in motor end bearing. Install well-oiled o-rings (items #34 & #35) and backup rings (items #36 & #37) into grooves in O.D. of piston (item #3). Place o-rings into portions of grooves nearest to center of piston in both cases. See SECTION A-A below.

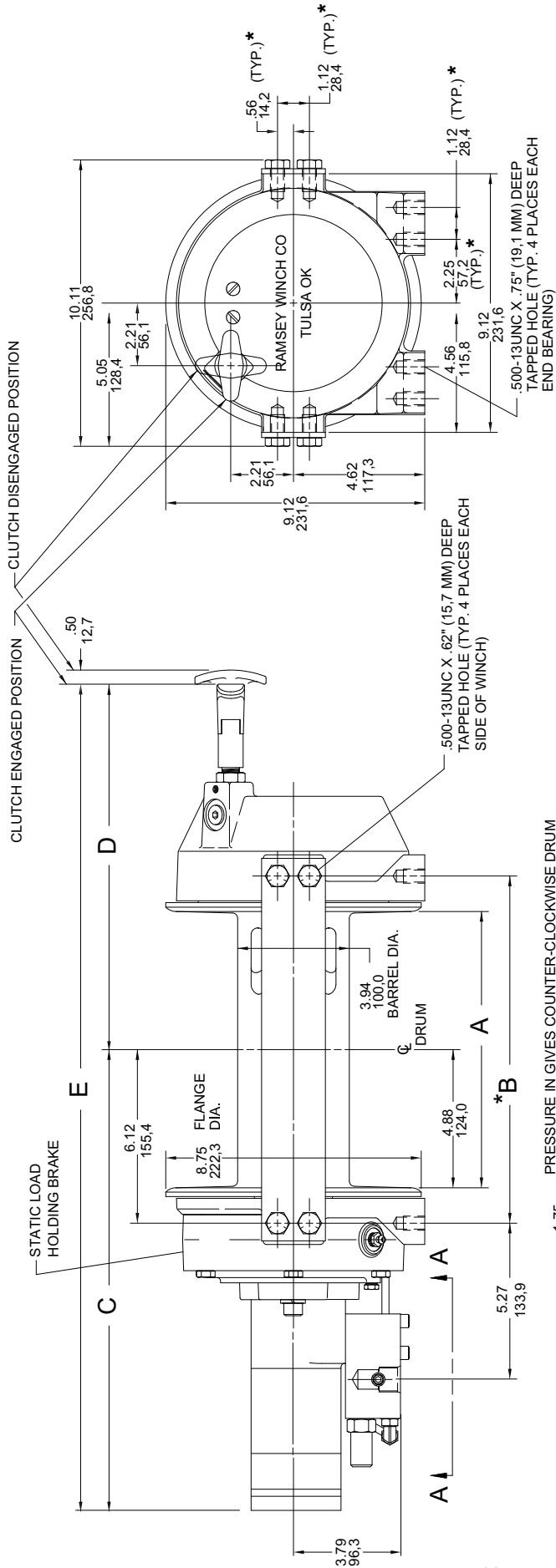
Piston (item #3), brake disc (item #26) and separator plates (item #39) must be clean and free of grease and oil. Place piston over pins (item #7) and on top of springs (item #42). Place separator plates (item #39) and brake disc alternately on top of piston, as shown below. Press larger diameter end of (4) springs (item #43) into pockets in brake housing (item #6). Place gasket (item #27) on top of end bearing (item #4). Place brake housing over brake parts with fitting ports downward toward mounting feet. Align mounting holes and force brake housing down onto end bearing (item #4). Apply 271 Loc-tite to 6 capscrews (item #14) and finger tighten until flush with surface of brake housing. Torque capscrews (2 turns each) in a criss-cross pattern until a torque of 41 Nm (30 ft-lb) per capscrew, is achieved.



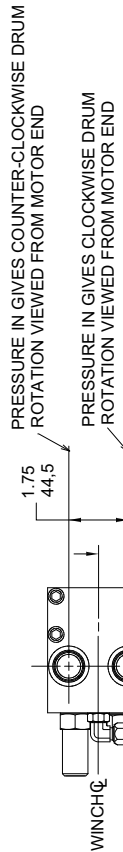
Place gasket (item #28) into position on mounting surface of motor (item #31). Slide motor shaft into coupling and attach motor to brake housing (item #6). Use (2) capscrews (item #15) with lockwashers (item #22) and torque to 118 Nm (87 ft-lb) each. Securely connect tube (item #44) to elbows (item #24) in valve (item #45) and in bottom of brake housing (item #6).

Apply at least 37,9 bar (550 PSI) hydraulic system pressure to release brake and verify that brake releases, by observing that the winch drum rotates.





- NOTES:**
1. DIMENSIONS SHOWN ARE INCHES OVER MILLIMETERS.
  2. WINCH MOUNTING CAPSCREWS MUST MEET OR EXCEED SAE GRADE 5 SPECIFICATION.
  - \* 3. THESE HOLE LOCATIONS MUST BE HELD WITHIN  $\pm 0.8$  mm (.03 in) OF TRUE POSITION. RECOMMENDED MOUNTING HOLE DIAMETER IS 13.5 mm (.53 in).
  4. "A" ROTATION SHOWN.

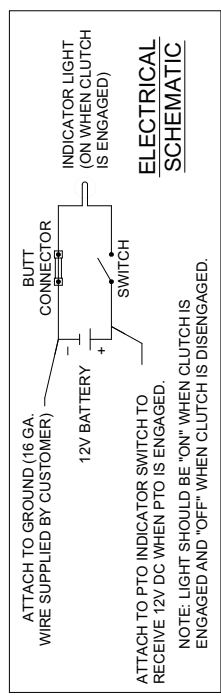
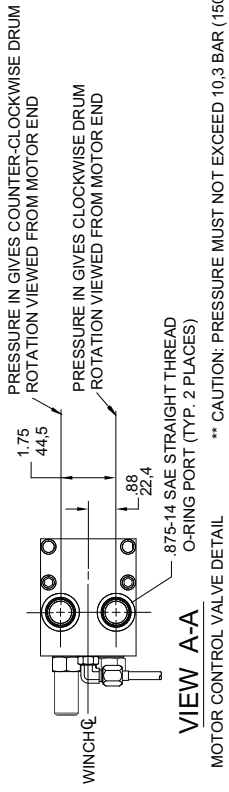
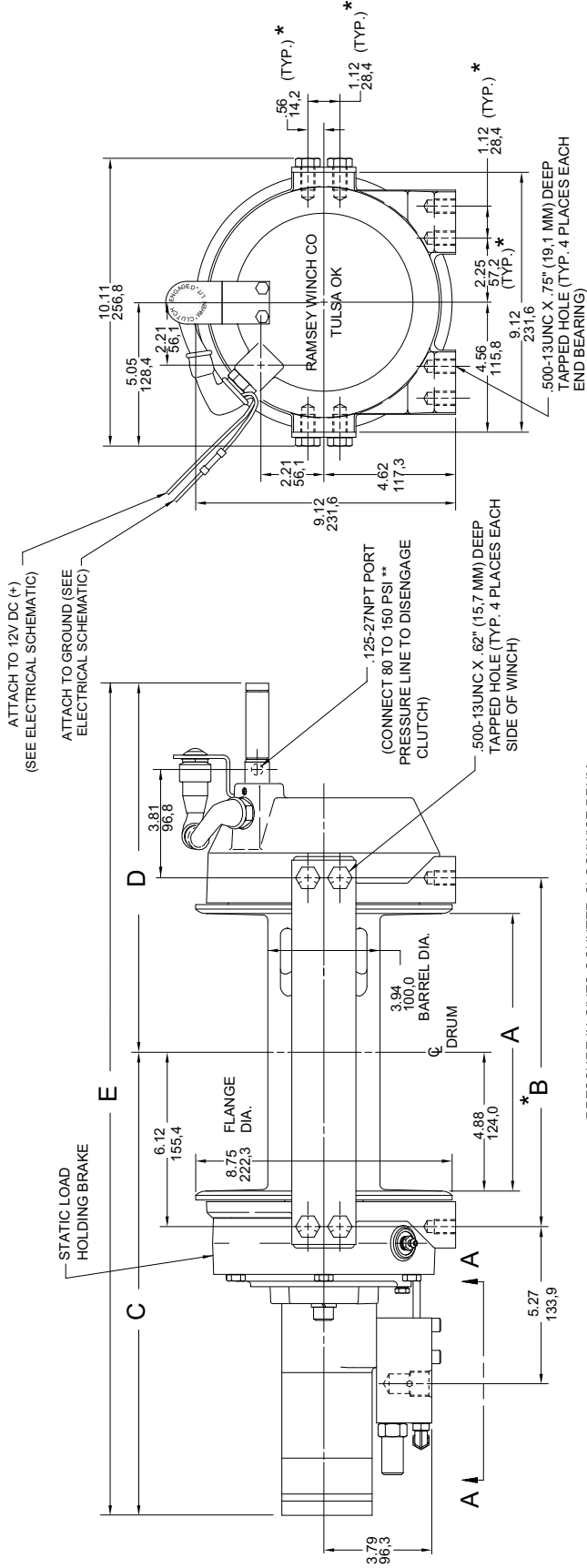


**VIEW A-A**  
MOTOR CONTROL VALVE DETAIL

WINCH MODEL	A	B	C	D	E
	in	in	in	in	in
	mm	mm	mm	mm	mm
RPH 42.2 STD. DRUM	9.75	12.25	15.69	13.28	28.58
	247.7	311.2	395.5	337.4	725.9
RPH 42.2 "Y" DRUM	6.50	9.00	14.07	11.66	25.33
	165.1	228.6	357.3	296.2	643.4

# MODEL RPH 42,2

## WITH MANUAL CLUTCH SHIFTER

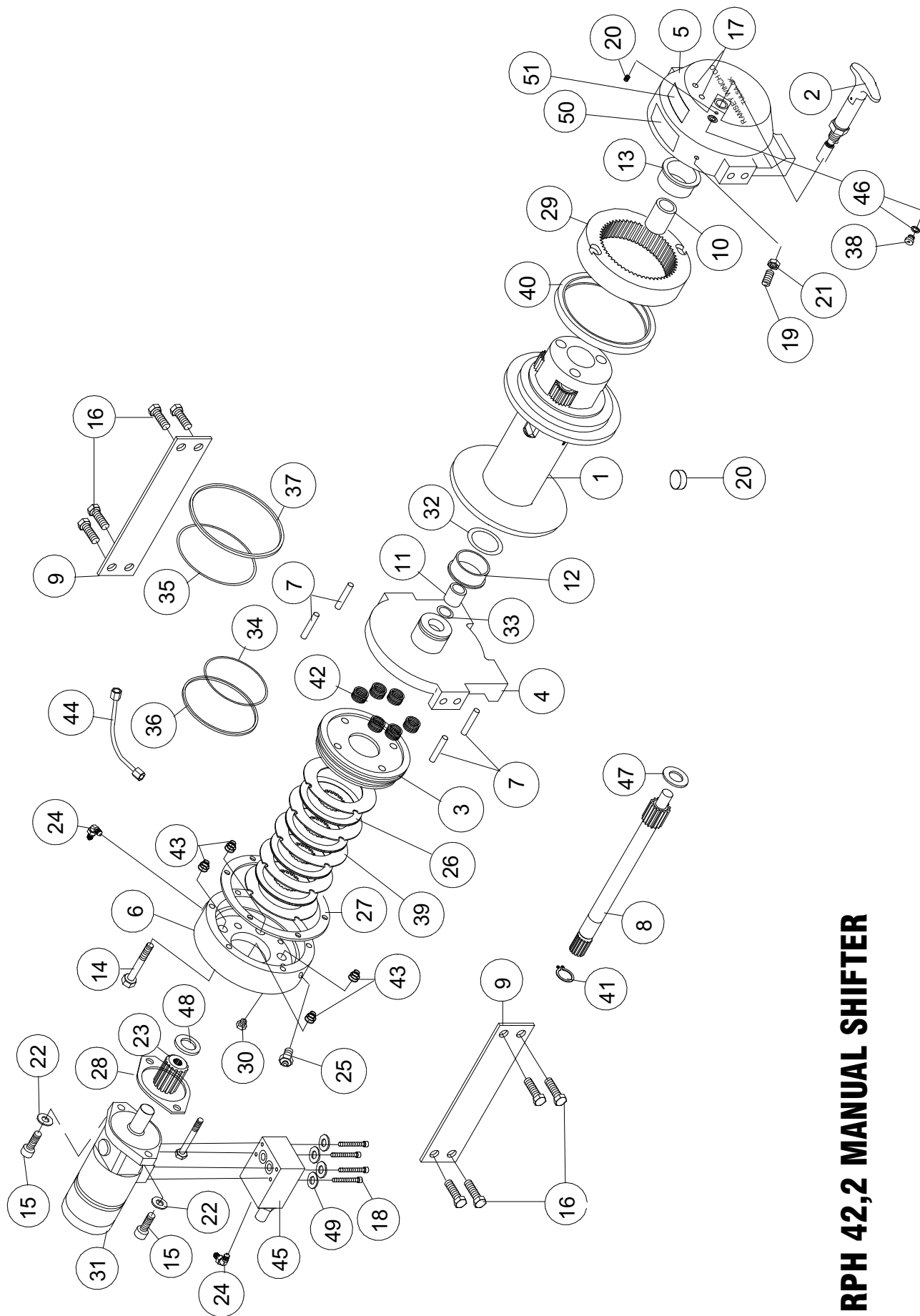


- NOTES:**
1. DIMENSIONS SHOWN ARE INCHES OVER MILLIMETERS.
  2. WINCH MOUNTING CAPSCREWS MUST MEET OR EXCEED SAE GRADE 5 SPECIFICATION.
  - \* 3. THESE HOLE LOCATIONS MUST BE HELD WITHIN  $\pm 0.8$  mm ( $.03$  in) OF TRUE POSITION. RECOMMENDED MOUNTING HOLE DIAMETER IS 13.5 mm (.53 in).
  4. "A" ROTATION SHOWN.

WINCH MODEL	A in mm	B in mm	C in mm	D in mm	E in mm
RPH 42,2	9.75 247,7	12.25 311,2	15.69 395,5	13.28 337,4	28.58 725,9
STD. DRUM					
RPH 42,2 "Y" DRUM	6.50 165,1	9.00 228,6	14.07 357,3	11.66 296,2	25.33 643,4

# MODEL RPH 42,2

WITH AIR CYLINDER CLUTCH SHIFTER

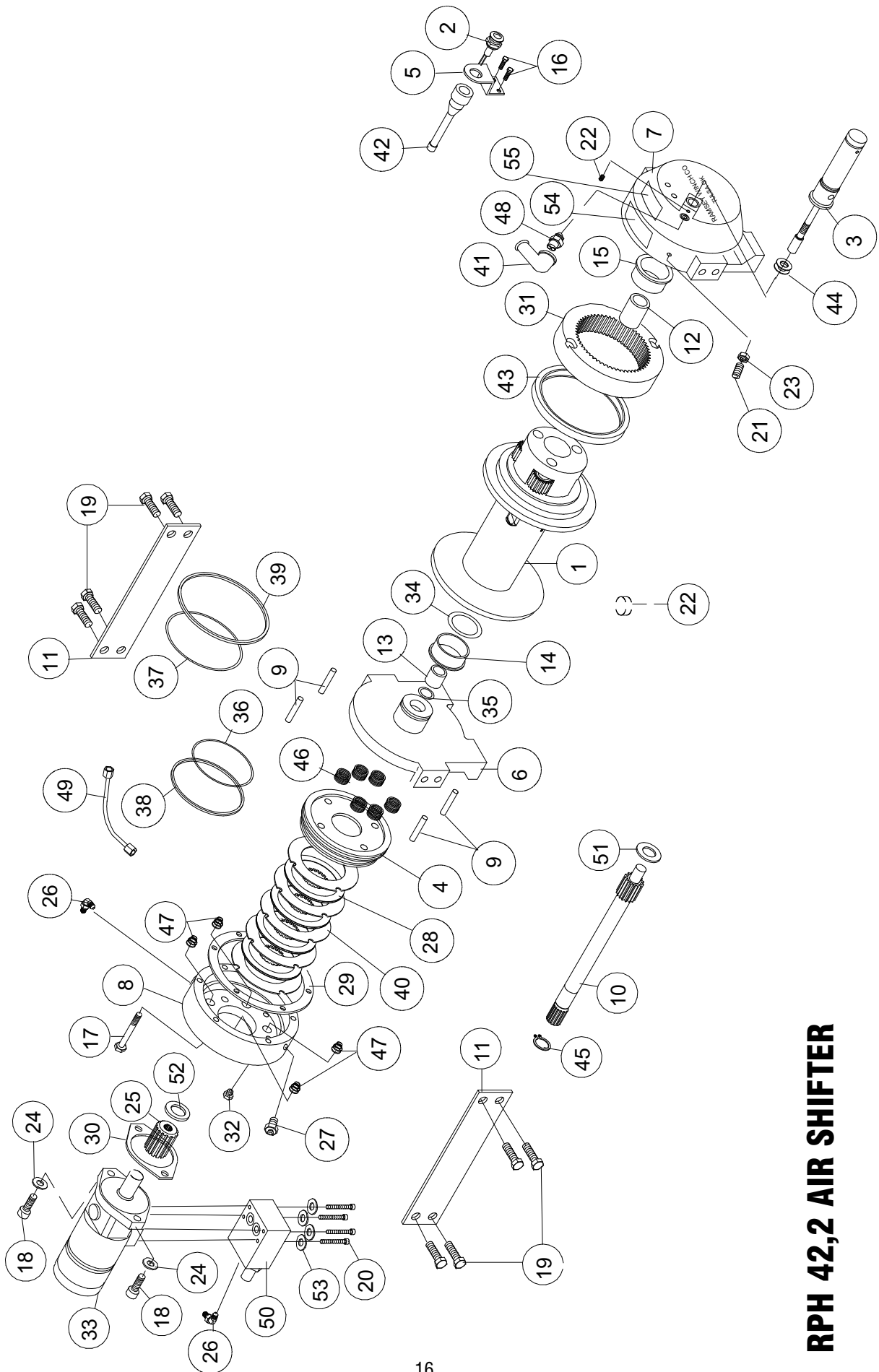


## RP42,2 MANUAL SHIFTER

## PARTS LIST RPH 42,2 WITH MANUAL CLUTCH SHIFTER

ITEM	QTY.	PART NO.	DESCRIPTION
1	1	234229	DRUM ASS'Y. STD.
	1	234230	DRUM ASS'Y "Y"
2	1	276052	SHIFTER ASS'Y.-MANUAL
3	1	306042	PISTON-BRAKE
4	1	338300	END BEARING-MOTOR
5	1	338301	END BEARING-GEAR HOUSING
6	1	338302	HOUSING-BRAKE
7	4	346045	PIN-BRAKE
8	1	357504	SHAFT-INPUT/SUN GEAR STD.
	1	357536	SHAFT-INPUT/SUN GEAR "Y"
9	2	395427	TIE PLATE STD.
	2	395426	TIE PLATE "Y"
10	1	402120	BEARING-GEAR HSG.
11	1	402121	BEARING-MTR. END BEARING
12	1	412084	BUSHING-DRUM (MTR. END)
13	1	412085	BUSHING-DRUM (G.HSG. END)
14	6	414303	CAPSCREW-3/8-16NC X 2-1/2 LG. HX.HD., GR. 5 PLTD.
15	2	414952	CAPSCREW 1/2-13NC X 1-1/2 LG. SOC.HD.
16	8	414581	CAPSCREW 1/2-13NC X 3/4 LG. HX.HD. GR.5 PLTD.
17	2	414854	CAPSCREW 1/4-20NC X 1/2 LG. RD.HD. SLOT PLTD.
18	4	414159	CAPSCREW 5/16-18NC X 1-1/2 LG. HX HD. GR5 Z/P
	4	414147	CAPSCREW 5/16-18NC X 3-1/2 LG. HX HD. GR5 Z/P (SIDE PORTS)
19	1	414926	SETSCREW-3/8-16NC X 1 LG., SOCKET, NYLON
20	1	315008	ROPE ANCHOR
21	1	418036	NUT 3/8-16NC HEX. JAM
22	2	418218	LOCKWASHER-1/2 ID MED. SECT.
23	1	431015	COUPLING-MOTOR
24	2	432018	FITTING-7/16 ELBOW
25			NOT USED
26	4	438022	DISC-BRAKE
27	1	442220	GASKET-BRAKE
28	1	442223	GASKET-MOTOR
29	1	444085	GEAR-RING
30	1	456038	FITTING-VENT
31	1	458079	MOTOR-HYDRAULIC
32	1	462046	O-RING (DRUM)
33	1	462056	O-RING
34	1	462057	O-RING
35	1	462058	O-RING
36	1	462059	O-RING BACKUP
37	1	462060	O-RING BACKUP
38	1	472052	PLUG
39	5	474111	PLATE-SEPARATOR
40	1	486080	SEAL-GEAR HSG.
41	1	490037	SNAP RING
42	6	494110	SPRING-BRAKE
43	4	494112	SPRING
44	1	509143	TUBE ASSEMBLY - PORTS UP
	1	509144	TUBE ASSEMBLY - SIDE PORTS
45	1	516051	VALVE-MOTOR CONTROL (A ROTATION)
	1	516052	VALVE-MOTOR CONTROL (B ROTATION)
	1	516053	VALVE-MOTOR CONTROL (A ROTATION/SIDE PORTS)
46	1	518037	THRUST WASHER
47	1	518047	THRUST WASHER
48	1	518052	THRUST WASHER
49	4	418163	LOCKWASHER - 5/16 MED SECT Z/P
50	1	434570	NAME TAG
51	1	434235	TAG-A ROTATION
	1	434236	TAG-B ROTATION





**RPH 42,2 AIR SHIFTER**

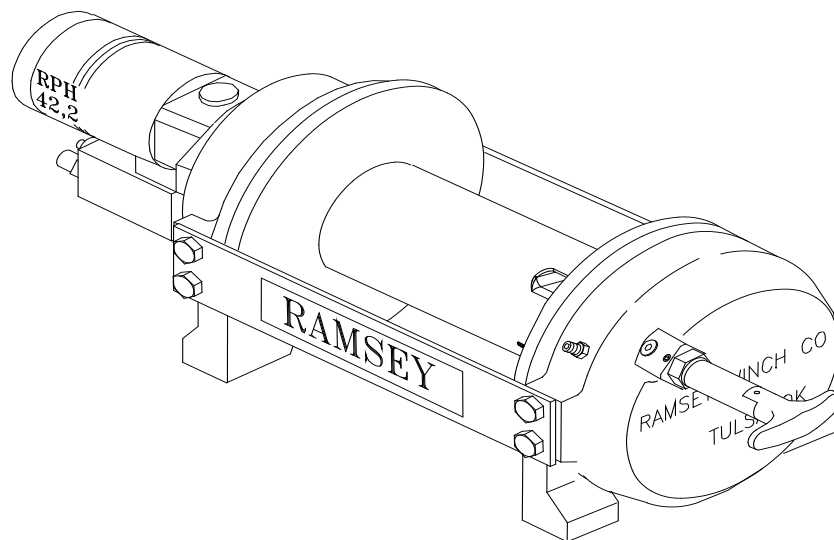
## PARTS LIST RPH 42,2 WITH AIR-CYLINDER CLUTCH SHIFTER

ITEM	QTY.	PART NO.	DESCRIPTION
1	1	234229	DRUM ASS'Y. STD.
	1	234230	DRUM ASS'Y "Y"
2	1	236020	LIGHT ASSEMBLY
3	1	276053	SHIFTER ASS'Y.-AIR CYLINDER
4	1	306042	PISTON-BRAKE
5	1	312529	BRACKET-LIGHT
6	1	338300	END BEARING-MOTOR
7	1	338301	END BEARING-GEAR HOUSING
8	1	338302	HOUSING-BRAKE
9	4	346045	PIN-BRAKE
10	1	357504	SHAFT-INPUT/SUN GEAR STD.
	1	357536	SHAFT-INPUT/SUN GEAR "Y"
11	2	395427	TIE PLATE STD.
	2	395426	TIE PLATE "Y"
12	1	402120	BEARING-GEAR HSG.
13	1	402121	BEARING-MTR. END BEARING
14	1	412084	BUSHING-DRUM (MTR. END)
15	1	412085	BUSHING-DRUM (G.HSG. END)
16	2	414036	CAPSCREW 1/4-20NC X 1/2 LG.
17	6	414303	CAPSCREW 3/8-16NC X 2-1/2 LG. HX.HD., GR. 5 PLTD.
18	2	414952	CAPSCREW 1/2-13NC X 1-1/2 LG. SOC.HD.
19	8	414581	CAPSCREW 1/2-13NC X 3/4 LG. HX.HD. GR.5 PLTD.
20	4	414159	CAPSCREW 5/16-18NC X 1-1/2 LG. HX. HD. GR 5 Z/P
	4	414147	CAPSCREW 5/16-18NC X 3-1/2 LG. HX. HD. GR 5 Z/P (SIDE PORTS)
21	1	414926	SETSCREW-3/8-16NC X 1 LG., SOCKET, NYLON
22	1	315008	ROPE ANCHOR
23	1	418036	NUT 3/8-16NC HEX. JAM
24	2	418218	LOCKWASHER-1/2 ID MED. SECT.
25	1	431015	COUPLING-MOTOR
26	2	432018	FITTING-7/16 ELBOW
27			NOT USED
28	4	438022	DISC-BRAKE
29	1	442220	GASKET-BRAKE
30	1	442223	GASKET-MOTOR
31	1	444085	GEAR-RING
32	1	456038	FITTING-VENT
33	1	458079	MOTOR-HYDRAULIC
34	1	462046	O-RING (DRUM)
35	1	462056	O-RING
36	1	462057	O-RING
37	1	462058	O-RING
38	1	462059	O-RING BACKUP
39	1	462060	O-RING BACKUP
40	5	474111	PLATE-SEPARATOR
41	1	482013	BOOT
42	1	482045	BOOT
43	1	486080	SEAL-GEAR HSG.
44	2	488007	SHIM
45	1	490037	SNAP RING
46	6	494110	SPRING-BRAKE
47	4	494112	SPRING
48	1	504021	SWITCH
49	1	509143	TUBE ASSEMBLY (PORTS UP)
	1	509144	TUBE ASSEMBLY (SIDE PORTS)
50	1	516051	VALVE-MOTOR CONTROL (A ROTATION)
	1	516052	VALVE-MOTOR CONTROL (B ROTATION)
	1	516053	VALVE-MOTOR CONTROL (A ROTATION/SIDE PORTS)
51	1	518047	THRUST WASHER
52	1	518052	THRUST WASHER
53	4	418163	LOCKWASHER - 5/16 MED SECT Z/P
54	1	434570	NAME TAG
55	1	434235	TAG-A ROTATION
	1	434236	TAG-B ROTATION



# MANUEL D'EXPLOITATION, DE DÉPANNAGE ET D'ENTRETIEN

English (Original Instructions) .....	1
Français (Traduction des instructions originales) ..	18
Deutsch (Übersetzung der Originalanleitung) .....	34
Español(Traducción de las instrucciones originales).	50



## TREUIL PLANETAIRE, MODELE RPH 42,2

UTILISATION PRÉVUE : TREUILLAGE - VÉHICULES ET CHARGES



MISE EN GARDE : ASSUREZ-VOUS DE LIRE ET DE COMPRENDRE CE MANUEL  
AVANT D'INSTALLER ET D'UTILISER LE TREUIL. LISEZ LES AVERTISSEMENTS !

### Ramsey Winch Company

P.O. Box 581510 - Tulsa, OK 74158-1510 É.-U  
Téléphone : (918) 438-2760 - Fax (918) 438-6688  
Nous visiter à <http://www.ramsey.com>

### Ramsey Représentant autorisé dans la communauté:

(Veuillez prendre contact uniquement pour des questions réglementaires.)

Alura Group BV  
P.O. Box 18626  
2502 EP The Hague  
The Netherlands  
Tel: (31) (0) 70 362-4896  
Fax: (31) (0) 70 346-7299

## TABLE DES MATIÈRES

INTRODUCTION .....	20
RESPONSABILITÉ DE L'UTILISATEUR POUR CONFORMITÉ AUX NORMES CE .....	20
CARACTÉRISTIQUES TECHNIQUES .....	20
AVERTISSEMENTS .....	20
FIXATION DU TREUIL .....	21
POSE DU CÂBLE .....	21
ENTRETIEN .....	22
FONCTIONNEMENT .....	22
CARACTÉRISTIQUES DU SYSTÈME HYDRAULIQUE .....	23
INSTALLATION TYPE .....	23
DIAGRAMMES DE PERFORMANCES .....	23
GUIDE DE DÉPANNAGE .....	24
FIN DE LA PROCÉDURE D'ENTRETIEN .....	25
INSTRUCTIONS DE RÉVISION .....	25-27
PLANS COTÉS .....	28-29
LISTE ET SCHÉMAS DES PIÈCES .....	30-33
DÉCLARATION DE CONFORMITÉ CE .....	34

## CARACTÉRISTIQUES TECHNIQUES\*

Traction du câble, première couche	42,2 kN (9480 lb)				
Niveau sonore	75 db				
Plage de température ambiante	-28 °C à 60 °C				
Démultiplication	5.1:1				
Poids (sans le câble)	TAMBOUR STD.	49,9 Kg (110 lb)			
	TAMBOUR « Y »	47,6 Kg (105 lb)			
COUCHE DE CÂBLE	1	2	3	4	
Traction du câble par couche	kN	42,2	35,2	30,2	26,4
	lb	9,480	7,900	6,700	5,900

\*Capacité du câble par couche

TAMBOUR STD	m	6	15	24	36
	pi	20	50	80	120
TAMBOUR « Y »	m	4	9	16	24
	pi	15	30	55	80
*Vitesse du câble à 56,7 l/min (15 g/min)	M/MIN	9,7	11,2	13,0	14,8
	PI/MIN	32	37	43	49
*Ces caractéristiques se fondent sur un câble en acier recommandé de 11 mm (0,433 po), calibre 1960, et sur un moteur de 408 cm <sup>3</sup> (24,9 po <sup>3</sup> )/tr.					

## POUR VOTRE SÉCURITÉ :

**LE PROPRIÉTAIRE DU TREUIL DOIT S'ASSURER QUE SON OPÉRATEUR REÇOIT LA FORMATION NÉCESSAIRE.**

**L'OPÉRATEUR DOIT TOUJOURS SUIVRE LES DIRECTIVES D'UTILISATION.**

**UN DISTRIBUTEUR À TIROIR CYLINDRIQUE DE MOTEUR (CENTRE OUVERT) EST OBLIGATOIRE POUR LE FONCTIONNEMENT DU FREIN.**

**L'EMBRAYAGE DOIT ÊTRE ENTIÈREMENT ENCLENCHÉ AVANT LA MISE EN SERVICE DU TREUIL.**

**NE JAMAIS RELÂCHER L'EMBRAYAGE EN PRÉSENCE D'UNE CHARGE.**

**NE JAMAIS SE PLACER SOUS UNE CHARGE SOULEVÉE NI À PROXIMITÉ.**

**RESTER À L'ÉCART DU CÂBLE LORS DU TREUILLAGE. NE PAS ESSAYER DE GUIDER LE CÂBLE.**

**NE PAS UTILISER LE TREUIL POUR SOULEVER, MAINTENIR OU TRANSPORTER DES PERSONNES.**

**IL CONVIENT DE GARDER AU MINIMUM 2 TOURS DE CÂBLE AUTOUR DU TAMBOUR POUR MAINTENIR LA CHARGE.**

**DANS LES APPLICATIONS DE TRANSPORT D'AUTOMOBILES, VEILLER À FIXER LE VÉHICULE SUR LE PORTE-VOITURES.**

**LA CHARGE IMPOSÉE AU CÂBLE DU TREUIL NE DOIT PAS ÊTRE MAINTENUE PENDANT LE TRANSPORT. NE PAS UTILISER LE TREUIL COMME DISPOSITIF D'ATTACHE.**

**ÉVITER TOUTE SITUATION DE GLISSEMENTS OU DE SACCADÉS DE LA CHARGE. LES À-COUPS EXCESSIFS DOIVENT ÊTRE ÉVITÉS.**

## RESPONSABILITÉ DE L'UTILISATEUR POUR CONFORMITÉ AUX NORMES CE

1. Utilisez uniquement un distributeur à tiroir cylindrique de moteur (centre ouvert) selon les caractéristiques du système hydraulique.
2. En cas d'utilisation d'un distributeur de treuil commandé à distance, consultez la rubrique Caractéristiques du système hydraulique pour déterminer les composants à installer pour le dispositif d'arrêt d'urgence.
3. Réglez la pression de décharge du système conformément aux instructions de la rubrique Caractéristiques du système hydraulique.
4. Montez le treuil conformément aux instructions de montage du treuil.
5. Installez un câble métallique de 11 mm (0,433 po), de classe de résistance 1960. Pour un tambour STD, la longueur de câble maximale est de 36 m (120 pieds) pour un enroulement de quatre couches maximum. Pour un tambour Y, la longueur de câble maximale est de 24 m (80 pieds) pour un enroulement de quatre couches maximum. Fixez le câble au tambour conformément aux instructions d'installation du câble. Le crochet doit être équipé d'un verrou de sécurité et doit avoir une résistance à la rupture minimale de 106 kN.

## FIXATION DU TREUIL

### INSTRUCTIONS DE MONTAGE ESSENTIELLES POUR MAINTENIR L'ALIGNEMENT DES ÉLÉMENTS DU TREUIL PLANÉTAIRE :

Ce treuil doit absolument être monté correctement afin que les trois principales parties soient alignées (l'extrémité du moteur, le tambour du câble et l'extrémité de la boîte d'engrenages). Une usure excessive des bagues et un déroulement « en roue libre » difficile témoignent normalement d'un mauvais alignement.

À des fins de conformité, s'il s'agit d'un montage de treuil intermédiaire, il convient de fixer au moins une plaque de serrage aux pieds de fixation au bas du treuil pour maintenir l'alignement. Si le treuil est installé sur pieds, au moins une plaque de serrage doit être placée au point intermédiaire pour maintenir l'alignement. Il est toujours préférable d'utiliser les DEUX plaques de serrage pour le montage définitif.

Il est conseillé d'utiliser le lot de montage sur cornières, Réf. 251006 (tambour STD) et Réf. 251007 (tambour « Y ») pour faciliter grandement le montage du treuil. Ce lot permet d'adapter le treuil aux installations verticales ou intermédiaires, et constitue une surface de montage droite et solide.

Si vous montez le treuil sans le lot de cornières Ramsey recommandé, il convient alors d'utiliser la configuration de perçage décrite dans les schémas cotés, pages 28-29. La surface de fixation doit être plane, à 0,38 mm (0,015 po) près, et suffisamment rigide pour ne pas fléchir. Si une plaque d'acier est employée pour l'installation sur pied, elle doit avoir 19 mm (0,75 po) d'épaisseur. Pour ce type de montage, vous aurez besoin de huit (8) vis d'assemblage 1/2-13 NC x 1,5 po de long, grade 5, avec leurs rondelles de sécurité. Ces vis devront être serrées à un couple de 115 Nm.

**REMARQUE :** Si des cornières ou une plaque d'acier sont utilisées pour l'installation du treuil, les plaques de serrage fournies doivent être fixées aux cales de montage restantes, qu'elles soient latérales ou inférieures.

## POSE DU CÂBLE

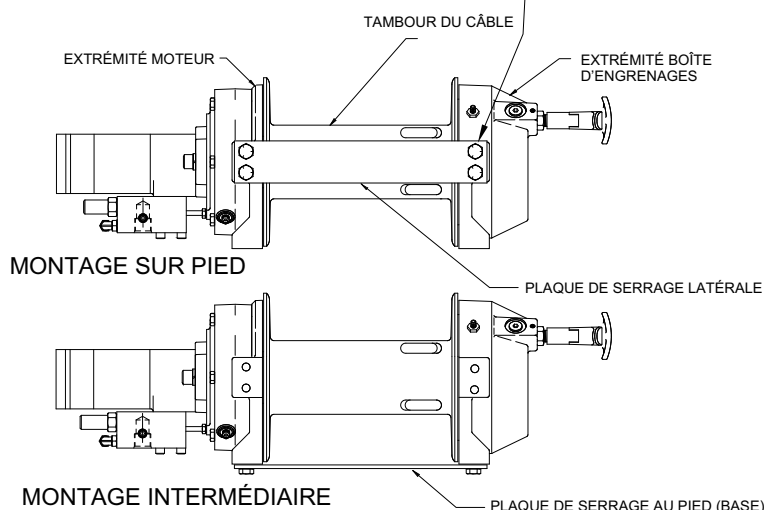
Un autocollant (A ou B) placé sur le dessus du palier d'extrémité de la boîte d'engrenages indique le sens de l'enroulement du câble. La lettre A ou B figure aussi sur le palier d'extrémité, côté embrayage, pour indiquer le sens de rotation. Si cet autocollant est détérioré ou illisible, contactez le service clientèle pour savoir comment déterminer le sens de rotation correct. **Pour inverser le sens de rotation, inverser les positions de la cartouche et du bouchon (représentées à la page 22).**

1. Déroulez le câble sur le sol pour éviter qu'il ne se torde. Recouvrez bien l'extrémité du câble opposée au crochet d'un ruban adhésif plastique ou de type équivalent pour éviter qu'il ne s'effiloche.
2. Insérez le câble dans la partie étroite du logement, contre la collerette du tambour. Enroulez le câble autour du galet d'ancrage (pièce n° 20), puis tirez câble et ancrage dans l'extrémité large du logement. Utilisez un marteau-caoutchouc pour acheminer l'arrière du câble, en le plaçant fermement avec l'ancrage dans le logement.
3. Faites tourner avec précaution le treuil dans le sens de l'enroulement. Conservez une tension sur l'extrémité du câble et enroulez tout le câble sur le tambour, en veillant à former des couches régulières.

Vérifiez le bon déroulement en roue libre après avoir posé le câble. Débrayez, puis tirez sur le câble en marchant. Si le câble se détend trop et forme des boucles autour du tambour, desserrez le contre-écrou (pièce n° 22) et tournez la vis Nylon (pièce n° 17) dans le sens des aiguilles d'une montre pour augmenter le frottement sur le tambour. S'il y a trop de résistance, desserrez la vis Nylon en la tournant dans le sens inverse des aiguilles d'une montre. Serrez le contre-écrou une fois le réglage correct obtenu.

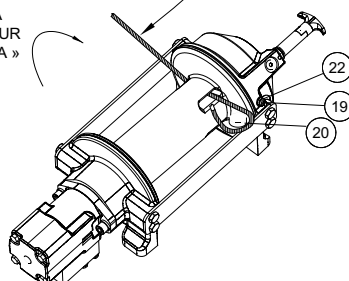
**MISE EN GARDE :** UN SERRAGE EXCESSIF DU CONTRE-ÉCROU POURRAIT FOIRER LA VIS DE PRESSON NYLON.

**MISE EN GARDE :** en cas d'utilisation de boulons plus longs (grade 5 minimum) pour la fixation du treuil ou d'un guide à galets au niveau des cales de fixation latérales, la longueur des boulons ne doit pas permettre un engagement des filets de moins de 14 mm dans les trous taraudés sur les côtés de chaque palier d'extrémité (cf. page 32). Des boulons trop longs endommageraient le treuil et empêcheraient le tambour de tourner librement. Serrez les boulons à un couple de 75 Nm.



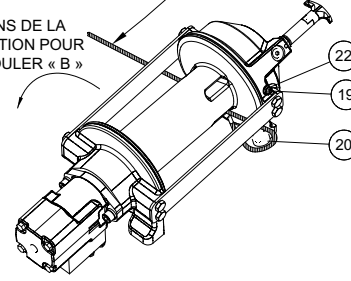
INSÉREZ LE CÂBLE COMME INDIQUÉ POUR L'ENROULEMENT PAR LE DESSUS, ROTATION « A ».

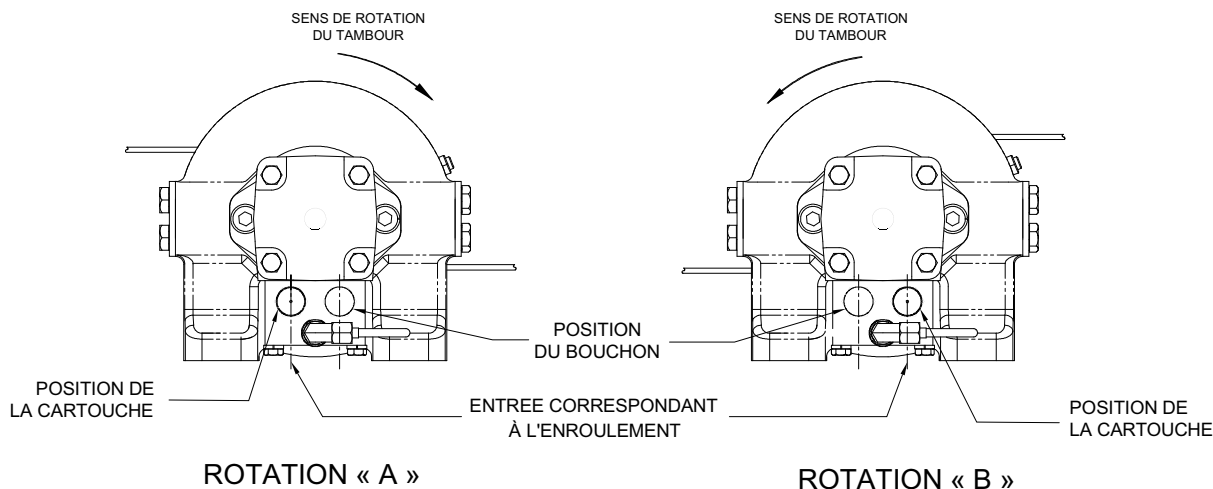
SENS DE LA ROTATION POUR ENROULER « A »



INSÉREZ LE CÂBLE COMME INDIQUÉ POUR L'ENROULEMENT PAR LE DESSOUS, ROTATION « B ».

SENS DE LA ROTATION POUR ENROULER « B »





## ENTRETIEN

1. Vérifiez le bon état du câble et lubrifiez-le fréquemment. Tout câble effiloché ou comportant des brins brisés doit être remplacé immédiatement.
2. Assurez-vous que l'embrayage est complètement enclenché. Reportez-vous aux instructions de la rubrique MODE D'EMPLOI, ci-dessous, pour le type d'embrayeur approprié. **POUR LES EMBRAYAGES MANUELS UNIQUEMENT** : Tous les mois, désenclenchez l'embrayage, placez plusieurs gouttes d'huile sur l'arbre de la poignée d'embrayage et manipulez plusieurs fois l'embrayage pour lubrifier l'intérieur.
3. Assurez-vous que le câble ne se chevauche pas (boucles) lors du déroulement libre. Si c'est le cas, reportez-vous à la page 21.
4. Remplacez les bagues du tambour ainsi que les joints lorsque ces derniers commencent à perdre de la graisse. Reportez-vous aux Instructions de révision, pages 25-27. Au besoin, ajoutez du lubrifiant, Mobilith SHC 007, aux engrenages et paliers du tambour.

## MODE D'EMPLOI

Pour vous familiariser avec votre treuil, il est vivement conseillé de l'essayer avant de vraiment l'utiliser. Préparez votre essai. N'oubliez pas que vous entendez votre treuil autant que vous le voyez fonctionner. Apprenez à reconnaître le son d'une traction légère et régulière, celui d'une lourde charge ou encore celui provoqué par des à-coups ou une déviation de la charge. Évitez tous risques de glissements de la charge ou d'à-coups à son niveau, car ils pourraient représenter de dangereuses conditions.

L'enroulement irrégulier du câble lors de la traction d'une charge ne présente pas de problème sauf en cas d'accumulation du câble sur un côté du tambour. Dans ce cas, inversez le fonctionnement du treuil afin de soulager la charge et déplacez votre point d'attache vers le centre du véhicule. Une fois le treuilage terminé, vous pouvez dérouler le câble et l'enrouler à nouveau d'une manière régulière.

Lorsque la charge tirée est lourde, placez une couverture, un manteau ou une bâche sur le câble, à environ deux mètres du crochet, pour absorber l'énergie en cas de rupture du câble et prévenir de graves blessures.

L'embrayage du treuil permet un déroulement rapide du câble, à partir du tambour, afin de l'accrocher à une charge. L'embrayage est actionné au moyen de sa manette ou de l'embrayeur pneumatique.

### AVERTISSEMENT : NE JAMAIS RELÂCHER L'EMBAYAGE EN PRÉSENCE D'UNE CHARGE !

**EMBAYEUR MANUEL** (cf. le schéma coté page 28) :

**POUR DÉSENCLANCHER L'EMBAYAGE** : Faites fonctionner le treuil dans le sens de déroulement jusqu'à ce que le câble ne tracte plus la charge. Tirez sur la poignée et tournez-la de 90°. Avec la poignée en position " DÉSENCLANCHÉ ", le tambour peut désormais tourner librement.

**POUR ENCLANCHER L'EMBAYAGE** : Tirez sur la poignée, faites-la tourner de 90°, puis relâchez-la. Faites fonctionner le treuil dans le sens du déroulement jusqu'à ce que la poignée s'enclenche complètement en position " ENCLANCHÉ ". **N'essayez PAS** de treuiller une charge si la poignée n'est pas complètement sur " ENCLANCHÉ ". Si le témoin lumineux d'embrayage manuel est présent, la lumière verte s'allume lorsque l'embrayage est " ENCLANCHÉ ". **N'essayez PAS** de treuiller une charge si le témoin vert n'est pas allumé. Pour brancher ce voyant sur le circuit électrique du véhicule, reportez-vous au schéma de câblage de la page 29.

**EMBAYEUR À CYLINDRE PNEUMATIQUE** (cf. le schéma coté page 29) :

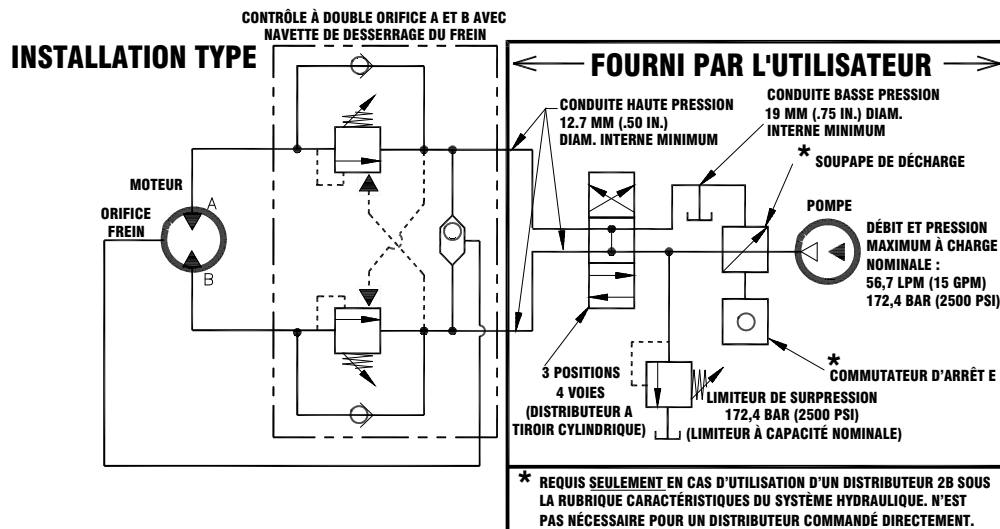
**POUR DÉSENCLANCHER L'EMBAYAGE** : Faites fonctionner le treuil dans le sens de déroulement jusqu'à ce que le câble ne tracte plus la charge. Établissez une pression pneumatique à l'orifice de 0,125-27 NPT de 5,5 bars (80 PSI) (min.)- 10,3 bars (150 PSI) (max.). **MISE EN GARDE : LA PRESSION NE DOIT PAS DEPASSER 10,3 bars (150 PSI).**

**POUR ENCLANCHER L'EMBAYAGE** : Retirez la pression pneumatique du cylindre (un ressort de rappel enclenche le piston plongeur). Faites fonctionner le treuil dans le sens de déroulement jusqu'à ce que le témoin lumineux d'enclenchement de l'embrayage (voyant vert) s'allume. Pour brancher ce voyant sur le circuit électrique du véhicule, reportez-vous au schéma de câblage de la page 29.

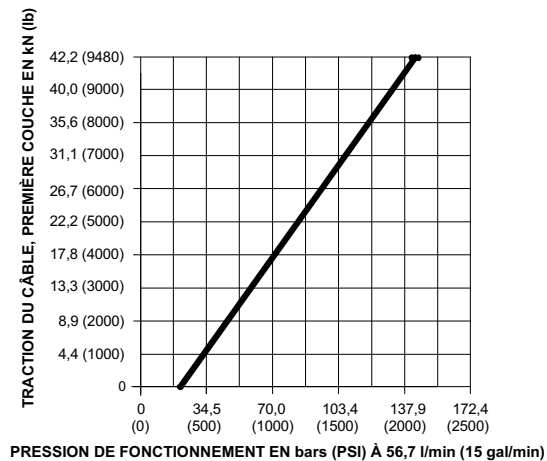
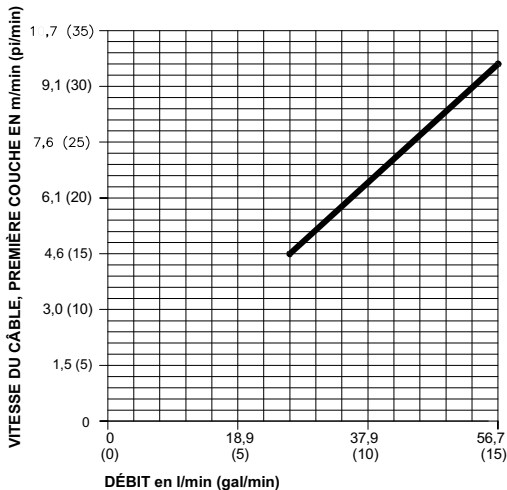
Reportez-vous aux diagrammes de performances ci-dessous pour établir une correspondance entre votre système hydraulique et le fonctionnement de votre treuil. Ces diagrammes sont constitués des éléments suivants : (1) Traction du câble, première couche kN (lb) vs. Pression de service, bars (PSI). (2) Vitesse du câble, première couche M/MIN (PI/MIN) vs. débit L/MIN (G/MIN).

### CARACTÉRISTIQUES DU SYSTÈME HYDRAULIQUE

1. Distributeur à tiroir cylindrique de moteur (centre ouvert)
2. Arrêt d'urgence :
  - A. Si un treuil est commandé par un distributeur à commande directe, ce distributeur sert de dispositif d'arrêt d'urgence.
  - B. En cas d'utilisation d'un distributeur commandé à distance, une soupape de décharge hydraulique commandée par solénoïde, normalement ouvrant sur le réservoir, et un interrupteur d'arrêt d'urgence (pour l'ouverture de la soupape de décharge) sont requis. L'interrupteur d'arrêt d'urgence doit être normalement fermé et doit être doté d'un bouton-poussoir d'activation rouge, avec réinitialisation, sur fond jaune. L'interrupteur d'arrêt d'urgence doit être facilement accessible à l'opérateur.
3. La soupape de décharge doit être réglée pour 144,7 bar (2100 psi) qui est la limite de capacité nominale.
4. Débit maximal de 56,7 l/min (15 gal/min). Ne dépassez pas 75,7 l/min (20 gal/min) sous peine d'endommagement du moteur ou du treuil.
5. Fluide hydraulique ayant une viscosité comprise entre 20 et 43 cSt (100 à 200 SUS). Température de service maximale de 85 °C (180 °F). Propreté de niveau ISO 17-14 ou meilleur.



### DIAGRAMMES DE PERFORMANCES



BASÉ SUR UN MOTEUR DE 408 cm<sup>3</sup> (24,9 po<sup>3</sup>)



## GUIDE DE DÉPANNAGE

ANOMALIE	CAUSE PROBABLE	MESURE CORRECTIVE
LE TAMBOUR REFUSE DE TOURNER EN L'ABSENCE DE CHARGE	Treuil mal aligné, ce qui entraîne un grippage du palier d'extrémité	Vérifiez le montage. Reportez-vous à la rubrique Fixation du treuil en page 21.
	Pignons endommagés	Inspectez les pignons, remplacez au besoin
LE TAMBOUR REFUSE DE TOURNER EN PRÉSENCE D'UNE CHARGE	Treuil mal aligné, ce qui entraîne un grippage du palier d'extrémité	Vérifiez le montage. Reportez-vous à la rubrique Fixation du treuil en page 21.
	Charge trop lourde pour la capacité nominale du treuil	Reportez-vous aux caractéristiques techniques de la page 20 pour la traction nominale.
	Pression du système hydraulique faible	Reportez-vous aux diagrammes des performances des systèmes hydrauliques de la page 23.
LE TREUIL FONCTIONNE TROP LENTEMENT	Faible débit du système hydraulique.	Vérifiez le débit. Reportez-vous aux caractéristiques du système et à la disposition type en page 23.
	Moteur usé	Remplacez le moteur
LE TAMBOUR NE TOURNE PAS EN ROUE LIBRE	Embrayage toujours enclenché. Vérifiez le réglage de l'embrayeur manuel, page 26.	Vérifiez le fonctionnement, page 22.
	Treuil mal aligné, ce qui entraîne un grippage du palier d'extrémité	Vérifiez le montage. Reportez-vous à la rubrique Fixation du treuil en page 21.
	Boulons de fixation latérale (pièce n° 15, page 31) trop longs, ce qui provoque un grippage de la couronne	Vérifiez la longueur des boulons. La pénétration du filet de boulon dans le trou fileté (côtés du palier d'extrémité) DOIT ÊTRE entre 12,70 mm (0,50 po) et 17,50 mm (0,68 po) maximum.
LE FREIN NE TIENT PAS	Distributeur inadapté (distributeur à tiroir cylindrique, centre fermé)	Utilisez uniquement un distributeur à tiroir cylindrique de moteur (centre ouvert).
LA CHARGE GLISSE	Contre-pression trop importante. 6,9 bars (100 PSI) max.	Assurez-vous de l'absence de contraintes au niveau du système hydraulique. Reportez-vous aux caractéristiques du système et à la disposition type en page 23.
LE CÂBLE SE DÉTEND ET FORME DE LARGES BOUCLES LORSQUE L'EMBRAYAGE EST DÉSENCLENCHÉ	Vis de rappel mal réglée	Réglez la vis de rappel Nylon. Reportez-vous à la rubrique Pose du câble en page 21.
BRUIT EXCESSIF	Débit du système hydraulique trop élevé	Vérifiez le débit. Reportez-vous à la disposition type en page 23.
	Grippage du tambour, treuil mal aligné	Reportez-vous à la rubrique Fixation du treuil en page 21.
LE TAMBOUR BROUTE DANS LE SENS DE L'ENROULEMENT	Faible débit du système hydraulique	Vérifiez le débit. Reportez-vous à la disposition type en page 23.
	Réglage de décharge du système hydraulique faible	Vérifiez le réglage de la soupape de décharge.
FUITE D'HUILE AU NIVEAU DU RENIFLARD SOUS LE PALIER D'EXTRÉMITÉ DU MOTEUR	Joints toriques de frein, bagues d'appui ou surfaces d'étanchéité endommagés	Démontez le frein et vérifiez. Reportez-vous aux instructions de révision, page 25.

## FIN DE LA PROCÉDURE D'ENTRETIEN

Quand le treuil arrive à la fin de sa durée de vie, débarrassez-vous en respectant les règlements locaux de protection de l'environnement.

## INSTRUCTIONS DE RÉVISION, TREUIL DE LA GAMME RPH 42,2

**Prenez note des configurations de montage pour l'assemblage correct des pièces lors du remontage. Remplacez tous les joints statiques, les joints toriques et les joints d'étanchéité lors du remontage.**

Débranchez le tube (pièce n° 44) des coudes (pièce n° 24) au niveau du bas du frein (pièce n° 6) et de la valve (pièce n° 45). Dévissez les vis d'assemblage (pièce n° 15), puis déposez le moteur (pièce n° 31) du carter de frein (pièce n° 6). Tapotez le moteur pour le dégager. Remplacez tous les joints statiques, les joints toriques et les joints d'étanchéité par des neufs lors du remontage.

Retirez le raccordement (pièce n° 23) du carter de frein. Examinez-le afin de déceler toute trace d'usure et remplacez-le au besoin. Le cas échéant, déposez la valve (pièce n° 45) du moteur : dévissez les vis d'assemblage (pièce n° 18) et les rondelles de sécurité (pièce n° 49). Si la valve est déposée, assurez-vous que les deux joints toriques à section carrée restent bien dans leur contre-alésage dans la valve.

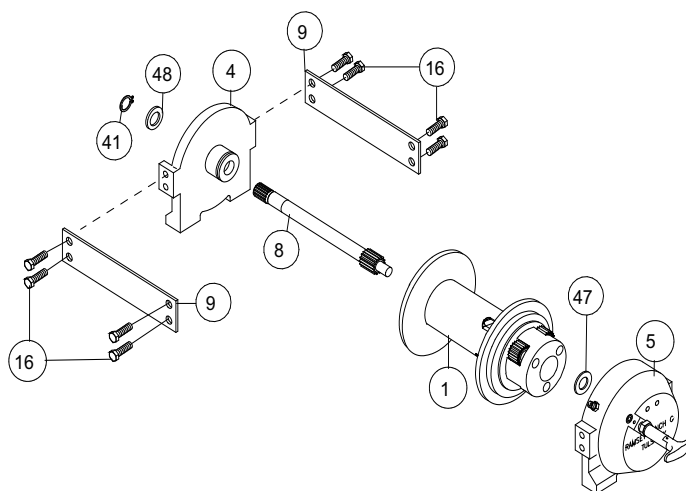
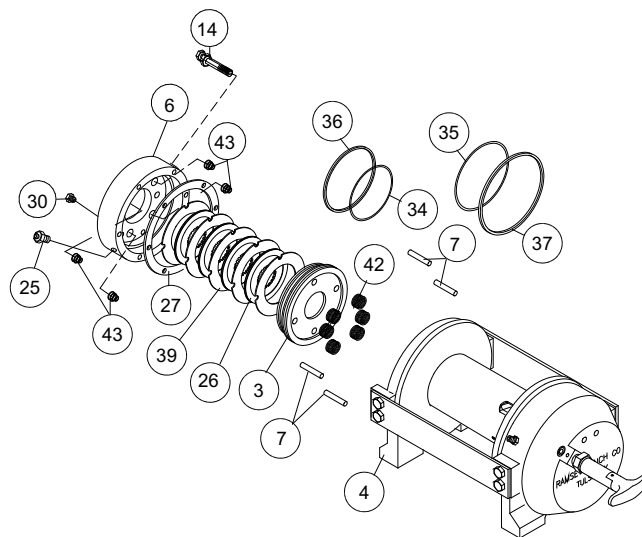
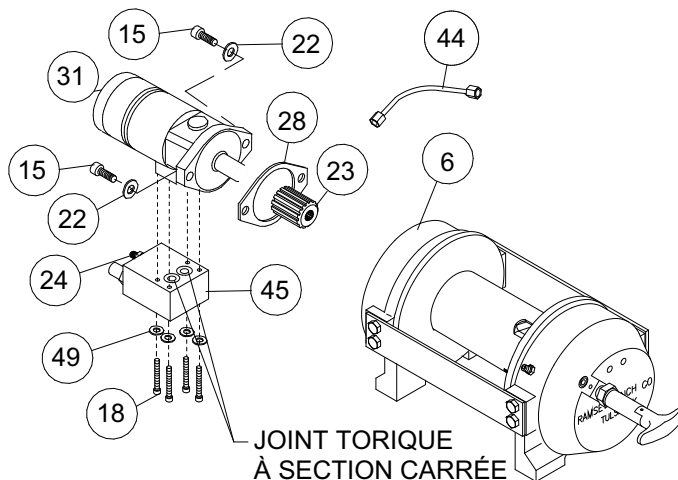
Pour retirer le carter de frein (pièce n° 6) du palier d'extrémité (pièce n° 4), dévissez six vis d'assemblage (pièce n° 14) en procédant progressivement en croix (2 tours chacune) jusqu'à ce qu'elles soient toutes retirées. Retirez les pièces du frein du carter. Inspectez les disques de frein (pièce n° 26) afin de déceler toute trace d'usure et remplacez-les au besoin. Vérifiez l'état des joints toriques (pièces n° 34 et 35) et des bagues d'appui (pièces n° 36 et 37). Retirez les joints toriques et les bagues d'appui des rainures du piston de frein (pièce n° 3).

Retirez les ressorts (pièces n° 42 et 43), vérifiez leur état et remplacez-les au besoin.

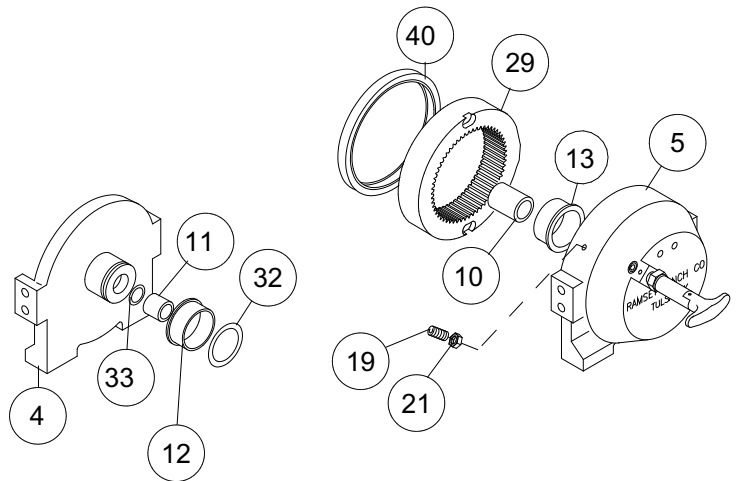
Vérifiez le bon état du raccord (pièce n° 30), et remplacez-le au besoin.

Retirez les plaques de serrage (pièce n° 9) des paliers d'extrémité (pièces n° 4 et 5) en dévissant les vis d'assemblage (pièce n° 16) comme indiqué sur le schéma. Retirez le circlip (pièce n° 41) et la rondelle de butée (pièce n° 48) de l'arbre. Faites glisser le palier d'extrémité du moteur (pièce n° 4) du tambour (pièce n° 1) et le tambour du palier d'extrémité de la boîte d'engrenages (pièce n° 5).

Retirez l'arbre d'entrée (pièce n° 8) et la rondelle de butée (pièce n° 47) du palier d'extrémité. Examinez l'état des dents de la roue et de l'extrémité cannelée de l'arbre. En cas de détérioration, l'arbre doit être remplacé.



Retirez le joint torique (pièce n° 32) et la bague (pièce n° 12) de l'extérieur du palier d'extrémité du moteur (pièce n° 4), retirez le joint torique (pièce n° 33) et la bague (pièce n° 11) de l'intérieur du palier d'extrémité du moteur (pièce n° 4). Placez le joint torique neuf et bien huilé (pièce n° 33) dans la rainure à l'intérieur du palier d'extrémité et pressez la bague neuve (pièce n° 11) sur le palier. Placez la bague (pièce n° 12) sur le palier d'extrémité et plongez le joint torique (pièce n° 32) dans l'huile avant de le placer dans la rainure du palier d'extrémité.



Retirez le joint d'étanchéité (pièce n° 40) du palier d'extrémité de la boîte d'engrenages (pièce n° 5). Desserrez l'écrou (pièce n° 21) et retirez la vis de pression Nylon (pièce n° 18), puis retirez la couronne (pièce n° 29) du palier d'extrémité de la boîte d'engrenages, si nécessaire. Retirez la bague (pièce n° 13) et le roulement (pièce n° 10) du palier d'extrémité de la boîte d'engrenages (pièce n° 5). Placez la bague neuve (pièce n° 13) et le roulement (pièce n° 10) dans le palier d'extrémité. Installez la couronne, puis la vis de pression en Nylon et l'écrou. La couronne doit être bien en place sur le palier d'extrémité de la boîte d'engrenages (pièce n° 5), et sa rainure ne doit PAS être alignée sur l'orifice de l'embrayeur. Placez un joint d'étanchéité neuf sur le palier d'extrémité de la boîte d'engrenages, avec le bord effilé tourné vers l'extérieur.

Appliquez une quantité généreuse de graisse (MOBILITH SHC 007) sur les dents de la couronne (pièce n° 29) et des roues planétaires du tambour (pièce n° 1), ainsi que sur la bague du palier d'extrémité de la boîte d'engrenages (pièce n° 5). Appliquez une petite quantité de graisse à la base de la bague du palier d'extrémité du moteur (pièce n° 4). Appliquez de la graisse sur les dents du pignon et sur l'extrémité courte de l'arbre (pièce n° 8). Placez l'extrémité à pignon de l'arbre dans la rondelle de butée (pièce n° 47) et dans le palier au bout du palier d'extrémité (pièce n° 5). Placez le tambour sur l'arbre et faites tourner le tambour pour engager les roues planétaires sur la roue de sortie de l'arbre et sur la couronne du palier d'extrémité.

Assemblez le palier d'extrémité (pièce n° 4) sur le tambour et utilisez les plaques de serrage (pièce n° 9) et les vis d'assemblage (pièce n° 16) pour maintenir les deux paliers d'extrémité ensemble. Serrez les vis à un couple de 75 Nm. Faites glisser la rondelle de butée (pièce n° 48) sur l'extrémité de l'arbre et contre le palier d'extrémité (pièce n° 4). Placez le circlip (pièce n° 41) dans la rainure de l'extrémité cannelée de l'arbre.

Le cas échéant, retirez et remplacez l'embrayeur approprié (pièce n° 2 ou 3), comme indiqué ci-dessous :

## EMBRAYEUR MANUEL

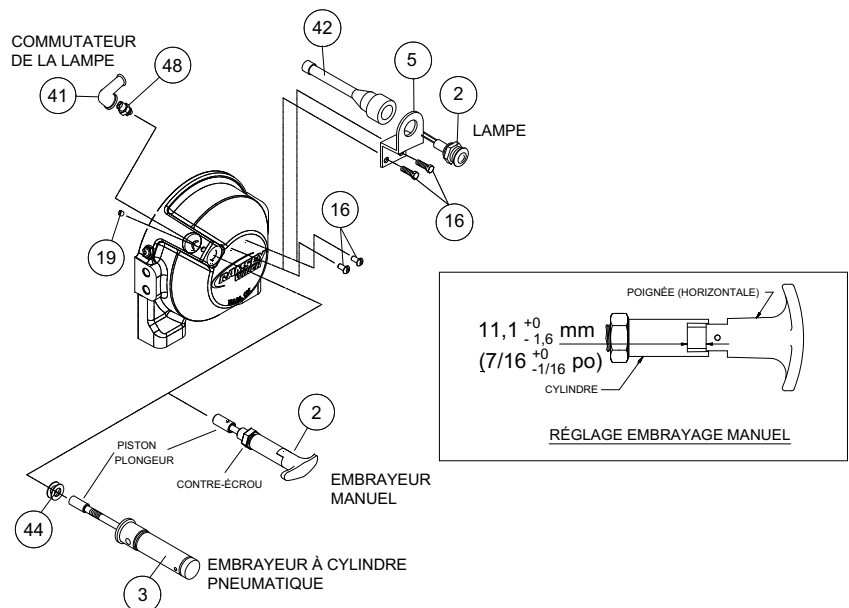
Desserrez la vis de pression (pièce n° 19) et le contre-écrou, puis desserrez l'embrayeur (pièce n° 2). Assurez-vous que la rainure de la couronne n'est pas alignée sur le trou de l'embrayeur. Faites tourner le tambour, si nécessaire, pour vous assurer que le trou et la fente ne sont pas alignés.

Reposez l'embrayeur avec le piston plongeur, le contre-écrou et la poignée dans la boîte d'engrenages, comme indiqué ci-dessous. Enfilez l'ensemble (avec la poignée insérée dans la fente du cylindre) dans la boîte d'engrenages. Tirez le tambour vers le palier d'extrémité de la boîte d'engrenages afin d'éliminer le jeu. Maintenez le tambour en place et

continuez d'enfiler l'ensemble de l'embrayeur jusqu'à ce que l'espace entre le bout de la poignée et le cylindre soit de  $11,1^{+0}_{-1,6}$  mm ( $7/16^{+0}_{-1/16}$  po) et que la poignée soit en position horizontale (cf. ci-dessous).

**Remarque :** Cet espace varie en fonction du jeu axial du tambour. Lorsque le tambour est tiré contre la boîte d'engrenages, l'espace doit être de 10 mm (0,38 po).

Serrez légèrement le contre-écrou. Faites tourner le tambour jusqu'à ce que la poignée s'enclenche complètement. Tirez sur la poignée et tournez-la de 90°. Assurez-vous que le tambour peut tourner librement (au moins un tour complet) avec l'embrayeur en position DÉSENCLANCHÉE. Serrez fermement le contre-écrou tout en maintenant la poignée. Serrez fermement la vis de pression (pièce n° 19). Revérifiez le bon fonctionnement de l'embrayage, comme indiqué en page 22.

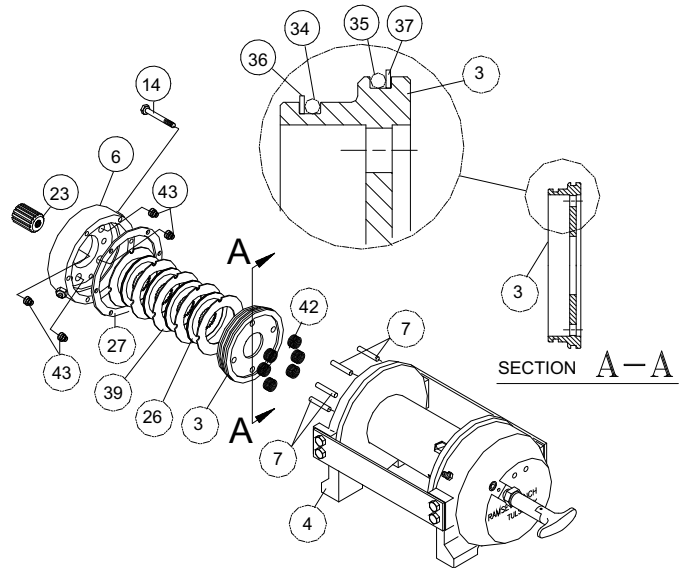


## EMBRAYEUR À CYLINDRE PNEUMATIQUE

Desserrez la vis de pression (pièce n° 19) pour retirer l'embrayeur (pièce n° 3). Pour la réinstallation, placez une ou deux cales (pièce n° 44) sur le piston plongeur et enfitez l'ensemble de l'embrayeur dans la boîte côté engrenages. Ajoutez ou retirez des cales afin d'orienter les ouvertures pour les connexions pneumatiques. Ces ouvertures doivent être dirigées vers le bas (sous l'horizontale). Serrez la vis de pression. Vérifiez le bon fonctionnement de l'embrayage, comme indiqué en page 22.

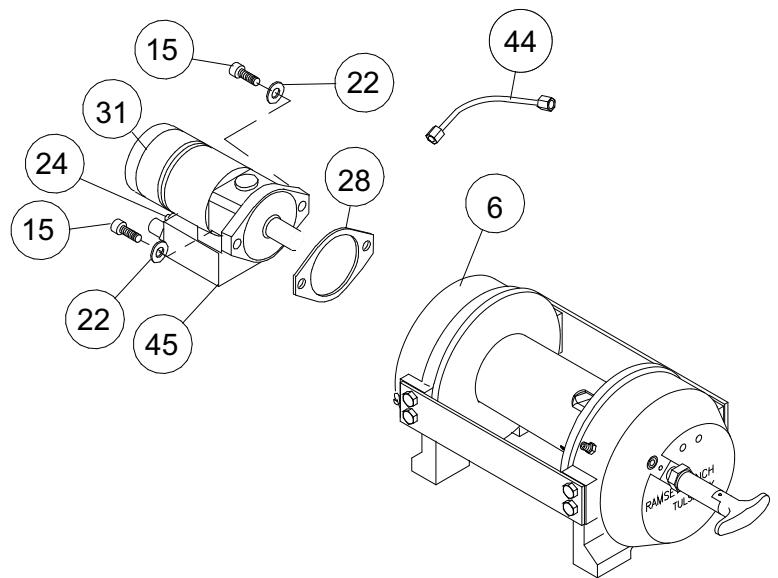
Si la lampe (pièce n° 2) ou son commutateur (pièce n° 48) doit être remplacé(e), reportez-vous au schéma de la page 29 pour les branchements électriques, et déposez puis remontez comme indiqué.

Placez le treuil sur l'extrémité de la boîte d'engrenages avec le palier d'extrémité du moteur (pièce n° 4) vers le haut. Insérez six ressorts (pièce n° 42) dans les logements du palier d'extrémité du moteur (pièce n° 4), comme indiqué sur le schéma, en laissant les logements inférieur et supérieur vides. Installez le raccordement (pièce n° 23) sur l'extrémité cannelée de l'arbre (pièce n° 8). Placez quatre goupilles de frein (pièce n° 7) dans les quatre trous du palier d'extrémité du moteur. Installez le joint torique bien huilé (pièces n° 34 et 35) et les bagues d'appui (pièces n° 36 et 37) dans les rainures du pourtour externe du piston (pièce n° 3). Placez les joints toriques dans les parties des rainures les plus proches du centre du piston dans les deux cas. Référez-vous à la SECTION A-A ci-dessous.

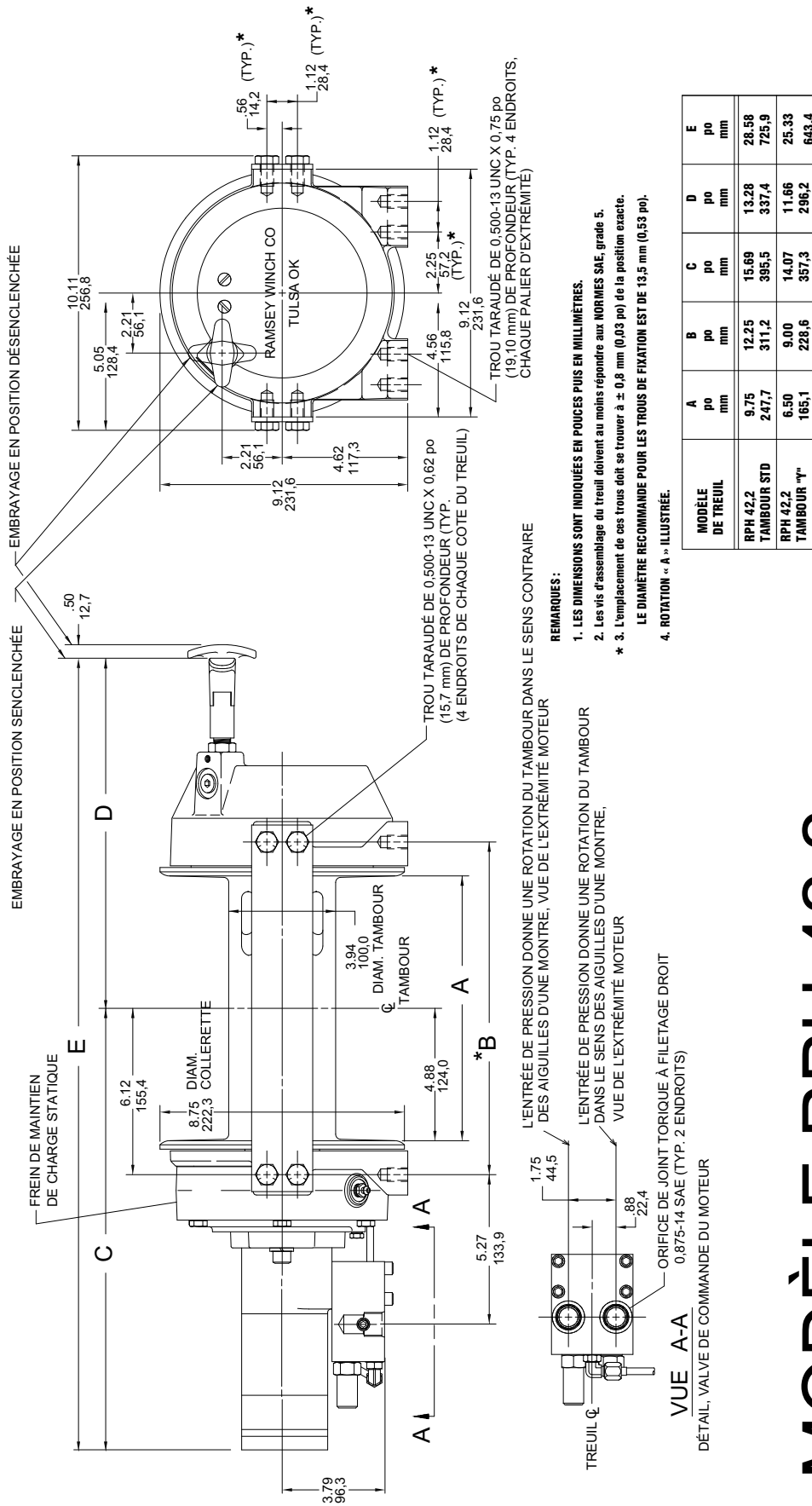


Le piston (pièce n° 3), le disque de frein (pièce n° 26) et les plaques de séparation (pièce n° 39) doivent être propres et exempts de graisse ou d'huile. Placez le piston sur les goupilles (pièce n° 7) et sur le dessus des ressorts (pièce n° 42). Placez les plaques de séparation (pièce n° 39) et le disque de frein en alternance au-dessus du piston, comme indiqué ci-dessous. Placez l'extrémité de plus grand diamètre des quatre ressorts (pièce n° 43) dans les logements du carter de frein (pièce n° 6). Placez le joint statique (pièce n° 27) sur le dessus du palier d'extrémité (pièce n° 4). Placez le carter de frein sur les pièces du frein avec les orifices de raccordement vers le bas en direction des pieds de fixation. Alignez les trous de fixation et appuyez sur le carter de frein pour le placer sur le palier d'extrémité (pièce n° 4). Appliquez du 271 Loc-tite sur six vis d'assemblage (pièce n° 14) et serrez-les à la main jusqu'à ce qu'elles soient au niveau de la surface du carter de frein. Serrez les vis d'assemblage (deux tours chacune) en procédant progressivement en croix jusqu'à un couple de 41 Nm.

Placez le joint statique (pièce n° 28) sur la surface de montage du moteur (pièce n° 31). Faites glisser l'arbre du moteur dans le raccordement et fixez le moteur sur le carter de frein (pièce n° 6). Utilisez deux vis d'assemblage (pièce n° 15) avec leurs rondelles de sécurité (pièce n° 22), et serrez-les à un couple de 118 Nm chacune. Raccordez fermement le tube (pièce n° 44) sur les coudes (pièce n° 24) de la valve (pièce n° 45) et du bas du carter de frein (pièce n° 6).

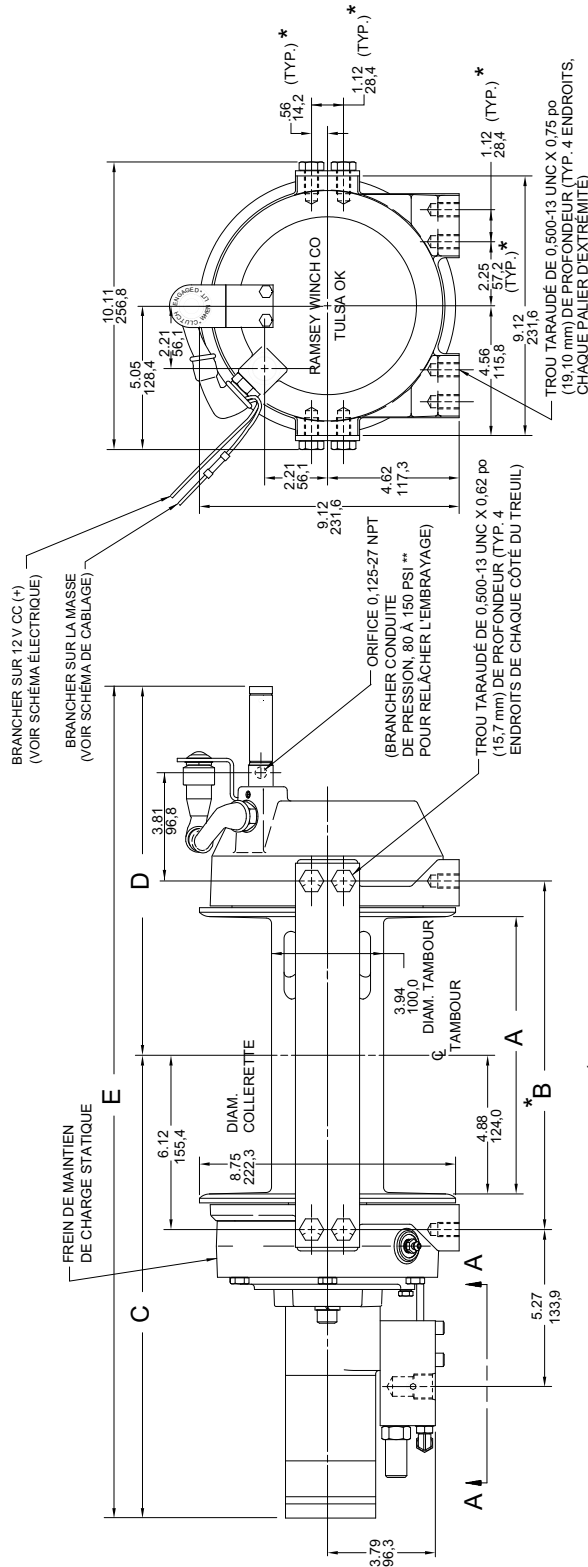


Établissez une pression d'au moins 37,9 bars dans le système hydraulique pour relâcher le frein ; vérifiez qu'il se relâche en observant si le tambour tourne.



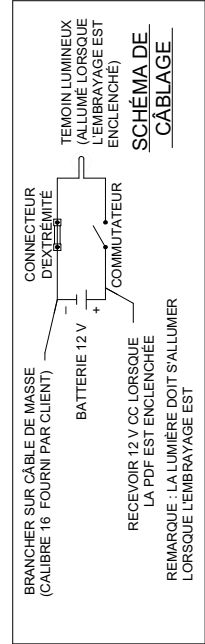
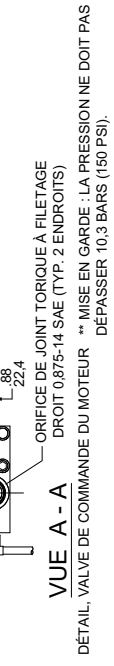
# MODÈLE RPH 42,2

## À EMBRAYEUR MANUEL



L'ENTRÉE DE PRESSION DONNE UNE ROTATION DU TAMBOUR DANS LE  
SENS CONTRAIRE DES AIGUILLES D'UNE MONTRÉ. VUE DE L'EXTREMITE MOTEUR

L'ENTRÉE DE PRESSION DONNE UNE ROTATION DU TAMBOUR DANS LE  
SENS DES AIGUILLES D'UNE MONTRÉ. VUE DE L'EXTREMITE MOTEUR



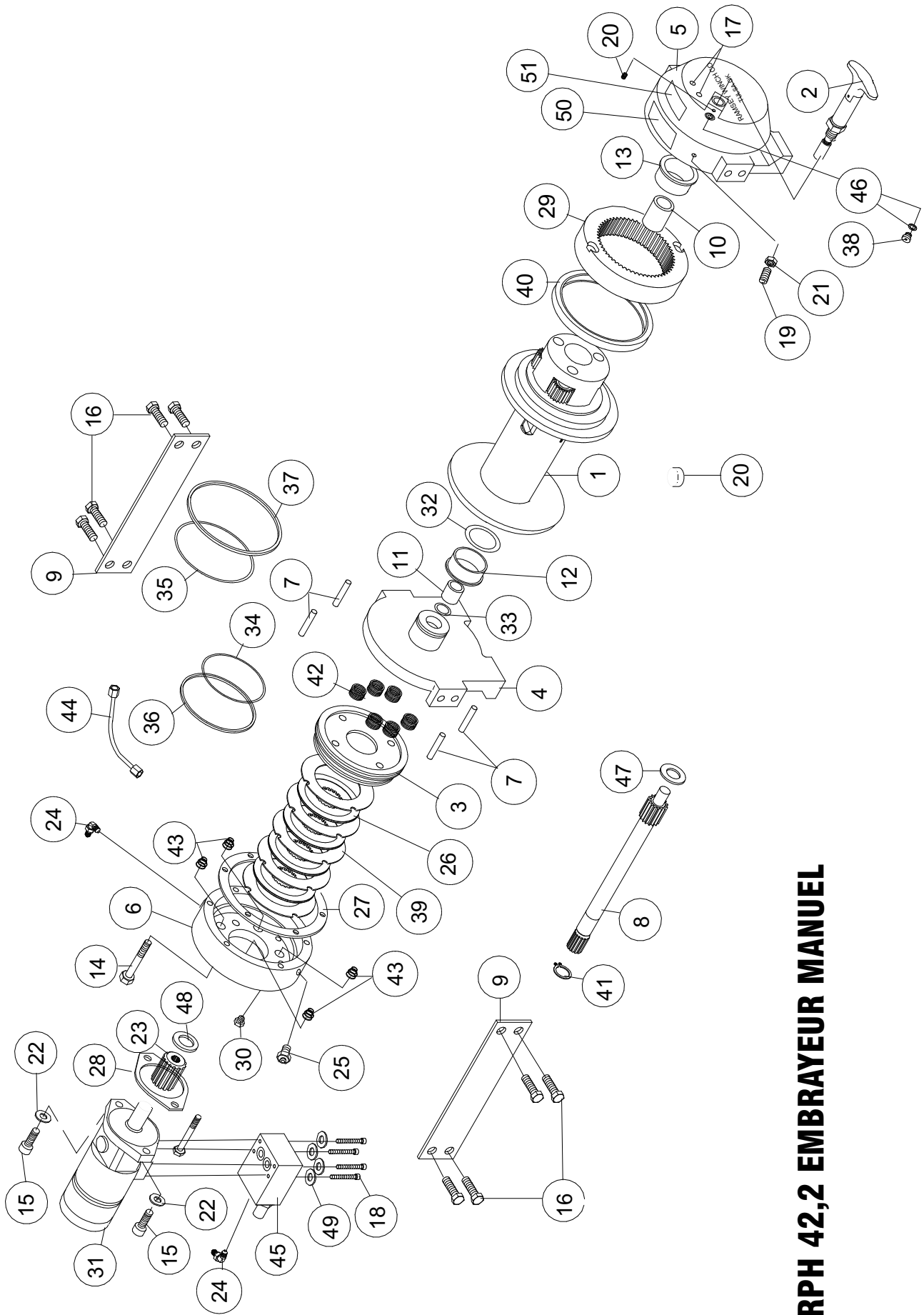
**REMARQUES**

1. LES DIMENSIONS SONT INDIQUEES EN POUCES PUIS EN MILLIMETRES.
2. LES VIS D'ASSEMBLAGE DU TREUIL DOIVENT AU MOINS REPONDERE AUX NORMES SAE, GRADE 5.
3. L'EMPLACEMENT DE CES TROUS DOIT SE TROUVER A ± 0,8 mm (0,03 po) DE LA POSITION EXACTE.  
LE DIAMETRE RECOMMANDÉ POUR LES TROUS DE FIXATION EST DE 13,5 mm mm (0,53 po po ).
4. ROTATION « A » ILLUSTRÉE.

MODÈLE DE TREUIL	A po mm	B po mm	C po mm	D po mm	E po mm
RPH 42,2 TAMBOUR STD	9,75 247,7	12,25 311,2	15,69 395,5	13,28 337,4	28,58 725,9
RPH 42,2 TAMBOUR "M"	6,50 165,1	9,00 228,6	14,07 357,3	11,66 296,2	25,33 643,4

# MODÈLE RPH 42,2

## À EMBRAYEUR À CYLINDRE PNEUMATIQUE

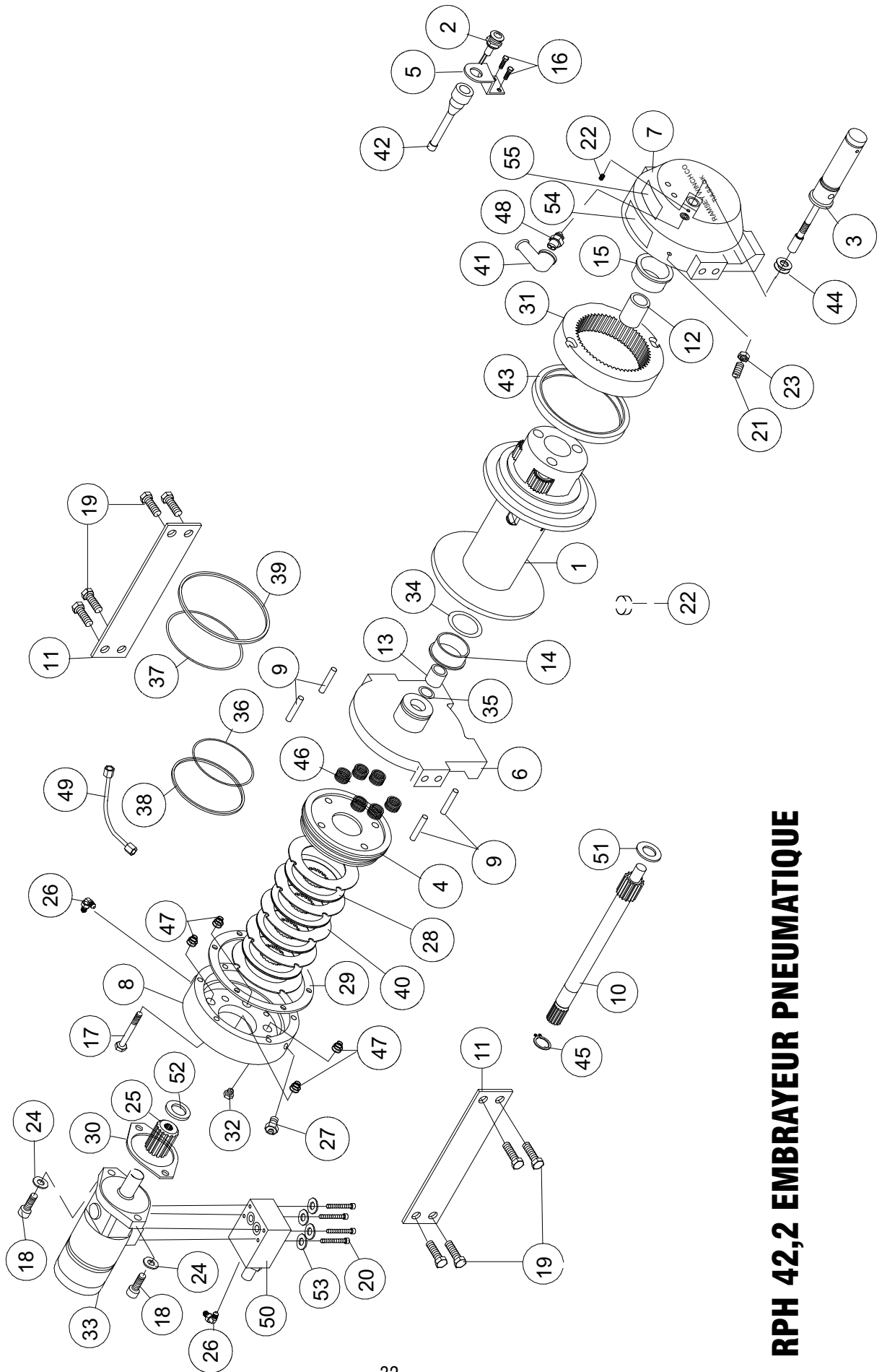


## RPH 42,2 EMBRAYEUR MANUEL

## LISTE DES PIÈCES DU RPH 42,2 AVEC EMBRAYEUR MANUEL

PIÈCE	QTÉ.	RÉFÉRENCE	DESCRIPTION
1	1	234229	ENSEMBLE TAMBOUR STD.
	1	234230	ENSEMBLE TAMBOUR « Y »
2	1	276052	ENSEMBLE EMBRAYEUR - MANUEL
3	1	306042	PISTON - FREIN
4	1	338300	PALIER D'EXTRÉMITÉ - MOTEUR
5	1	338301	PALIER D'EXTRÉMITÉ - BOÎTE D'ENGRENAGES
6	1	338302	CARTER - FREIN
7	4	346045	GOUPILLE - FREIN
8	1	357504	ARBRE - ENTRÉE/PLANÉTAIRE STD.
	1	357536	ARBRE - ENTRÉE/PLANÉTAIRE « Y »
9	2	395427	PLAQUE DE SERRAGE STD.
	2	395426	PLAQUE DE SERRAGE « Y »
10	1	402120	PALIER - BOÎTE D'ENGRENAGES.
11	1	402121	PALIER - PALIER D'EXTRÉMITÉ MOTEUR
12	1	412084	BAGUE - TAMBOUR (EXTRÉMITÉ MOTEUR)
13	1	412085	BAGUE - TAMBOUR (EXTRÉMITÉ BOÎTE D'ENGRENAGES)
14	6	414303	VIS D'ASSEMBLAGE - 3/8-16 NC x 2,5 po (long) TÊTE HEX., GR. 5 PLAQUÉE.
15	2	414952	VIS D'ASSEMBLAGE - 1/2-13 NC x 1,25 po (long) TÊTE CREUSE.
16	8	414581	VIS D'ASSEMBLAGE - 1/2-13 NC x 0,75 po (long) TÊTE HEX. GR. 5 PLAQUÉE.
17	2	414854	VIS D'ASSEMBLAGE - 1/4-20 NC x 0,5 po (long) TÊTE RONDE FENDUE PLAQUÉE.
18	4	414159	VIS D'ASSEMBLAGE - 5/16-18 NC x 1,5 po (long) TÊTE HEX. GR5 GALVANISÉE
	4	414147	VIS D'ASSEMBLAGE - 5/16-18 NC x 3,5 po (long) TÊTE HEX. GR5 GALVANISÉE (ORIFICES LATÉRAUX)
19	1	414926	VIS DE PRESSION - 3/8-16 NC x 1 po (long), TÊTE CREUSE, NYLON
20	1	315008	GALET D'ANCRAGE
21	1	418036	CONTRE-ÉCROU 3/8-16 NC HEX
22	2	418218	RONDELLE DE SÉCURITÉ - DIAM. INTERNE 0,5 po SECT. MOY.
23	1	431015	RACCORDEMENT MOTEUR
24	2	432018	RACCORD COUDÉ 7/16 po
25			INUTILISÉ
26	4	438022	DISQUE - FREIN
27	1	442220	JOINT STATIQUE - FREIN
28	1	442223	JOINT STATIQUE - MOTEUR
29	1	444085	COURONNE
30	1	456038	RACCORD D'ÉVENT
31	1	458079	MOTEUR HYDRAULIQUE
32	1	462046	JOINT TORIQUE (TAMBOUR)
33	1	462056	JOINT TORIQUE
34	1	462057	JOINT TORIQUE
35	1	462058	JOINT TORIQUE
36	1	462059	JOINT TORIQUE D'APPUI
37	1	462060	JOINT TORIQUE D'APPUI
38	1	472052	BOUCHON
39	5	474111	PLAQUE DE SÉPARATION
40	1	486080	JOINT D'ÉTANCHÉITÉ - BOÎTE D'ENGRENAGES
41	1	490037	CIRCLIP
42	6	494110	RESSORT - FREIN
43	4	494112	RESSORT
44	1	509143	TUBE - ORIFICES SUPÉRIEURS
	1	509144	TUBE - ORIFICES LATÉRAUX
45	1	516051	DISTRIBUTEUR - MOTEUR (ROTATION A)
	1	516052	DISTRIBUTEUR - MOTEUR (ROTATION B)
	1	516053	DISTRIBUTEUR - MOTEUR (ROTATION A/ORIFICES LATÉRAUX)
46	1	518037	RONDELLE DE BUTÉE
47	1	518047	RONDELLE DE BUTÉE
48	1	518052	RONDELLE DE BUTÉE
49	4	418163	RONDELLE DE SECURITE - 5/16 po, SECT. MOY., GALVANISÉE
50	1	434570	ÉTIQUETTE SIGNALÉTIQUE
51	1	434235	ÉTIQUETTE – ROTATION A
	1	434236	ÉTIQUETTE – ROTATION B





**RPH 42,2 EMBRAYEUR PNEUMATIQUE**

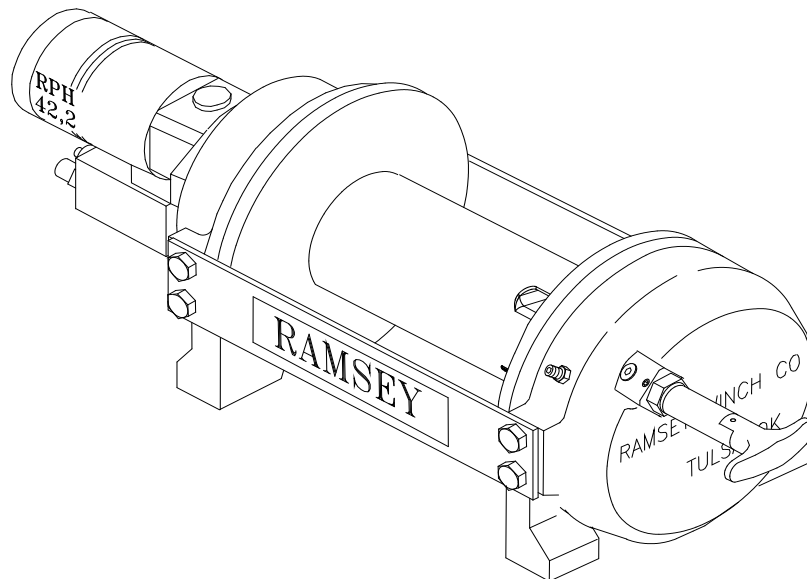
## LISTE DES PIÈCES DU RPH 42,2 AVEC EMBRAYEUR À CYLINDRE PNEUMATIQUE

PIÈCE	QTÉ	RÉFÉRENCE	DESCRIPTION
1	1	234229	ENSEMBLE TAMBOUR STD.
	1	234230	ENSEMBLE TAMBOUR « Y »
2	1	236020	LAMPE
3	1	276053	ENSEMBLE EMBRAYEUR - CYLINDRE PNEUMATIQUE
4	1	306042	PISTON - FREIN
5	1	312529	SUPPORT - LAMPE
6	1	338300	PALIER D'EXTRÉMITÉ - MOTEUR
7	1	338301	PALIER D'EXTRÉMITÉ - BOÎTE D'ENGRENAGES
8	1	338302	CARTER - FREIN
9	4	346045	GOUPILLE - FREIN
10	1	357504	ARBRE - ENTRÉE/PLANÉTAIRE STD.
	1	357536	ARBRE - ENTRÉE/PLANÉTAIRE « Y »
11	2	395427	PLAQUE DE SERRAGE STD.
	2	395426	PLAQUE DE SERRAGE « Y »
12	1	402120	PALIER - BOÎTE D'ENGRENAGES
13	1	402121	PALIER - PALIER D'EXTRÉMITÉ MOTEUR
14	1	412084	BAGUE - TAMBOUR (EXTRÉMITÉ MOTEUR)
15	1	412085	BAGUE - TAMBOUR (EXTRÉMITÉ BOÎTE D'ENGRENAGES)
16	2	414036	VIS D'ASSEMBLAGE - 1/4-20 NC x 0,5 po (long).
17	6	414303	VIS D'ASSEMBLAGE - 3/8-16 NC x 2,5 po (long) TÊTE HEX., GR. 5 PLAQUÉE.
18	2	414952	VIS D'ASSEMBLAGE - 1/2-13 NC x 1,25 po (long) TÊTE CREUSE.
19	8	414581	VIS D'ASSEMBLAGE - 1/2-13 NC x 0,75 po (long) TÊTE HEX. GR. 5 PLAQUÉE.
20	4	414159	VIS D'ASSEMBLAGE 5/16-18 NC X 1-1/2 (long) TÊTE HEX. 5 GR. GALVANISÉE
	4	414147	VIS D'ASSEMBLAGE 5/16-18 NC X 3-1/2 (long) TÊTE HEX. 5 GR. GALVANISÉE (ORIFICES LATÉRAUX)
21	1	414926	VIS DE PRESSION - 3/8-16 NC x 1 po (long), TÊTE CREUSE, NYLON
22	1	315008	GALET D'ANCRAGE
23	1	418036	CONTRE-ÉCROU 3/8-16 NC HEX
24	2	418218	RONDELLE DE SÉCURITÉ - DIAM. INTERNE 0,5 po SECT. MOY.
25	1	431015	RACCORD MOTEUR
26	2	432018	RACCORD COUDÉ 7/16 po
27			INUTILISÉ
28	4	438022	DISQUE - FREIN
29	1	442220	JOINT STATIQUE - FREIN
30	1	442223	JOINT STATIQUE - MOTEUR
31	1	444085	COURONNE
32	1	456038	RACCORD D'ÉVENT
33	1	458079	MOTEUR HYDRAULIQUE
34	1	462046	JOINT TORIQUE (TAMBOUR)
35	1	462056	JOINT TORIQUE
36	1	462057	JOINT TORIQUE
37	1	462058	JOINT TORIQUE
38	1	462059	JOINT TORIQUE D'APPUI
39	1	462060	JOINT TORIQUE D'APPUI
40	5	474111	PLAQUE DE SÉPARATION
41	1	482013	MANCHON
42	1	482045	MANCHON
43	1	486080	JOINT D'ÉTANCHÉITÉ - BOÎTE D'ENGRENAGES.
44	2	488007	CALE
45	1	490037	CIRCLIP
46	6	494110	RESSORT - FREIN
47	4	494112	RESSORT
48	1	504021	COMMUTATEUR
49	1	509143	TUBE (ORIFICES SUPÉRIEURS)
	1	509144	TUBE (ORIFICES LATÉRAUX)
50	1	516051	DISTRIBUTEUR - MOTEUR (ROTATION A)
	1	516052	DISTRIBUTEUR - MOTEUR (ROTATION B)
	1	516053	DISTRIBUTEUR - MOTEUR (ROTATION A/ORIFICES LATÉRAUX)
51	1	518047	RONDELLE DE BUTÉE
52	1	518052	RONDELLE DE BUTÉE
53	4	418163	RONDELLE DE SECURITE - 5/16 po, SECT. MOY., GALVANISÉE
54	1	434570	ÉTIQUETTE SIGNALÉTIQUE
55	1	434235	ÉTIQUETTE - ROTATION A
	1	434236	ÉTIQUETTE - ROTATION B



# BETRIEBS-, INSTANDHALTUNGS- UND WARTUNGSHANDBUCH

English (Original Instructions) ..... 1  
Français (Traduction des instructions originales) . . 18  
Deutsch (Übersetzung der Originalanleitung) . . . . . 34  
Español(Traducción de las instrucciones originales).50



## PLANETENWINDE MODELL RPH 42,2

**VERWENDUNGSZWECK: FAHRZEUG-ABSCHLEPP-/BERGUNGSARBEITEN UND ZIEHEN VON LASTEN**



**ACHTUNG: VOR DER INSTALLATION UND INBETRIEBNAHME DER WINDE MUSS DIESES HANDBUCH GELESEN UND VERSTANDEN WERDEN. SIEHE WARNHINWEISE!**

### **Ramsey Winch Company**

P. O. Box 581510 - Tulsa, OK 74158-1510, USA  
Telefon: +1 (918) 438-2760 - Fax +1 (918) 438-6688  
Besuchen Sie uns: <http://www.ramsey.com>

### **Ramsey Bevollmächtigter in der Europäischen Union:**

**(Bitte nur bei Regulierungsfragen kontaktieren.)**

Alura Group BV  
P.O. Box 18626  
2502 EP The Hague  
The Netherlands  
Tel: (31) (0) 70 362-4896  
Fax: (31) (0) 70 346-7299

## INHALTSVERZEICHNIS

EINFÜHRUNG .....	37
VERANTWORTUNG DES BENUTZERS BEZÜGLICH EG-KONFORMITÄT .....	37
TECHNISCHE DATEN .....	37
WARNHINWEISE .....	37
INSTALLATION DER WINDE .....	38
INSTALLATION DES SEILS .....	38
WARTUNG .....	39
BETRIEB .....	39
HYDRAULIKANFORDERUNGEN .....	40
TYPISCHE ANORDNUNG .....	40
LEISTUNGSDIAGRAMME .....	40
FEHLERSUCHE .....	41
AUSSERBETRIEBSETZUNG .....	42
ÜBERHOLUNGSANWEISUNGEN .....	42-44
MASSZEICHNUNGEN .....	45-46
TEILELISTE UND TEILEZEICHNUNGEN .....	47-50
EG-KONFORMITÄTSERKLÄRUNG .....	51

## TECHNISCHE DATEN\*

Seilzugkraft, erste Lage	42,2 kN				
Lärmpegel	75 db				
Umgebungstemperaturbereich	-28 °C à 60 °C				
Getriebeuntersetzung	5.1:1				
Gewicht (ohne Seil)	STD. TROMMEL	49,9 Kg (110 lb)			
	„Y“- TROMMEL	47,6 Kg (105 lb)			
SEILLAGE	1	2	3	4	
Seilzugkraft pro Lage	kN	42,2	35,2	30,2	26,4
	lb	9,480	7,900	6,700	5,900

\*Capacité du câble par couche

STD. TROMMEL	m	6	15	24	36
	ft	20	50	80	120
„Y“- TROMMEL	m	4	9	16	24
	ft	15	30	55	80
*Seilgeschwindigkeit (bei 56,7 l/min)	m/min	9,7	11,2	13,0	14,8
	FPM	32	37	43	49
*Diese technischen Daten basieren auf dem empfohlenen Drahtseil (11 mm Drahtstärke, Sorte 1960) und einem 408 cm³/R Motor.					

## WARNHINWEISE:

**DER BENUTZER MUSS SICHERSTELLEN, DASS DAS BEDIENPERSONAL DIE ERFORDERLICHE SCHULUNG ERHÄLT.**

**DER BEDIENER MUSS BEIM BETRIEB STETS DIE BEDIENUNGSANWEISUNGEN BEFOLGEN.**

**FÜR DIE BREMSE IST EIN WEGE-VENTIL (MOTORWICKLUNGS-DURCHFLUSSSYSTEM) ERFORDERLICH.**

**VOR BEGINN DES WINDENBETRIEBS MUSS SICHERGESTELLT WERDEN, DASS DIE KUPPLUNG VOLLSTÄNDIG EINGERÜCKT IST.**

**DIE KUPPLUNG NICHT UNTER LAST AUSTRÜCKEN.**

**NIEMALS UNTER ODER NEBEN ANGEHOBELEN LASTEN STEHEN.**

**WÄHREND DES ZIEHENS EINEN SICHEREN ABSTAND ZUM SEIL EINHALTEN. NICHT VERSUCHEN, DAS SEIL ZU LENKEN.**

**DIE WINDE NICHT ZUM HEBEN, TRAGEN ODER ANDERWEITIGEN TRANSPORT VON PERSONEN VERWENDEN.**

**ZUM HALTEN DER LAST SIND MINDESTENS 2 SEILWICKLUNGEN UM DEN TROMMELZYLINDER NOTWENDIG.**

**FÜR AUTOTRANSPORTER: NACHDEM DAS FAHRZEUG AUF DEN TRANSPORTER GEZOGEN WURDE, MUSS DIESES AUF DER LADEFLÄCHE GESICHERT WERDEN. WÄHREND DES TRANSPORTS DES FAHRZEUGS DARF KEINE LAST AM WINDENSEIL HÄNGEN. DIE WINDE DARF NICHT ZUM FESTZURREN DES FAHRZEUGS VERWENDET WERDEN.**

**BEDINGUNGEN VERMEIDEN, BEI DENEN SICH DIE LAST VERSCHIEBT ODER RUCKARTIGE BEWEGUNGEN VORKOMMEN.**

**ÜBERMÄSSIGEN „TIPPBETRIEB“ VERMEIDEN.**

## VERANTWORTUNG DES BENUTZERS BEZÜGLICH CE-KONFORMITÄT

1. Nur ein Durchfluss-Wegeventil (Motorwicklung) gemäß den Hydraulikanforderungen verwenden.
2. Wenn ein fernbedienter Windensteuerschieber verwendet wird, siehe die Hydraulikanforderungen für zu installierende Notstopkomponenten.
3. Hydrauliküberdruck gemäß den Hydraulikanforderungen anpassen.
4. Die Winde gemäß den Windeninstallationsanweisungen montieren.
5. Drahtseil (11 mm Drahtstärke, Sorte 1960) installieren. Für die STD. Trommel gilt eine maximale Seillänge von 36 m für maximal 4 Lagen. Für die „Y“-Trommel gilt eine maximale Seillänge von 24 m für maximal 4 Lagen. Das Seil gemäß den Seilinstallationsanweisungen an der Trommel befestigen. Haken muss eine Sicherheitssperre und eine minimale Abreißfestigkeit von 106 kN aufweisen.

## INSTALLATION DER WINDE

### WICHTIGE MONTAGEANWEISUNGEN FÜR DIE AUFRECHTERHALTUNG DER AUSRICHTUNG DER PLANETENWINDENKOMPONENTEN:

Es ist sehr wichtig, dass diese Winde sicher befestigt wird, damit die drei Hauptsegmente (Motor, Seiltrommel und Getriebekasten) richtig ausgerichtet sind. Übermäßiger Buchsenverschleiß und Schwierigkeiten beim Freilauf sind in der Regel Anzeichen von Fehlausrichtung.

Wenn die Winde in der Mitte installiert ist, muss mindestens eine Verbindungsplatte an den Montagefüßen am Boden der Winde angebracht werden, um die Ausrichtung aufrechtzuerhalten. Wenn die Winde am Fuß installiert ist, muss mindestens eine Verbindungsplatte in der Mitte der Winde angebracht sein, um die Ausrichtung aufrechtzuerhalten. In der fertig installierten Konfiguration ist es immer wünschenswert, **BEIDE** Verbindungsplatten einzusetzen.

Für möglichst einfache Windenmontage sollte der Winkelrahmen-Anbausatz 251006 (Standard-Trommel) und 251007 („Y“-Trommel) verwendet werden. Mit dem Winkelrahmen-Anbausatz kann die Winde in aufrechter oder in der Mitte montierter Konfiguration angebaut werden. Dieser Rahmen erfüllt alle Kriterien für eine solide und fluchtgerechte Anbaufläche.

Wird die Winde mit einem anderen Anbaurahmen als dem empfohlenen Ramsey-Winkelrahmen-Anbausatz befestigt, muss das auf Seite 45-46 in den Maßzeichnungen beschriebene Bohrmuster verwendet werden. Die Anbaufläche muss eine Ebenheit innerhalb von 0,38 mm aufweisen und ausreichend steif und biegeunempfindlich sein. Wenn eine Stahlplatte für die Fußmontage verwendet wird, muss diese 19 mm stark sein. Bei dieser Art des Anbaus sind zum Montieren der Winde acht (8) 1/2-13NC x 38 mm lange Kopfschrauben der Sorte 5 mit Sicherungsscheiben erforderlich. Die Kopfschrauben auf 115 Nm festziehen.

**ANMERKUNG:** Wenn zum Anbau der Winde Montagewinkel oder eine Stahlplatte verwendet werden, müssen die im Lieferumfang der Winde enthaltenen Verbindungsplatten an den frei bleibenden Anbauplatten angebracht werden, egal ob an der Seite oder am Fuß.

## INSTALLATION DES SEILS

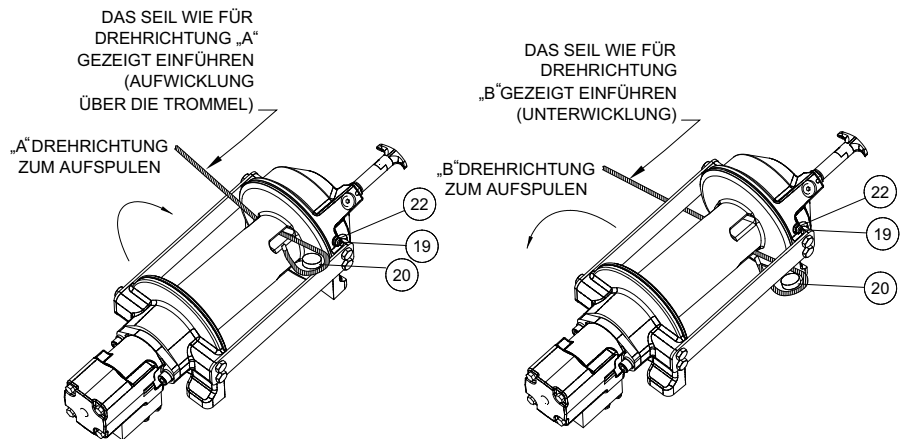
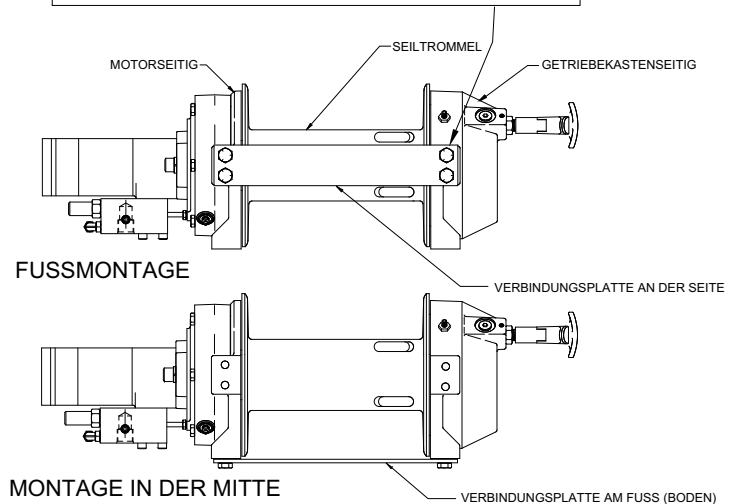
Der Aufkleber "A" oder "B" auf dem Kupplungsendlager zeigt die Laufrichtung des Seils an. Außerdem ist in das kupplungsseitige Endlager ein Buchstabe A oder B eingeprägt, der die Drehrichtung anzeigt. Wenn der Aufkleber beschädigt oder unleserlich ist, können Anweisungen zum Bestimmen der richtigen Laufrichtung beim Kundendienst erfragt werden. **Zum Umkehren der Laufrichtung die Positionen der Patrone und des Stopfens vertauschen (siehe Abbildung auf Seite 39).**

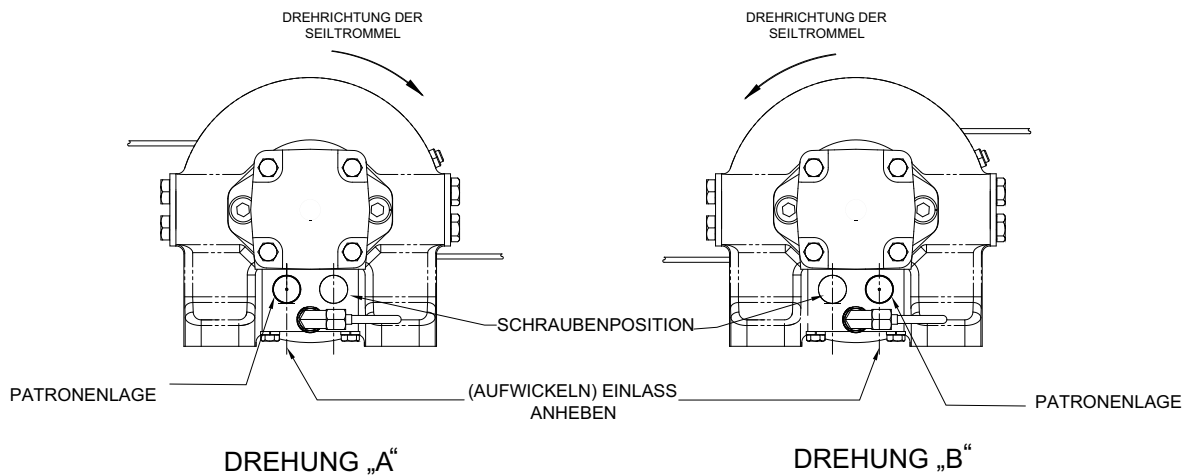
1. Zum Abwickeln das Seil am Boden entlang auslegen, um ein Knicken zu vermeiden. Das dem Haken entgegen gesetzte Seilende mit Plastik- oder ähnlichem Klebeband umwickeln, um ein Ausfransen zu verhindern.
2. Das Drahtseil durch das schmale Ende der Tasche bis gegen den Trommelflansch einführen. Das Drahtseil um den Anker-Puck (Nr. 20) wickeln und dann das Drahtseil mit dem Anker in das weite Ende der Tasche zurückziehen. Mit einem Gummihammer auf die Rückseite des Drahtseils klopfen, bis Drahtseil und Anker fest in der Tasche sitzen.
3. Die Winde langsam in Aufwickelrichtung in Bewegung setzen. Das Seilende gespannt halten und das Seil vollständig auf die Seiltrommel aufwickeln. Darauf achten, dass sauber gewickelte Lagen entstehen.

Nach der Seilinstallation den Freilauf überprüfen. Die Kupplung ausrücken und das Seil mit Gehgeschwindigkeit abziehen. Wenn sich das Seil verwickelt, die Gegenmutter (Nr. 22) lösen und die Nylonstellschraube (Nr. 17) nach rechts drehen, um den Widerstand an der Trommel zu erhöhen. Wenn zu viel Kraft zum Ziehen des Seils erforderlich ist, die Nylonstellschraube nach links drehen. Bei Erreichen der richtigen Einstellung die Gegenmutter wieder festziehen.

**ACHTUNG:** BEI ZU STARKEM ANZIEHEN DER GEGENMUTTER KANN DAS GEWINDE DER NYLONSTELLSCHRAUBE BESCHÄDIGT WERDEN.

**ACHTUNG:** Wenn längere Schrauben (mindestes Sorte 5) zum Befestigen der Winde oder einer Rollenseilführung verwendet werden, muss die Schraubenlänge so ausgewählt werden, dass minimal 14 mm des Gewindes in die Bohrungen in den Seiten der Endlager eingreifen. Siehe Seite 49. Bei zu langen Schrauben kann die Winde beschädigt und der unbehinderte Freilauf der Trommel beeinträchtigt werden. Gleichmäßig auf 75 Nm festziehen.





## WARTUNG

1. Das Seil auf Beschädigungen überprüfen und regelmäßig schmieren. Ein ausgefranztes oder beschädigtes Seil muss sofort ersetzt werden.
2. Prüfen, ob die Kupplung vollständig einrückt. Siehe obige Anweisungen zum BETRIEB für den jeweiligen Kupplungshebel. NUR FÜR HANDBETÄTIGTE KUPPLUNGSHEBEL: Monatlich folgende Arbeit durchführen: Die Kupplung ausrücken, einige Tropfen Öl auf die Welle des Kupplungshebels geben und den Kupplungshebel mehrmals ein- und ausrücken, um die Innenseite der Baugruppe zu schmieren.
3. Prüfen, ob sich das Windenseil beim Freilauf verwickelt. Wenn das der Fall ist, die Schritte auf Seite 38 befolgen.
4. Wenn Schmierfett ausläuft, müssen die Trommelbuchsen und Dichtungen ersetzt werden. Siehe Überholungsanweisungen auf Seite 42-44. Falls notwendig, zusätzliches Mobilith SHC 007 auf Zahnräder und Trommellager auftragen.

## BETRIEB

Um mit der Funktion der Winde vertraut zu werden, sollten vor der tatsächlichen Verwendung Probeläufe durchgeführt werden. Probeläufe im Voraus planen. Die Winde beim Betrieb visuell und akustisch überwachen. Werden Sie mit den Geräuschen vertraut, die bei einem leichten konstanten Zug, schweren Zug und bei ruckartigen Bewegungen oder Verschiebungen der Last zu hören sind. Bedingungen, bei denen sich die Last verschiebt oder ruckartige Bewegungen vorkommen, vermeiden, da dies zu gefährlichen Situationen führen kann.

Ein ungleichmäßiges Spulen des Seils beim Ziehen der Last stellt kein Problem dar, außer wenn sich das Seil an einem Trommelende aufstaut. In diesem Fall muss die Winde reversiert werden, um die Last vom Seil zu nehmen, und der Ankerpunkt weiter zur Fahrzeugmitte verschoben werden. Nach Gebrauch kann die Winde abgespult und das Seil in sauberen Lagen aufgewickelt werden.

Beim Ziehen einer schweren Last ungefähr 1,5 bis 1,8 m hinter dem Haken eine Decke, einen Mantel oder eine Plane über das Seil legen. Falls ein beschädigtes Seil reißen sollte, wird der Rückprall des Seils dadurch gedämpft, und schwere Verletzungen können vermieden werden.

Die Windenkupplung ermöglicht ein schnelles Abspulen des Seils von der Seiltrommel zum Einhaken der Last. Die Kupplung wird über den Kupplungshebel oder pneumatischen Kupplungshebel betätigt.

### WARNUNG: DIE KUPPLUNG NICHT UNTER LAST AUSTRÜCKEN!

#### HANDBETÄTIGTER KUPPLUNGSHEBEL (siehe Maßzeichnung auf Seite 45):

**AUSRÜCKEN DER KUPPLUNG:** Die Winde im Rücklauf (Abwickelrichtung) laufen lassen, bis das Seil von der Last befreit ist. Den Hebelgriff herausziehen und um 90° drehen. Bei AUSGERÜCKTEM Kupplungshebel kann das Seil im Freilauf von der Trommel abgezogen werden.

**EINRÜCKEN DER KUPPLUNG:** Den Kupplungshebel herausziehen, um 90° drehen und den Hebel freigeben. Die Winde im Rücklauf laufen lassen, bis der Kupplungshebel ganz in der EINGERÜCKTEN Position eingerastet ist. Eine Last **NUR** einziehen, wenn sich der Kupplungshebel vollständig in der EINGERÜCKTEN Position befindet. Wenn ein Anzeiger für die handbetätigte Kupplung vorhanden ist, leuchtet bei vollständiger EINRÜCKUNG die grüne Lampe. Eine Last **NUR** ziehen, wenn die grüne Lampe leuchtet. Die Installation der Lampe in der Fahrzeugelektrik ist dem Elektroschaltplan auf Seite 46 zu entnehmen.

#### PNEUMATISCHER KUPPLUNGSHEBEL (siehe Maßzeichnung auf Seite 46):

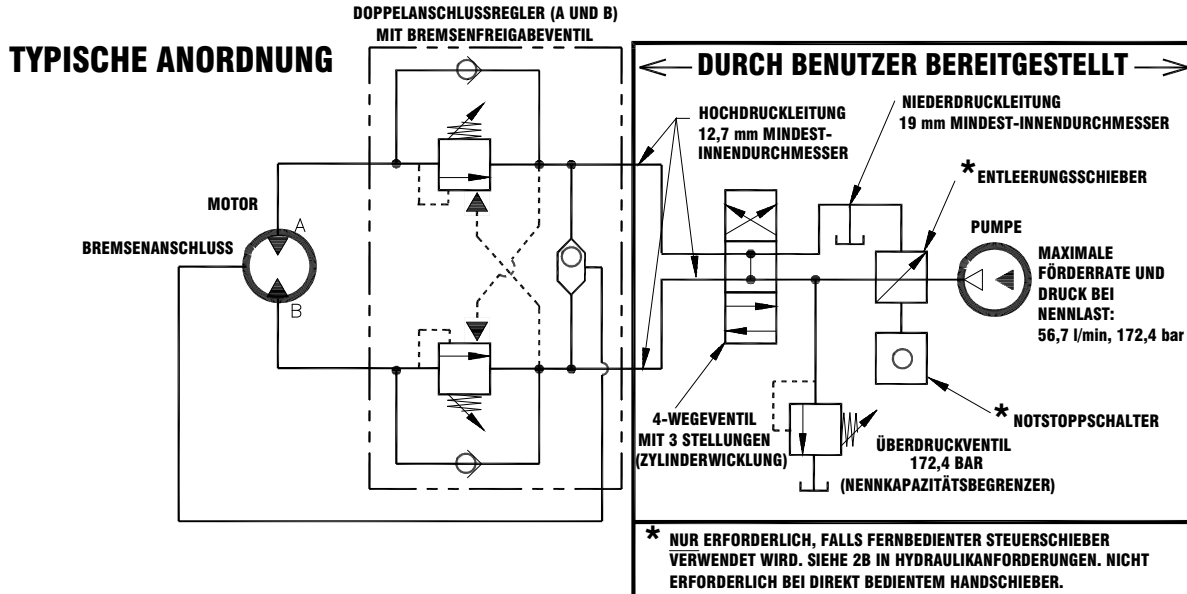
**AUSRÜCKEN DER KUPPLUNG:** Die Winde im Rücklauf (Abwickelrichtung) laufen lassen, bis das Seil von der Last befreit ist. An den 0,125-27 NPT-Anschluss Druckluft anlegen: 5,5 bar (min.) - 10,3 bar (max.). **ACHTUNG: DRUCK DARF 10,3 bar NICHT ÜBERSTIEGEN.**

**EINRÜCKEN DER KUPPLUNG:** Druck aus dem Zylinder ablassen (eine Rückholfeder aktiviert den Kolben). Die Winde im Rücklauf laufen lassen, bis die Einrück-Anzeigelampe der Kupplung grün leuchtet. Die Installation der Lampe in der Fahrzeugelektrik ist dem Elektroschaltplan auf Seite 46 zu entnehmen.

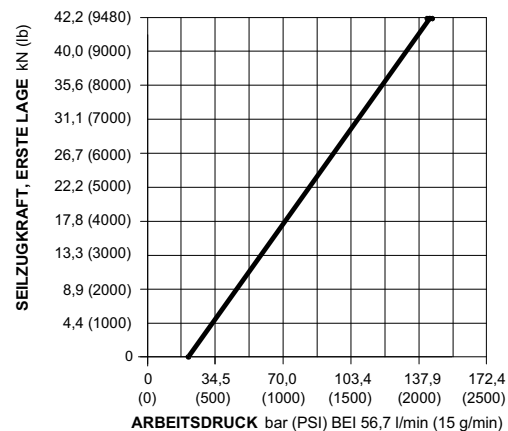
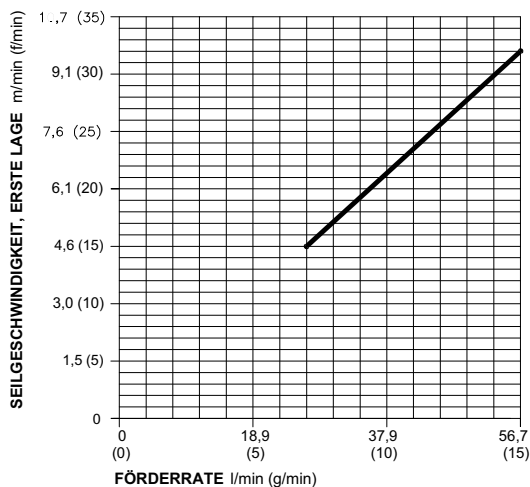
Zur richtigen Wahl der Hydraulik für die Leistung der Winde ist auf die folgenden Leistungsdiagramme Bezug zu nehmen. Die Diagramme zeigen: (1) Seilzugkraft (kN), erste Lage im Vergleich zum Arbeitsdruck (bar). (2) Seilgeschwindigkeit, erste Lage (m/min) im Vergleich zur Förderrate (l/min).

## HYDRAULIKANFORDERUNGEN

1. Wegeventil (Motor-Durchflusssystem) erforderlich
2. Notstopp:
  - A. Falls Winde durch einen direktbedienten Handschieber gesteuert wird, funktioniert dieser Schieber als Notstopp.
  - B. Wenn ein fernbedienter Steuerschieber verwendet wird, sind ein magnetgesteuerter hydraulischer Entleerungsschieber (normalerweise gegen den Tank geöffnet) und ein Notstoppschalter (zum Öffnen des Entleerungsschiebers) erforderlich. Der Notstoppschalter ist ein Öffnerkontakt und hat einen roten, rücksetzbaren Druckknopfschalter mit gelbem Hintergrund. Der Notstoppschalter muss für den Bediener einfach zugänglich sein.
3. Überdruckventil auf 144,7 bar eingestellt, entspricht dem Nennkapazitätsbegrenzer.
4. Maximale Förderrate von 56,7 l/min. 75,7 l/min nicht überschreiten, das ansonsten Motor und Winde beschädigt werden können.
5. Hydrauliköl mit einer Viskosität zwischen 20-43 cSt (100-200 SUS). Maximale Betriebstemperatur 85 °C. Sauberkeitsstufe ISO 17-14 oder besser.



## LEISTUNGSDIAGRAMME



BASIEREND AUF EINEM 408 cm<sup>3</sup> MOTOR



## FEHLERSUCHE

ZUSTAND	MÖGLICHE URSACHE	ABHILFE/MASSNAHME
TROMMEL DREHT SICH NICHT - OHNE LAST	Winde nicht gerade montiert, wodurch das Endlager eingeklemmt wird.	Zusammenbau überprüfen. Siehe Installation der Winde auf Seite 38.
	Zahnräder beschädigt.	Beschädigte Zahnräder inspizieren und ggf. ersetzen.
TROMMEL DREHT SICH NICHT - MIT LAST	Winde nicht gerade montiert, wodurch das Endlager eingeklemmt wird.	Zusammenbau überprüfen. Siehe Installation der Winde auf Seite 38.
	Last ist höher als die Nennkapazität der Winde.	Die nominale Seilzugkraft ist den technischen Daten auf Seite 37 zu entnehmen.
	Niedriger Hydraulikdruck.	Siehe Hydraulik-Leistungsdiagramme auf Seite 40.
DIE WINDE LÄUFT ZU LANGSAM	Niedrige Hydraulikförderrate.	Förderrate überprüfen. Siehe Systemvoraussetzungen und typische Anordnung auf Seite 40.
	Motor ist abgenutzt.	Motor ersetzen.
KEIN FREILAUF AN DER TROMMEL	Kupplung nicht ausgerückt. Einstellung der handbetätigten Kupplung überprüfen (siehe Seite 43).	Funktion überprüfen (siehe Seite 39).
	Winde nicht gerade montiert, wodurch das Endlager eingeklemmt wird.	Zusammenbau überprüfen. Siehe Installation der Winde auf Seite 38.
	Seitliche Befestigungsschrauben sind zu lang und verursachen eine Einklemmung des Hohlrads (Nr. 15, Seite 48).	Schraubenlänge überprüfen. Das Schraubengewinde DARF NICHT mehr als 12,7-17,5 mm in die Gewindebohrungen in den Seiten des Endlagers eingreifen.
BREMSE HÄLT NICHT	Falsches Wegeventil (Zylinderwicklung - Durchflusssystem).	Nur ein Durchfluss-Wegeventil (Motorwicklung) verwenden.
DIE LAST VERSCHIEBT SICH	Zu hoher Gegendruck (max. 6,9 bar).	Hydrauliksystem auf Blockierungen überprüfen. Siehe Systemvoraussetzungen und typische Anordnung auf Seite 40.
SEIL VERWICKELT SICH BEI AUSGERÜCKTER KUPPLUNG	Widerstandsschraube falsch eingestellt.	Die Nylon-Widerstandsschraube justieren. Siehe Installation des Seils auf Seite 38.
STARKE GERÄUSCHE	Hydraulikförderrate zu hoch.	Förderrate überprüfen. Siehe typische Anordnung auf Seite 40.
	Trommel klemmt, da Winde nicht gerade montiert ist.	Zusammenbau überprüfen. Siehe Installation der Winde auf Seite 38.
TROMMEL RATTERT, IN AUFWICKELRICHTUNG	Niedrige Hydraulikförderrate.	Förderrate überprüfen. Siehe typische Anordnung auf Seite 6.
	Zu niedrige Hydrauliküberdruckeinstellung.	Einstellung des Überdruckventils überprüfen.
ÖLLECK AUS DEM ENTLÜFTER UNTER DEM MOTORENDLAGER	O-Ringe der Bremse, Stützringe oder Dichtflächen beschädigt.	Die Bremse demontieren und überprüfen. Siehe Überholungsanweisungen auf Seite 42.

## AUSSERBETRIEBSETZUNG

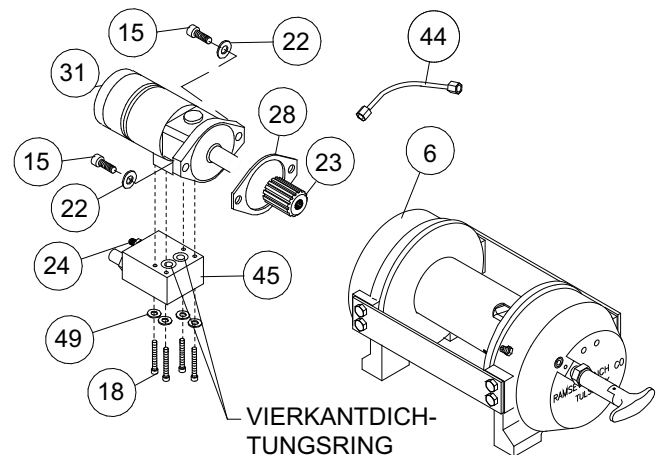
Die Winde am Ende ihrer Brauchbarkeitszeit gemäß örtlichen Umweltvorschriften entsorgen.

## ÜBERHOLUNGSANWEISUNGEN FÜR DIE WINDEN DER MODELLREIHE RPH 42,2

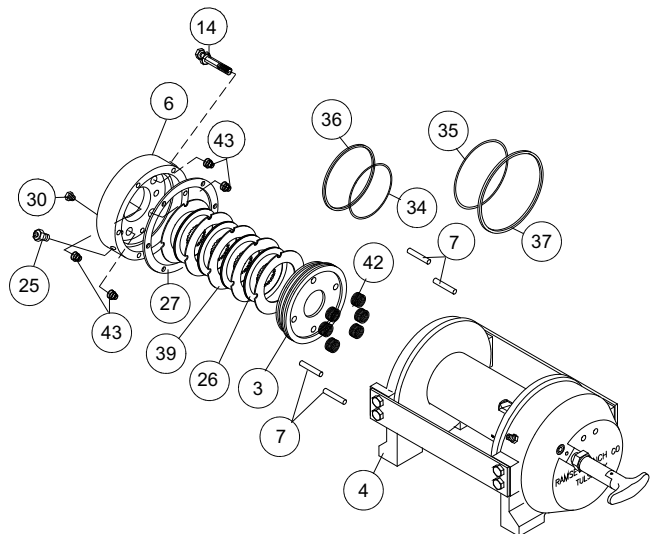
**Auf die Zusammensetzung der Teile achten, damit diese wieder richtig zusammgebaut werden. Alle Dichtringe, O-Ringe und Dichtungen müssen beim Wiederausammenbau ersetzt werden.**

Das Rohr (Nr. 44) aus den Kniestücken (Nr. 24) am Boden der Bremse (Nr. 6) und des Ventils (Nr. 45) trennen. Den Motor (Nr. 31) aus dem Bremsengehäuse (Nr. 6) ausbauen. Dazu die Kopfschrauben (Nr. 15) entfernen. Zum Lösen leicht auf den Motor klopfen. Alle Dichtringe, O-Ringe und Dichtungen müssen beim Wiederausammenbau ersetzt werden.

Die Kupplung (Nr. 23) aus dem Bremsengehäuse ausbauen. Die Kupplung auf Anzeichen von Verschleiß prüfen und bei Bedarf ersetzen. Falls notwendig das Ventil (Nr. 45) aus dem Motor ausbauen. Dazu die Kopfschrauben (Nr. 18) und die Sicherungsscheiben (Nr. 49) entfernen. Beim Ausbau des Ventils darauf achten, dass die zwei Vierkantdichtungsringe in ihren Senkbohrungen im Ventil bleiben.



Zum Ausbau des Bremsengehäuses (Nr. 6) aus dem Endlager (Nr. 4) die sechs (6) Kopfschrauben (Nr. 14) über Kreuz (jeweils 2 Drehungen) lösen, bis alle Kopfschrauben vom Bremsengehäuse entfernt sind. Die Bremsenteile aus dem Bremsengehäuse ausbauen. Die Bremsenscheiben (Nr. 26) auf Anzeichen von Verschleiß überprüfen und bei Bedarf ersetzen. Die O-Ringe (Nr. 34 und 35) und die Stützringe (Nr. 36 und 37) auf Anzeichen von Verschleiß überprüfen. Die O-Ringe und Stützringe aus den Rillen im Bremskolben (Nr. 3) entfernen.

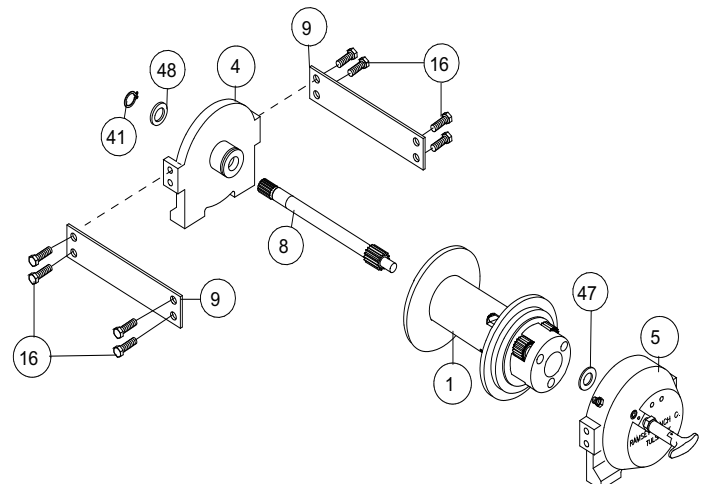


Die Federn (Nr. 42 und 43) entfernen, auf Beschädigungen überprüfen und bei Bedarf ersetzen.

Die Verschraubungen (Nr. 30) überprüfen, deren guten Zustand bestätigen und bei Bedarf ersetzen.

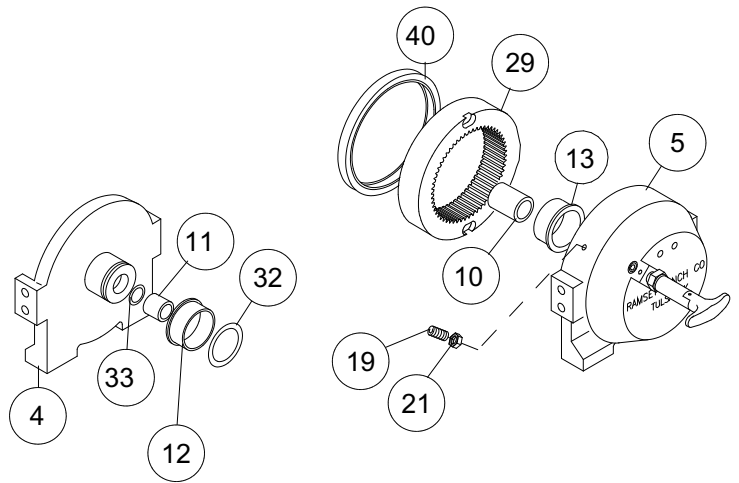
Durch Entfernen der Kopfschrauben (Nr. 16) die Verbindungsplatten (Nr. 9) aus den Endlagern (Nr. 4 und 5) ausbauen. Den Sprengring (Nr. 41) und die Anlaufscheibe (Nr. 48) von der Welle abziehen. Das Motorendlager (Nr. 4) aus der Trommel (Nr. 1) und die Trommel aus dem Getriebekasten-Endlager (Nr. 5) ziehen.

Die Antriebswelle (Nr. 8) und die Anlaufscheibe (Nr. 47) vom Endlager abziehen. Die Zahnradzähne und Wellenkeile auf Anzeichen von Verschleiß überprüfen. Wenn Beschädigungen vorliegen, muss die Welle ersetzt werden.



Den O-Ring (Nr. 32) und die Buchse (Nr. 12) von der Außenseite des Motorendlagers (Nr. 4), den O-Ring (Nr. 33) und das Lager (Nr. 11) von der Innenseite des Motorendlagers (Nr. 4) abnehmen. Einen neuen, gut geölte O-Ring (Nr. 33) in die Rille im Endlager drücken und das neue Lager (Nr. 11) in das Endlager pressen. Die Buchse (Nr. 12) auf das Endlager pressen, den O-Ring (Nr. 32) in Öl eintauchen und in die Rille des Endlagers einpressen.

Die Dichtung (Nr. 40) aus dem Getriebekasten-Endlager (Nr. 5) ausbauen. Die Mutter (Nr. 21) lösen und die Nylonstellschraube (Nr. 18) und das Hohlrad (Nr. 29) vom Getriebekasten-Endlager abnehmen (falls notwendig). Die Buchse (Nr. 13) und das Lager (Nr. 10) aus dem Getriebekasten-Endlager (Nr. 5) ausbauen. Die neue Buchse (Nr. 13) und das Lager (Nr. 10) in das Endlager pressen. Hohlrad, Nylonstellschraube und Mutter wieder anbringen. Das Hohlrad muss vollständig im Getriebekasten-Endlager (Nr. 5) sitzen und der Schlitz im Hohlrad DARF NICHT auf das Loch des Kupplungshebels ausgerichtet sein. Eine neue Dichtung in das Getriebekasten-Endlager einbauen, wobei die scharfe Kante der Dichtung nach außen gerichtet sein muss.



Reichlich Schmierfett (MOBILITH SHC 007) auf die Zähne des Hohlrads (Nr. 29), die Zähne des Planetenrads in der Trommel (Nr. 1) und die Buchse im Getriebekasten-Endlager (Nr. 5) auftragen. Eine kleine Menge Schmierfett auf den Boden der Buchse auf dem Motorendlager (Nr. 4) auftragen. Auf die Zähne des Zahnrad und das kurze Wellenende (Nr. 8) Schmierfett auftragen. Das zahnradseitige Ende der Welle durch die Anlaufscheibe (Nr. 47) und in das Lager im Endlager (Nr. 5) schieben. Die Trommel auf die Welle setzen und die Trommel drehen, um die Planetenräder mit dem Abtriebszahnrad auf der Welle und dem Hohlrad im Endlager in Eingriff zu bringen.

Das Motorendlager (Nr. 4) an die Trommelbaugruppe anbauen und die Verbindungsplatten (Nr. 9) und Kopschrauben (Nr. 16) anbringen, um beide Endlager zusammenzuhalten. Die Kopschrauben auf 75 Nm festziehen. Die Anlaufscheiben (Nr. 48) auf die Welle und bis an das Endlager (Nr. 4) schieben. Den Sprengring (Nr. 41) in die Rille im Keilende der Welle drücken.

Falls erforderlich, die Kupplungshebelbaugruppe (Nr. 2 oder 3) wie folgt ausbauen und ersetzen:

### MANUAL CLUTCH SHIFTER ASSEMBLY

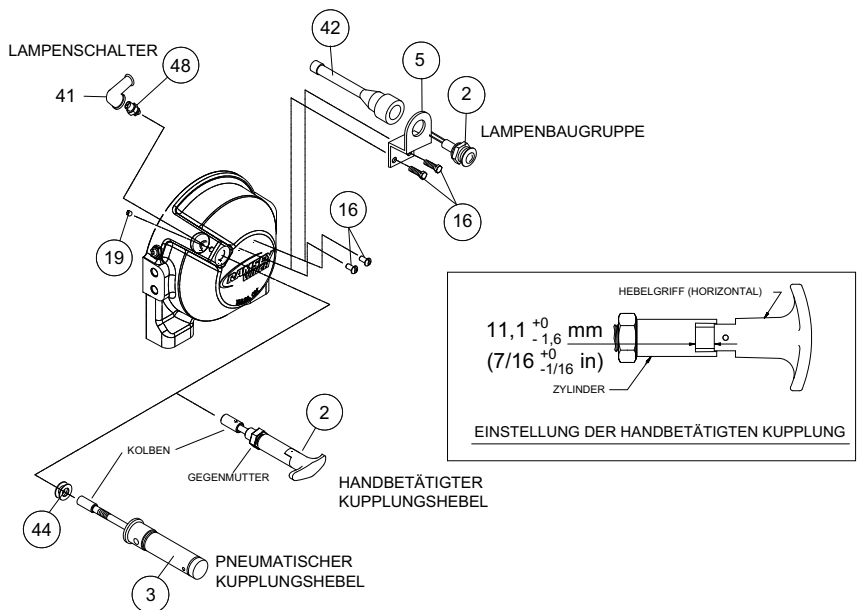
Die Stellschraube (Nr. 19) und Gegenmutter lösen und die Baugruppe des handbetätigten Kupplungshebels (Nr. 2) abschrauben. Darauf achten, dass der Schlitz im Hohlrad nicht auf das Loch im Kupplungshebel ausgerichtet ist. Falls notwendig, die Trommel drehen, damit das Loch und der Schlitz nicht aufeinander ausgerichtet sind.

Die Kupplungshebelbaugruppe mit Kolben und Gegenmutter einbauen, wobei der Hebelgriff wie unten gezeigt im Getriebekasten positioniert sein muss. Die Baugruppe (bei in den Zylinderschlitz eingreifendem Griff) in den Getriebekasten schrauben. Die Trommel in Richtung Getriebe-Endlager-Gehäuse ziehen, um jegliches Spiel zu entfernen. Die Trommel festhalten und den Kupplungshebel weiter einschrauben, bis der Spalt zwischen dem Ende des Griffes und dem Zylinder  $11,1 \text{ mm }^{+0,0}_{-1,6}$  beträgt und der Hebelgriff horizontal steht (siehe unten). **Anmerkung:** Dieser Spalt ist je nach dem Axialspiel der Trommel unterschiedlich. Bei ganz gegen den Motorkasten gezogener Trommel sollte der Spalt 10 mm breit sein.

Die Gegenmutter leicht anziehen. Die Trommel drehen, bis der Hebelgriff vollständig in der eingerückten Position einrastet. Den Hebelgriff herausziehen und um 90° drehen. Während sich der Kupplungshebel in der AUSGERÜCKTEN Stellung befindet, überprüfen, ob sich die Trommel unbehindert drehen lässt (mindestens eine volle Umdrehung). Den Hebelgriff festhalten und die Gegenmutter festziehen. Die Stellschraube (Nr. 19) festziehen. Die Funktion der Kupplung gemäß den Anweisungen auf Seite 39 nachprüfen.

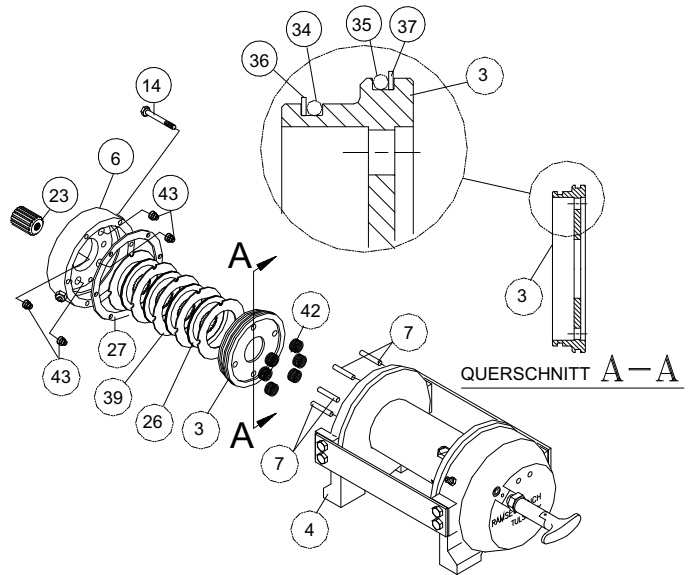
### PNEUMATISCHER KUPPLUNGSHABEL

Die Stellschraube (Nr. 19) lösen, um die Kupplungshebelbaugruppe (Nr. 3) zu entfernen. Zum Wiedereinbau 1 oder 2 Passscheiben (Nr. 44) auf den Kolben legen und die Kupplungshebelbaugruppe in den Getriebekasten schrauben. Je nach Bedarf Passscheiben hinzufügen oder entfernen, um die Baugruppe für die Druckluftanschlüsse auszurichten. Die Anschlüsse sollten nach unten zeigen (unterhalb der Horizontalebene). Die Stellschraube festziehen. Die Funktion der Kupplung gemäß den Anweisungen auf Seite 39 prüfen. Wenn die Lampe (Nr. 2) oder der Lampenschalter (Nr. 48) ersetzt werden müssen, auf das Anschlussdiagramm auf Seite 46 Bezug nehmen und wie gezeigt demontieren und wieder einbauen.



Die Winde so auf den Getriebekasten setzen, dass das Motorendlager (Nr. 4) oben ist. Sechs (6) Federn (Nr. 42) wie gezeigt in die Taschen im Motorendlager (Nr. 4) stecken und die oberste und unterste Tasche frei lassen. Die Kupplung (Nr. 23) auf das Keilende der Welle (Nr. 8) schieben. Vier (4) Bremsbolzen (Nr. 7) in die vier (4) Bohrungen im Motorendlager stecken. Die gut geölten O-Ringe (Nr. 34 und 35) und Stützringe (Nr. 36 und 37) in die außenliegenden Rillen des Kolbens (Nr. 3) drücken. In beiden Fällen die O-Ringe in die Rillen einsetzen, die der Kolbenmitte am nächsten liegen. Siehe QUERSCHNITT A-A unten.

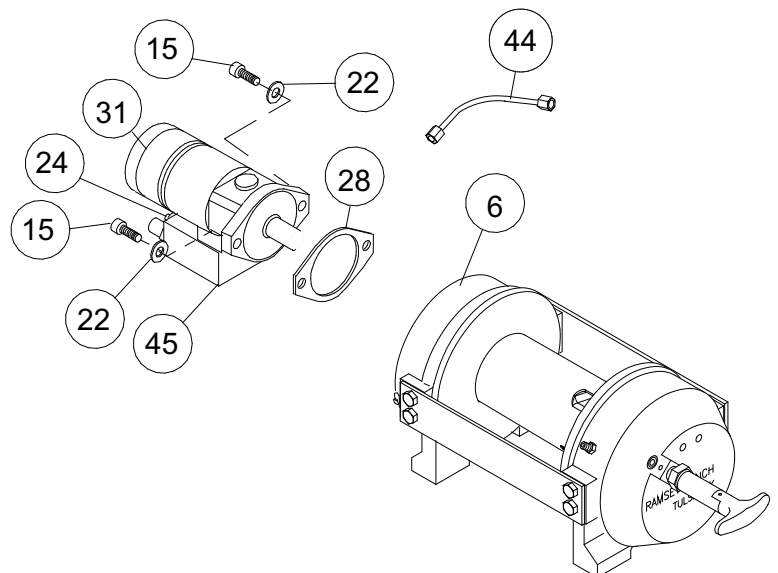
Kolben (Nr. 3), Bremsscheibe (Nr. 26) und Trennplatten (Nr. 39) müssen sauber und frei von Schmierfett und Öl sein. Den Kolben (Nr. 7) auf die Federn (Nr. 42) setzen. Die Trennplatten (Nr. 39) und die Bremsscheiben wie unten gezeigt abwechselnd auf den Kolben aufbringen. Das weitere Ende (4) der Federn (Nr. 43) in die Taschen im Bremsengehäuse (Nr. 6) stecken. Den Dichtring (Nr. 27) auf das Endlager (Nr. 4) legen. Das Bremsengehäuse auf die Bremsenteile setzen, wobei die Anschlussverschraubungen nach unten zu den Montagefüßen gerichtet sein müssen. Die Montagebohrungen ausrichten und das Bremsengehäuse auf das Endlager (Nr. 4) pressen. Etwas 271 Loc-tite auf die 6 Kopfschrauben (Nr. 14) auftragen, die Schrauben handfest anziehen, sodass sie oberflächenbündig mit dem Bremsengehäuse abschließen. Die Kopfschrauben über Kreuz (jeweils 2 Umdrehungen) auf 41 Nm pro Kopfschraube festziehen.

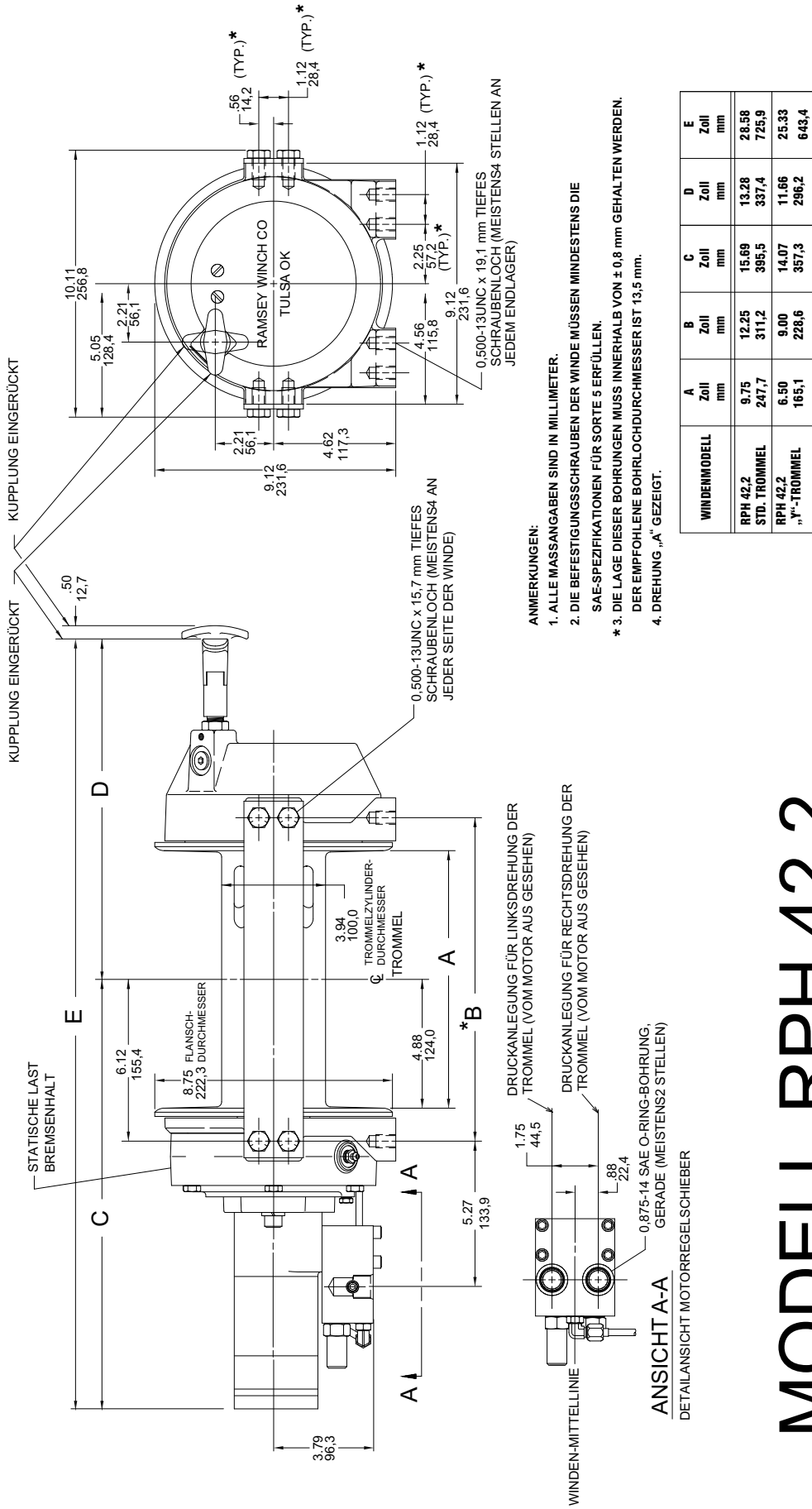


Den Dichtring (Nr. 28) auf die Anbaufläche des Motors (Nr. 31) legen. Die Motorwelle in die Kupplung schieben und den Motor am Bremsengehäuse (Nr. 6) befestigen. Zwei (2) Kopfschrauben (Nr. 15) mit Sicherungsscheiben (Nr. 22) anbringen und auf 118 Nm festziehen.

Das Rohr (Nr. 44) sicher am Kniestück (Nr. 24), im Ventil (Nr. 45) und unten im Bremsengehäuse (Nr. 6) anschließen.

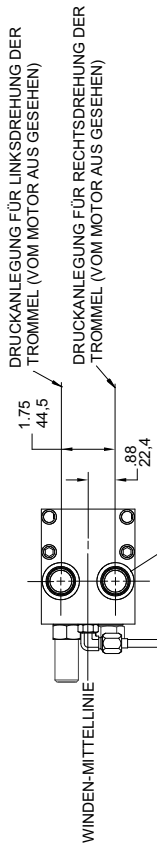
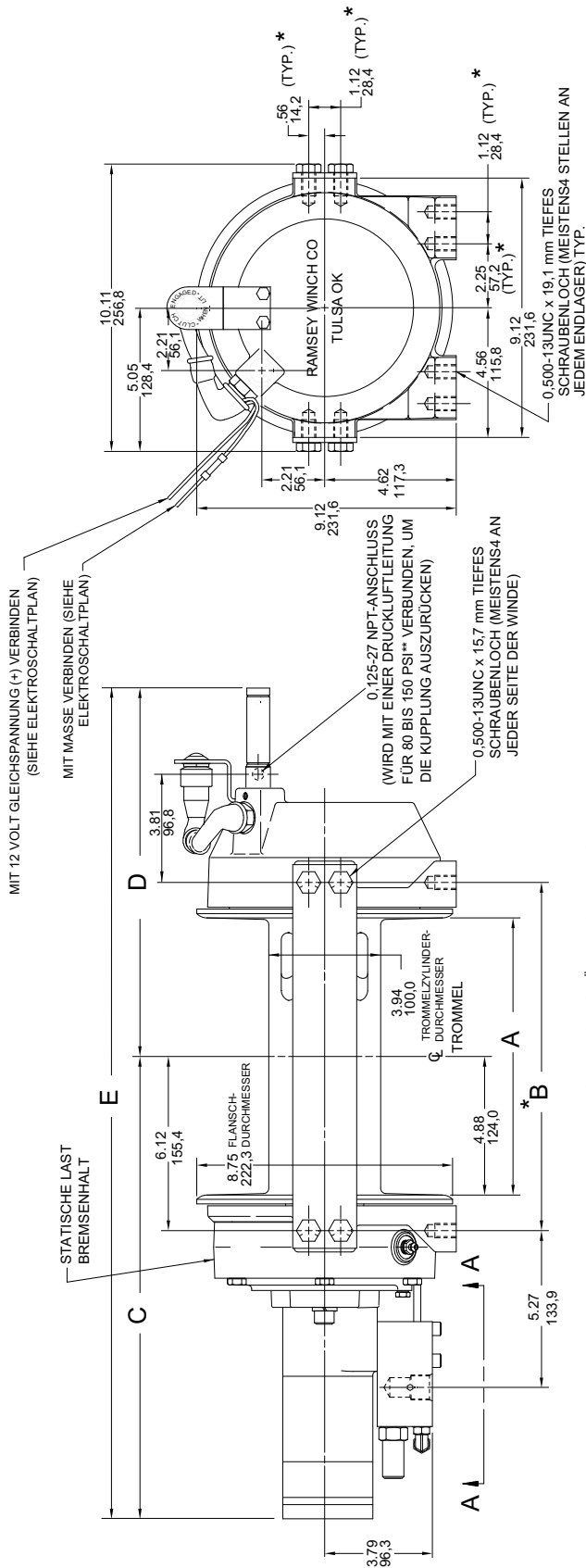
Mindestens 37,9 bar Hydraulikdruck anlegen, um die Bremse zu lösen, und durch Beobachten der Seiltrommeldrehung prüfen, ob sich die Bremse löst.





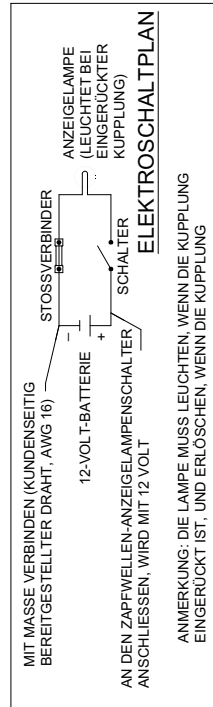
# MODELL RPH 42,2

MIT HANDBETÄTIGTEM KUPPLUNGSHEBEL



### ANSICHT A-A

DETAILANSICHT MOTORREGELSCHIEBER \*\*ACHTUNG:-DRUCK DARF 10,3 bar NICHT ÜBERSTEIGEN



### ANMERKUNGEN:

1. ALLE MASSANGABEN SIND IN MILLIMETER.

2. DIE BEFESTIGUNGSSCHRAUBEN DER WINDE MÜSSEN MINDESTENS DIE SAE-SPEZIFIKATIONEN FÜR SORTIE 5 ERFÜLLEN.

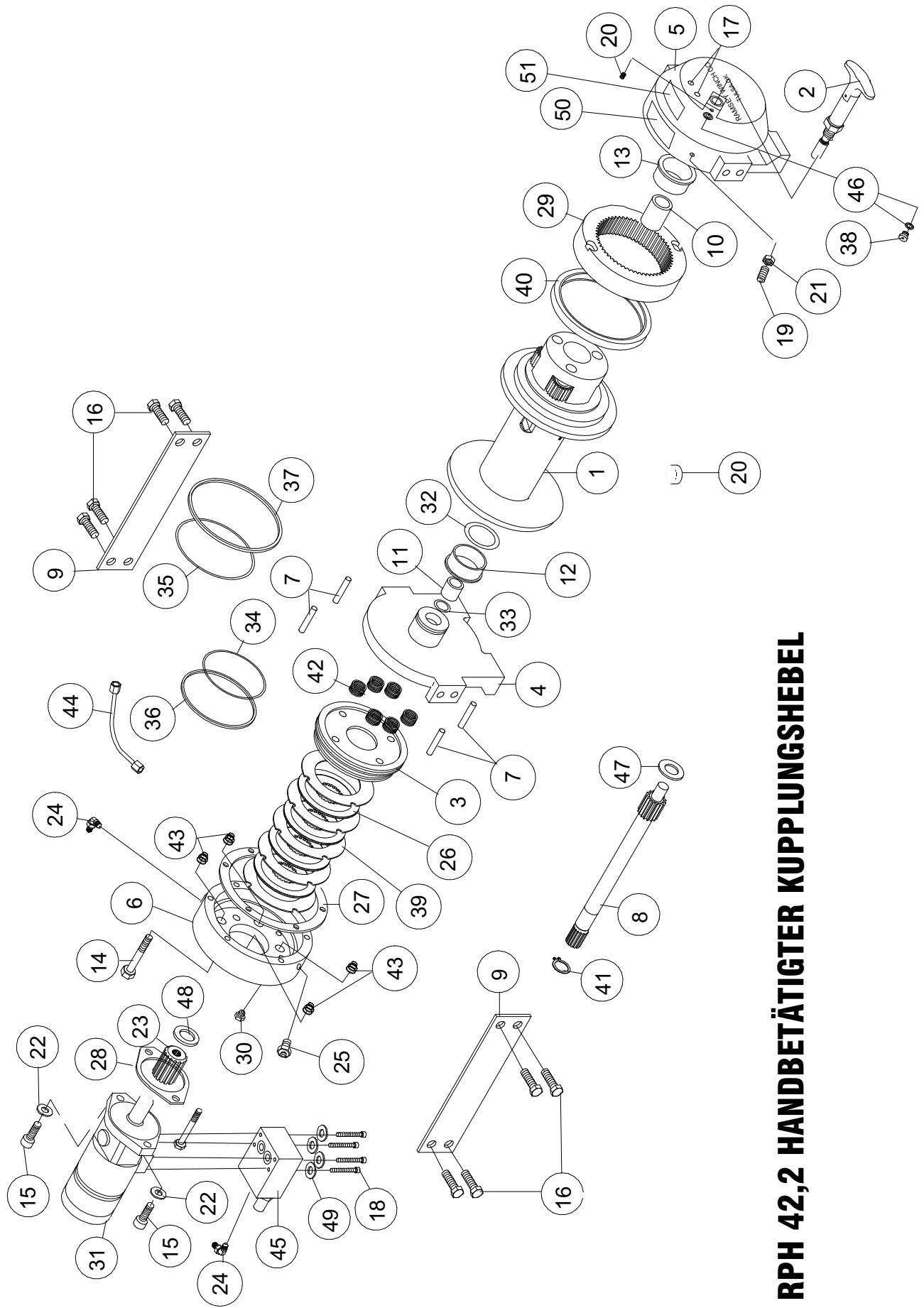
\* 3. DIE LAGE DIESER BOHRUNGEN MUSS INNERHALB VON  $\pm 0,8$  mm GEHALTEN WERDEN. DER EMPFOHLENE BOHRLOCHDURCHMESSER IST 13,5 mm.

DREHUNG „A“ GEZEIGT.

WINDENMODELL	A Zoll mm	B Zoll mm	C Zoll mm	D Zoll mm	E Zoll mm
RPH 42,2	9.75 247,7	12.25 311,2	15.69 395,5	13.28 337,4	28.58 725,9
STD. TROMMEL					
RPH 42,2 „Y“-TROMMEL	6.50 165,1	9.00 228,6	14.07 357,3	11.66 296,2	25.33 643,4

# MODELL RPH 42,2

MIT PNEUMATISCHEM KUPPLUNGSSHEBEL

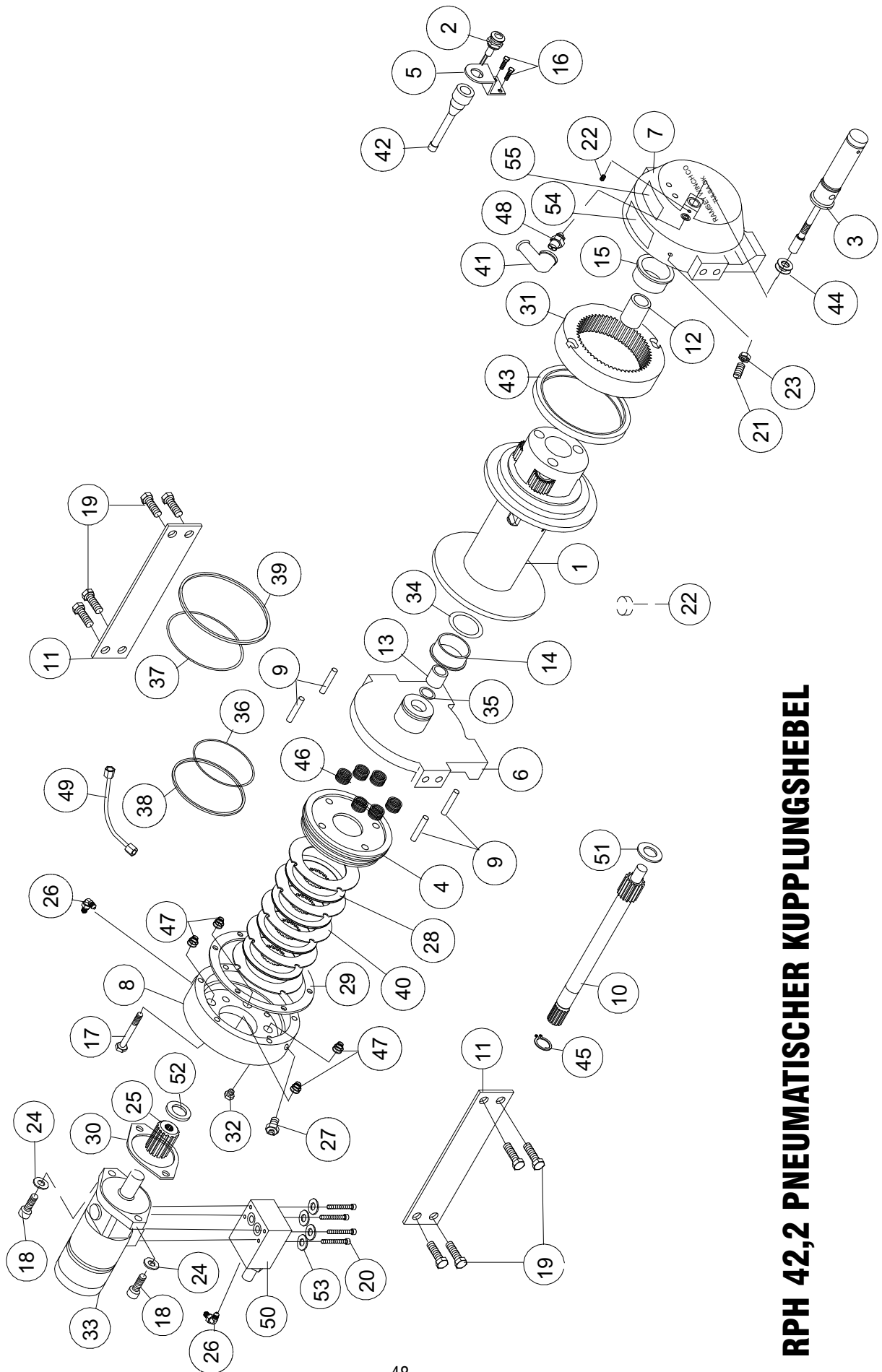


**RPH 42,2 HANDBETÄTIGTER KUPPLUNGSEBEL**

## TEILELISTE FÜR RPH 42,2 MIT HANDBETÄTIGTEM KUPPLUNGSEBEL

LFD. NR.	ANZ.	TEILE-NR.	BESCHREIBUNG
1	1	234229	TROMMELBAUGRUPPE, STD.
	1	234230	TROMMELBAUGRUPPE, „Y“
2	1	276052	KUPPLUNGSEBELBAUGRUPPE, HANDBETÄTIGT
3	1	306042	KOLBEN - BREMSE
4	1	338300	ENDLAGER - MOTOR
5	1	338301	ENDLAGER - GETRIEBEKASTEN
6	1	338302	GEHÄUSE - BREMSE
7	4	346045	BOLZEN - BREMSE
8	1	357504	WELLE - ANTRIEB/SONNENRAD, STD.
	1	357536	WELLE - ANTRIEB/SONNENRAD, „Y“
9	2	395427	VERBINDUNGSPLATTE, STD.
	2	395426	VERBINDUNGSPLATTE, „Y“
10	1	402120	LAGER - GETRIEBEKASTEN
11	1	402121	LAGER - MOTOR- ENDLAGER
12	1	412084	BUCHSE - TROMMEL(MOTORSEITIG)
13	1	412085	BUCHSE - TROMMEL (GETRIEBEKASTENSEITIG)
14	6	414303	KOPFSCHRAUBE - 3/8-16NC x 63 mm LANG, SECHSKANT, SORTE 5, PLATTIERT
15	2	414952	KOPFSCHRAUBE - 1/2-13NC x 38 mm LANG, INBUS
16	8	414581	KOPFSCHRAUBE - 1/2-13NC x 19 mm LANG, SECHSKANT, SORTE 5, PLATTIERT
17	2	414854	KOPFSCHRAUBE 1/4-20NC X 13 mm LANG, RUNDKOPF, GESCHLITZT, PLATTIERT
18	4	414159	KOPFSCHRAUBE - 5/16-18NC x 38 mm LANG, SECHSKANT, SORTE 5, VERZINKT
	4	414147	KOPFSCHRAUBE - 5/16-18NC x 89 mm LANG, SECHSKANT, SORTE 5, VERZINKT (SEITLICHE ANSCHLÜSSE)
19	1	414926	STELLSCHRAUBE - 3/8-16NC x 25 mm LANG, INBUS, NYLON
20	1	315008	SEILANKER
21	1	418036	MUTTER - 3/8-16NC, SECHSKANT, GEGENMUTTER
22	2	418218	SICHERUNGSSCHEIBE - 1/2 ID, GETEILT
23	1	431015	KUPPLUNG - MOTOR
24	2	432018	VERSCHRAUBUNG - 7/16, KNIESTÜCK
25			NICHT VERWENDET
26	4	438022	SCHEIBE - BREMSE
27	1	442220	DICHTRING - BREMSE
28	1	442223	DICHTRING - MOTOR
29	1	444085	HOHLRAD
30	1	456038	ENTLÜFTERVERTIL
31	1	458079	MOTOR - HYDRAULIK
32	1	462046	O-RING (TROMMEL)
33	1	462056	O-RING
34	1	462057	O-RING
35	1	462058	O-RING
36	1	462059	O-RING, STÜTZRING
37	1	462060	O-RING, STÜTZRING
38	1	472052	VERSCHLUSSSCHRAUBE/STOPFEN
39	5	474111	TRENNPLATTE
40	1	486080	DICHTUNG - GETRIEBEKASTEN
41	1	490037	SEEGERRING
42	6	494110	FEDER - BREMSE
43	4	494112	FEDER
44	1	509143	ROHR, KOMPLETT - ANSCHLÜSSE NACH OBEN
	1	509144	ROHR, KOMPLETT - SEITLICHE ANSCHLÜSSE
45	1	516051	SCHIEBER - MOTORSTEUERUNG (DREHRICHTUNG A)
	1	516052	SCHIEBER - MOTORSTEUERUNG (DREHRICHTUNG B)
	1	516053	SCHIEBER - MOTORSTEUERUNG (DREHRICHTUNG A/SEITLICHE ANSCHLÜSSE)
46	1	518037	ANLAUFSCHLEIBE
47	1	518047	ANLAUFSCHLEIBE
48	1	518052	ANLAUFSCHLEIBE
49	4	418163	SICHERUNGSSCHEIBE - 5/16, GETEILT, VERZINKT
50	1	434570	NAMENSSCHILD
51	1	434235	SCHILD - DREHRICHTUNG „A“
	1		SCHILD - DREHRICHTUNG „B“





**RPH 42,2 PNEUMATISCHER KUPPLUNGSEBEL**

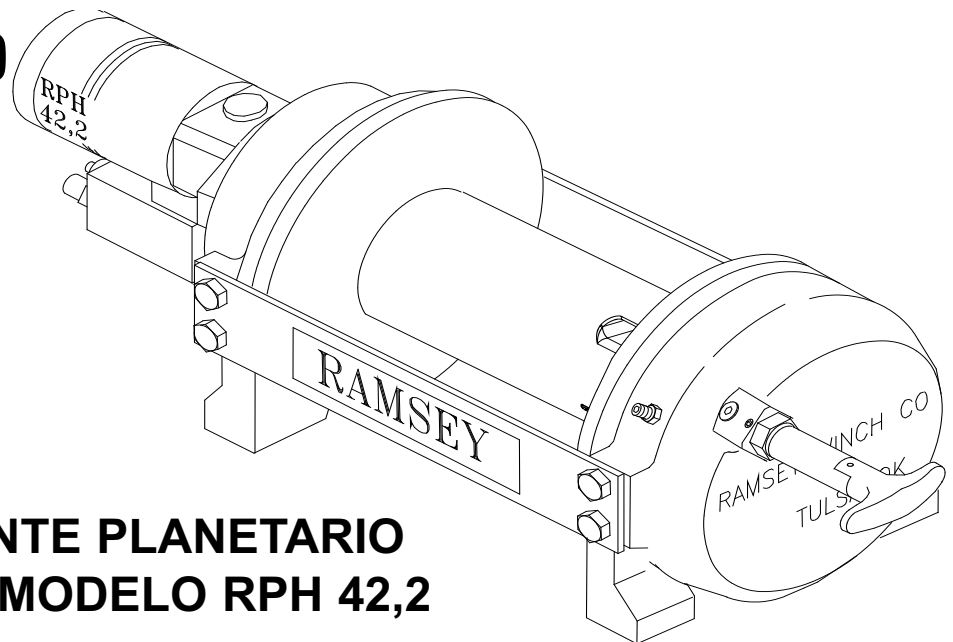
## TEILELISTE FÜR RPH 42,2 MIT PNEUMATISCHEM KUPPLUNGSEBEL

LFD. NR.	ANZ.	TEILE-NR.	BESCHREIBUNG
1	1	234229	TROMMELBAUGRUPPE, STD.
	1	234230	TROMMELBAUGRUPPE, „Y“
2	1	236020	LAMPENBAUGRUPPE
3	1	276053	KUPPLUNGSEBELBAUGRUPPE, PNEUMATISCH
4	1	306042	KOLBEN - BREMSE
5	1	312529	HALTERUNG - LAMPE
6	1	338300	ENDLAGER - MOTOR
7	1	338301	ENDLAGER - GETRIEBEKASTEN
8	1	338302	GEHÄUSE - BREMSE
9	4	346045	BOLZEN - BREMSE
10	1	357504	WELLE - ANTRIEB/SONNENRAD, STD.
	1	357536	WELLE - ANTRIEB/SONNENRAD, „Y“
11	2	395427	VERBINDUNGSPLATTE, STD.
	2	395426	VERBINDUNGSPLATTE, „Y“
12	1	402120	LAGER - GETRIEBEKASTEN
13	1	402121	LAGER - MOTOR- ENDLAGER
14	1	412084	BUCHSE - TROMMEL(MOTORSEITIG)
15	1	412085	BUCHSE - TROMMEL (GETRIEBEKASTENSEITIG)
16	2	414036	KOPFSCHRAUBE - 1/4-20NC x 13 mm LANG
17	6	414303	KOPFSCHRAUBE - 3/8-16NC x 63 mm LANG, SECHSKANT, SORTE 5, PLATTIERT
18	2	414952	KOPFSCHRAUBE - 1/2-13NC x 38 mm LANG, INBUS
19	8	414581	KOPFSCHRAUBE - 1/2-13NC x 19 mm LANG, SECHSKANT, SORTE 5, PLATTIERT
20	4	414159	KOPFSCHRAUBE - 5/16-18NC X 38 mm LANG, SECHSKANT, SORTE 5, VERZINKT
	4	414147	KOPFSCHRAUBE - 5/16-18NC X 89 mm LANG, SECHSKANT, SORTE 5, VERZINKT (SEITLICHE ANSCHLÜSSE)
21	1	414926	STELLSCHRAUBE - 3/8-16NC x 25 mm LANG, INBUS, NYLON
22	1	315008	SEILANKER
23	1	418036	MUTTER - 3/8-16NC, SECHSKANT, GEGENMUTTER
24	2	418218	SICHERUNGSSCHEIBE - 1/2 ID, GETEILT
25	1	431015	KUPPLUNG - MOTOR
26	2	432018	VERSCHRAUBUNG - 7/16, KNIESTÜCK
27			NICHT VERWENDET
28	4	438022	SCHEIBE - BREMSE
29	1	442220	DICHTRING - BREMSE
30	1	442223	DICHTRING - MOTOR
31	1	444085	HOHLRAD
32	1	456038	ENTLÜFTERVERTIL
33	1	458079	MOTOR - HYDRAULIK
34	1	462046	O-RING (TROMMEL)
35	1	462056	O-RING
36	1	462057	O-RING
37	1	462058	O-RING
38	1	462059	O-RING, STÜTZRING
39	1	462060	O-RING, STÜTZRING
40	5	474111	TRENNPLATTE
41	1	482013	MANSCHETTE
42	1	482045	MANSCHETTE
43	1	486080	DICHTUNG - GETRIEBEKASTEN
44	2	488007	PASSSCHEIBE
45	1	490037	SEEGERRING
46	6	494110	FEDER - BREMSE
47	4	494112	FEDER
48	1	504021	SCHALTER
49	1	509143	ROHR, KOMPLETT - ANSCHLÜSSE NACH OBEN
	1	509144	ROHR, KOMPLETT - SEITLICHE ANSCHLÜSSE
50	1	516051	SCHIEBER - MOTORSTEUERUNG (DREHRICHTUNG A)
	1	516052	SCHIEBER - MOTORSTEUERUNG (DREHRICHTUNG B)
	1	516053	SCHIEBER - MOTORSTEUERUNG (DREHRICHTUNG A /SEITLICHE ANSCHLÜSSE)
51	1	518047	ANLAUFSCHIEBE
52	1	518052	ANLAUFSCHIEBE
53	4	418163	SICHERUNGSSCHEIBE - 5/16, GETEILT, VERZINKT
54	1	434570	NAMENSSCHILD
55	1	434235	SCHILD – DREHRICHTUNG „A“
	1	434236	SCHILD – DREHRICHTUNG „B“



# MANUAL DE FUNCIONAMIENTO, REPARACIÓN Y MANTENIMIENTO

English (Original Instructions) .....	1
Français (Traduction des instructions originales) ..	18
Deutsch (Übersetzung der Originalanleitung) .....	34
Español(Traducción de las instrucciones originales).	50



## CABESTRANTE PLANETARIO INDUSTRIAL MODELO RPH 42,2

**USO PRETENDIDO PARA: RECUPERACIÓN DE VEHÍCULOS Y ARRASTRE DE CARGAS**



**PRECAUCIÓN: LEER Y ENTENDER ESTE MANUAL ANTES DE INSTALAR Y OPERAR EL CABESTRANTE. OBSERVAR LAS ADVERTENCIAS.**

### **Ramsey Winch Company**

P.O. Box 581510 - Tulsa, OK 74158-1510 EE.UU  
Teléfono: + 1 918 438-2760 - Fax: +1 918 438-6688  
Visítenos en <http://www.ramsey.com>

**Ramsey Representante autorizado en la comunidad:  
(Póngase en contacto sólo por cuestiones de reglamentación.)**

Alura Group BV  
P.O. Box 18626  
2502 EP The Hague  
The Netherlands  
Tel: (31) (0) 70 362-4896  
Fax: (31) (0) 70 346-7299

OM-914212-1012-B

## CONTENIDO

INTRODUCCIÓN .....	54
RESPONSABILIDAD DEL USUARIO PARA EL CUMPLIMIENTO CON LAS DISPOSICIONES CE .....	54
ESPECIFICACIONES .....	54
ADVERTENCIAS .....	54
MONTAJE DEL CABESTRANTE .....	55
INSTALACIÓN DEL CABLE METÁLICO .....	55
MANTENIMIENTO .....	56
FUNCIONAMIENTO .....	56
REQUISITOS DEL SISTEMA HIDRÁULICO .....	57
DISPOSICIÓN TÍPICA .....	57
GRÁFICOS DE FUNCIONAMIENTO .....	57
GUÍA DE SOLUCIÓN DE PROBLEMAS .....	58
MEDIDAS CUANDO TERMINA LA VIDA ÚTIL .....	59
INSTRUCCIONES DE VERIFICACIÓN .....	59-61
DIBUJOS ACOTADOS .....	62-63
LISTA DE PIEZAS Y DIBUJOS DE PIEZAS .....	64-67
DECLARACIÓN CE DE CONFORMIDAD .....	68

## ESPECIFICACIONES\*

Tracción del cable de la primera capa	42,2 kN (4.300,06 kg)				
Nivel sonoro	75 db				
Temperatura ambiente	De -28° C a 60° C				
Reducción de engranajes	5.1:1				
Peso (sin cable)	TAMBOR ESTÁNDAR		49,9 (110 lb)		
	TAMBOR "Y"		47,6 (105 lb)		
CAPA DE CABLE	1	2	3	4	
Tracción de cable por capa	kN	42,2	35,2	30,2	26,4
	lb	9,480	7,900	6,700	5,900

\*Capacidad del cable por capa

TAMBOR ESTÁNDAR	m	6	15	24	36
	pies	20	50	80	120
TAMBOR "Y"	m	4	9	16	24
	pies	15	30	55	80
*Velocidad del cable a 56,7 LPM (15 GPM)	MPM	9,7	11,2	13,0	14,8
	PPM	32	37	43	49
*Estas especificaciones se basan en un cable metálico recomendado de 11 mm (0,433 pulgadas) de clase 1960 y en un motor de 408 cc (24,9 pulgadas cúbicas)/Rev.					

## ADVERTENCIAS:

**EL USUARIO DEBERÁ GARANTIZAR QUE EL PERSONAL QUE OPERE EL EQUIPO HAYA RECIBIDO LA FORMACIÓN NECESARIA. EL OPERADOR DEBERÁ TRABAJAR SIEMPRE SIGUIENDO LAS INSTRUCCIONES DE FUNCIONAMIENTO.**

**PARA EL FUNCIONAMIENTO DEL FRENO SE REQUIERE UNA VÁLVULA DE CONTROL DIRECCIONAL (CON ENSANCHE EN EL CENTRO) DE LA BOBINA DEL MOTOR.**

**EL EMBRAGUE DEBE ESTAR TOTALMENTE ENGRANADO ANTES DE COMENZAR A MANEJAR EL CABESTRANTE.**

**NO DESENGRANAR EL EMBRAGUE BAJO CARGA.**

**NO ACERCARSE A LAS CARGAS ELEVADAS.**

**NO ACERCARSE AL CABLE METÁLICO CUANDO ESTÉ TIRANDO. NO INTENTAR GUIAR EL CABLE METÁLICO.**

**NO UTILIZAR EL CABESTRANTE PARA LEVANTAR, SUJETAR O TRANSPORTAR PERSONAS.**

**PARA SUJETAR LA CARGA SE NECESITA UN MÍNIMO DE 2 VUELTAS DE CABLE METÁLICO ALREDEDOR DEL CUERPO DEL TAMBOR.**

**EN APLICACIONES DE TRANSPORTE DE VEHÍCULOS, DESPUÉS DE SUBIR EL VEHÍCULO AL TRANSPORTADOR, ASEGURARSE DE FIJARLO A LA CAJA. NO MANTENER LA CARGA EN EL CABLE DEL CABESTRANTE CUANDO SE ESTÉ TRANSPORTANDO EL VEHÍCULO. NO EMPLEAR EL CABESTRANTE COMO AMARRA.**

**EVITAR LAS CONDICIONES EN LAS QUE SE PUEDA PRODUCIR LA SACUDIDA O EL DESPLAZAMIENTO DE LA CARGA. DEBERÁ EVITARSE EL BALANCEO EXCESIVO.**

## RESPONSABILIDAD DEL USUARIO PARA EL CUMPLIMIENTO CON LAS DISPOSICIONES CE

1. Emplear solamente una válvula de control (con ensanche en el centro) de la bobina del motor que sea conforme a los requisitos del sistema hidráulico.
2. Si se usa una válvula de control del cabestrante accionada de forma remota, consultar la sección de requisitos del sistema hidráulico para conocer los componentes de parada de emergencia que es necesario instalar.
3. Ajustar la presión de alivio del sistema conforme a lo descrito en la sección de requisitos del sistema hidráulico.
4. Montar el cabestrante según las instrucciones de montaje del cabestrante.
5. Instalar el cable metálico de 11 mm de clase 1960. Para el tambor estándar, la longitud máxima del cable debe ser de 36 m para un máximo de cuatro capas. Para el tambor Y, la longitud máxima del cable debe ser de 24 m para un máximo de cuatro capas. Conectar el cable al tambor según las instrucciones de instalación del cable. El gancho debe tener un cierre de seguridad y una resistencia mínima a la ruptura de 106 kN.

## MONTAJE DEL CABESTRANTE

### INSTRUCCIONES DE MONTAJE FUNDAMENTALES PARA ALINEAR LOS COMPONENTES DEL CABESTRANTE PLANETARIO:

Es de suma importancia que este cabestrante se monte firmemente de forma que las tres secciones principales (el extremo del motor, el tambor del cable y el extremo de la caja de engranajes) queden alineadas correctamente. Un desgarramiento excesivo del manguito y la dificultad a la hora de desenrollar libremente el cable son síntomas habituales de desalineación.

Cuando está instalado, si el cabestrante está montado en el centro, entonces deberá conectarse por lo menos una placa de anclaje con los pies de montaje de la parte inferior del cabestrante para mantener la alineación. Si el cabestrante está montado sobre pedestal, entonces al menos una placa de anclaje deberá permanecer montada en el punto central del cabestrante para mantener la alineación. Siempre es preferible emplear AMBAS placas de anclaje en la configuración final de instalación.

Se recomienda el uso del Equipo de Montaje de Escuadra, N/P 251006 (tambor Estándar) o N/P 251007 (tambor "Y"), para que sea más sencillo montar el cabestrante. El equipo de escuadra permite que se monte el cabestrante en aplicaciones de montaje de pie o central y cumple con el criterio de servir como superficie de montaje sólida y fuerte.

Cuando se monte el cabestrante con otro equipo que no sea el Equipo de Escuadra Ramsey, habrá que emplear los patrones de agujeros de montaje descritos en los dibujos acotados de las páginas 62-63. La superficie de montaje debe ser plana dentro de los 0,38 mm y lo suficiente rígida como para resistir la flexión. Si se emplea una placa de acero para el montaje sobre pedestal, deberá tener un grosor de 19 mm. Para esta aplicación de montaje se necesitarán ocho (8) tornillos de casquete 1/2-13NC X 1-1/2 pulg. de largo de clase 5 con arandelas de seguridad para montar el cabestrante. Los tornillos de casquete deben apretarse a un par de torsión de 115 Nm.

**NOTA:** Si se emplean las escuadras o la placa de acero para montar el cabestrante, habrá que conectar las placas de anclaje provistas con el cabestrante a las almohadillas de montaje, ya sean laterales o de pedestal.

## INSTALACIÓN DEL CABLE METÁLICO

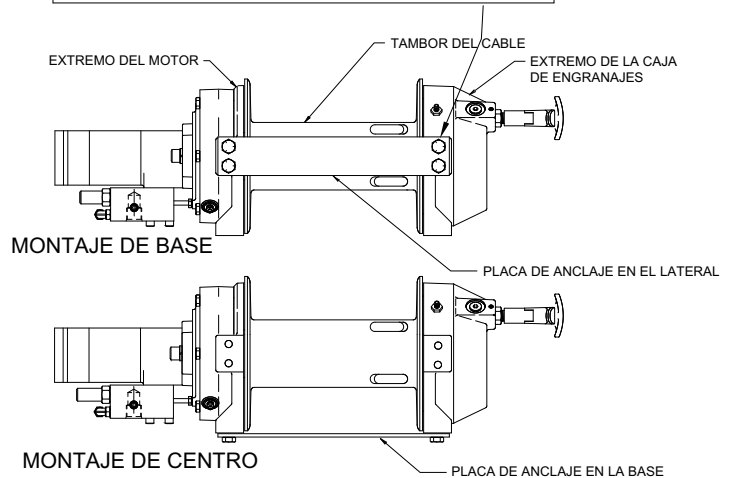
Una etiqueta "A" o "B" en el cojinete final del embrague indica la dirección del enrollado del cable. También está grabada la letra "A" o "B" en el cojinete final del extremo del embrague para indicar la dirección de rotación. Si la etiqueta está dañada o es ilegible, ponerse en contacto con Atención al Cliente para recibir instrucciones adicionales sobre cómo determinar la dirección correcta. **Para invertir la dirección de rotación, intercambie las posiciones del cartucho y enchufe como se muestra en la página 56.**

1. Desenrollar el cable extendiéndolo sobre el suelo para evitar el retorcimiento. Envolver firmemente el extremo del cable, opuesto al gancho, con cinta plástica o similar para evitar que se deshilache.
2. Deslizar el cable metálico a través del extremo estrecho del receptáculo junto al reborde del tambor. Enrollar el cable metálico alrededor del retenedor (elemento núm. 20), tirar de aquí y anclarlo de vuelta en el extremo ancho del receptáculo. Emplear un martillo blando para dirigir el lado posterior del cable metálico, asentando éste último y el anclaje firmemente en el receptáculo.
3. Hacer funcionar con cuidado el cabestrante en la dirección de subida con el carrete. Manteniendo la tensión en el extremo del cable, enrollar todo el cable en el tambor del cable, teniendo cuidado de formar capas bien envueltas.

Después de instalar el cable, comprobar el funcionamiento de enrollado constante. Desengranar el embrague y tirar del cable a una velocidad de paso lento. Si el cable se sale, aflojar la contratuerca (elemento núm. 22) y girar el tornillo fijador de nilón (elemento núm. 17) hacia la derecha para aumentar el arrastre en el tambor. Si la tracción del cable es excesiva, aflojar el tornillo fijador de nilón girándolo hacia la izquierda. Apretar la contratuerca cuando se consiga el ajuste adecuado.

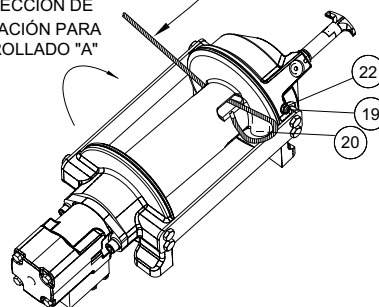
**PRECAUCIÓN:** SI SE APRIETA DEMASIADO LA CONTRATUERCA, EL TORNILLO FIJADOR DE NILÓN PODRÍA ROMPERSE.

PRECAUCIÓN: Si se sustituyen los pernos más largos (como mínimo Clase 5) para montar el cabestrante o para montar un rodillo guía en las almohadillas de montaje laterales, la longitud del perno debe ser tal que permita que entre una longitud de rosca de 14 mm dentro de los agujeros roscados de los lados de cada cojinete final. Consultar la Página 66. El empleo de pernos demasiado largos dañará al cabestrante e impedirá el enrollado constante del tambor. Apretar los tornillos en un par torsor de 75 Nm.



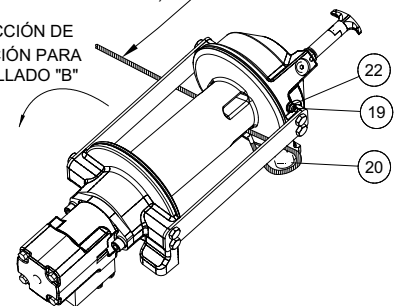
INSERTAR EL CABLE TAL COMO SE INDICA PARA ROTACIÓN "A" (APLICACIÓN DE ENROLLADO DEL CABLE).

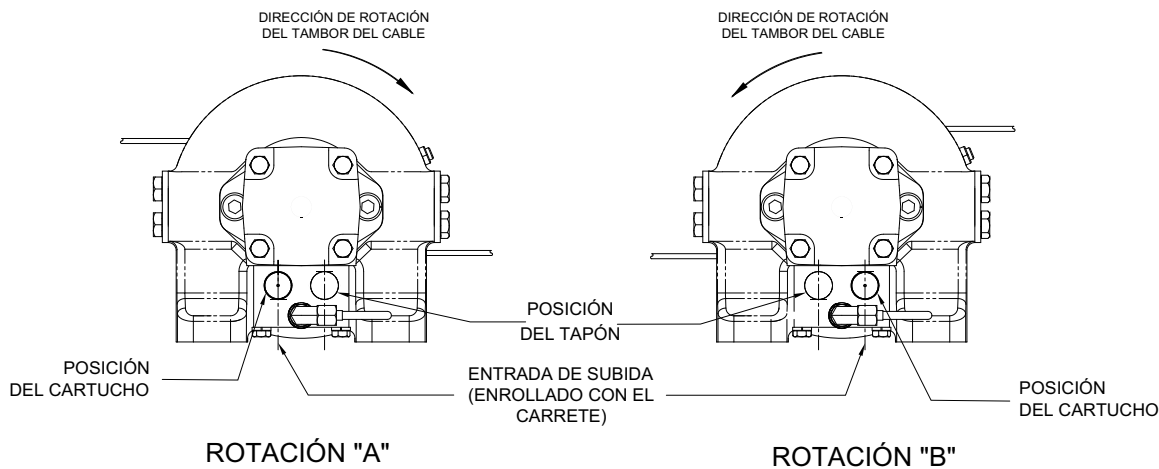
DIRECCIÓN DE ROTACIÓN PARA ENROLLADO "A"



INSERTAR EL CABLE TAL COMO SE INDICA PARA ROTACIÓN "B" (APLICACIÓN DE DESENROLLADO DEL CABLE).

DIRECCIÓN DE ROTACIÓN PARA ENROLLADO "B"





## MANTENIMIENTO

1. Inspeccionar el cable en busca de daños y lubricarlo con frecuencia. Si el cable se deshilacha con hilos rotos, cambiarlo inmediatamente.
2. Comprobar que el embrague esté totalmente engranado. Ver en las instrucciones de FUNCIONAMIENTO anteriores el embrague apropiado. **SOLAMENTE PARA EL EMBRAGUE MANUAL:** Desenganchar el embrague mensualmente, poner varias gotas de aceite en el eje del asa del mismo y METER y SACAR el asa del embrague varias veces para lubricar el conjunto del cambio.
3. Comprobar que el cable del tambor no se salga cuando se realice el enrollado libre. Si se sale, consultar la página 55.
4. Cambiar los manguitos del tambor y los sellos si empiezan a infiltrar grasa. Consultar la sección Instrucciones de verificación en las páginas 59-61. Añadir más lubricante Mobilith SHC 007 a los engranajes y a los cojinetes del tambor si fuese necesario.

## FUNCIONAMIENTO

La mejor manera de familiarizarse con el funcionamiento del cabestrante es hacer pruebas de funcionamiento antes de utilizarlo. Planee la prueba con antelación. Tenga en cuenta que el cabestrante se puede oír, al igual que se puede ver cómo funciona. Hay que acostumbrarse a reconocer los sonidos de una tracción ligera y continua, una tracción pesada, y el sonido producido por la sacudida o desplazamiento de la carga. Evitar las condiciones en las que se pueda producir la sacudida o el desplazamiento de la carga, ya que podría suponer una situación peligrosa.

El enrollado desigual del cable, mientras se está tirando de la carga, no es un problema, a menos que se produzca un apilamiento de cable en un extremo del tambor. Si esto sucede, invertir el cabestrante para aliviar la carga y alejar el punto de anclaje del centro del vehículo. Una vez acabado el trabajo, se puede desenrollar y enrollar para que el cable quede bien colocado.

Al tirar de una carga pesada, coloque una manta, chaqueta o lona sobre el cable unos dos metros detrás del gancho. En el caso de que se rompa el cable, disminuirá la velocidad del latigazo del cable y podrá evitar lesiones graves.

El embrague del cabestrante permite un desenrollado rápido del cable, desde el tambor del cable, para engancharse a una carga. La palanca del embrague o el cambio de aire accionan el embrague.

### **ADVERTENCIA: NO DESENGRANAR EL EMBRAGUE BAJO CARGA.**

**DESEMBRAGUE MANUAL** (Consultar el dibujo acotado en la página 62):

**PARA DESENGRANAR EL EMBRAGUE:** Hacer funcionar el cabestrante en marcha atrás (desenrollar) hasta que la carga se suelte del cable. Tirar del asa hacia afuera y girarla 90°. Con el asa en la posición de "DESENGRANADO", ahora el cable se puede desenrollar libremente del tambor.

**PARA ENGRANAR EL EMBRAGUE:** Tirar del asa hacia afuera, girarla 90° y soltarla. Hacer funcionar el cabestrante en marcha atrás hasta que el asa encaje totalmente en la posición de "ENGRANADO". **NO** intentar tirar de una carga a menos que el asa esté en la posición "ENGRANADA" totalmente. Si la luz indicadora del embrague manual está presente, la luz verde se enciende cuando el embrague está totalmente "ENGRANADO". **NO** intentar tirar de una carga a menos que la luz verde esté encendida. Para instalar la luz en el sistema eléctrico del vehículo, consultar el Esquema eléctrico en la página 63.

**DESEMBRAGUE DE CILINDRO DE AIRE** (Consultar el dibujo acotado en la página 63):

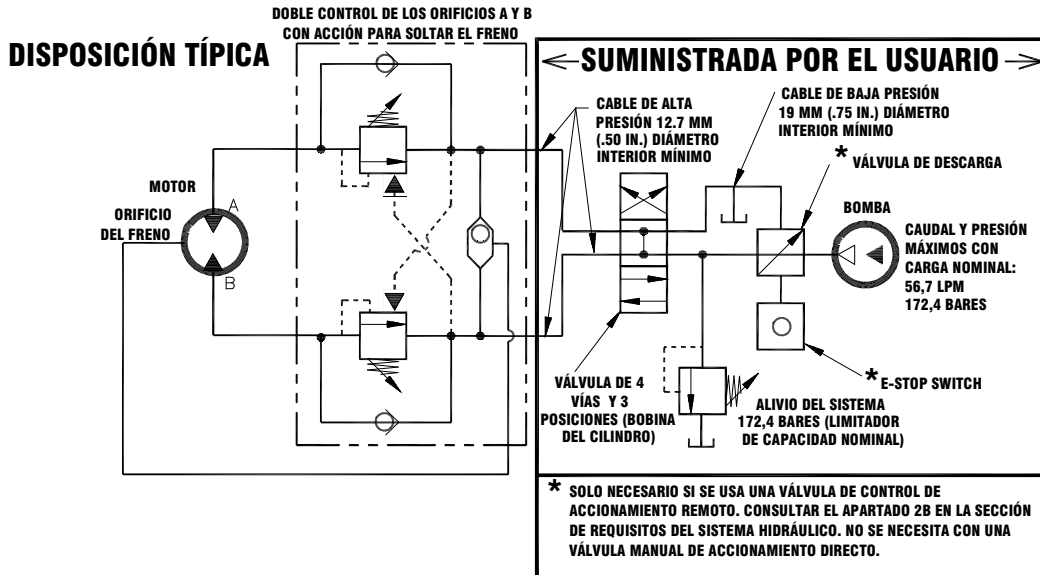
**PARA DESENGRANAR EL EMBRAGUE:** Hacer funcionar el cabestrante en marcha atrás (desenrollar) hasta que la carga se suelte del cable. Aplicar presión de aire al orificio 125-27 NPT: 5,5 bar (80 PSI) (mín.)- 10,3 bar (150 PSI) (máx.). **PRECAUCIÓN:** LA PRESIÓN NO DEBE SOBREPASAR LOS 10,3 BAR (150 PSI).

**PARA ENGRANAR EL EMBRAGUE:** Quitar la presión de aire del cilindro (un resorte de retorno engancha el pistón). Hacer funcionar el cabestrante en marcha atrás hasta que se encienda la luz indicadora de embrague engranado. Para instalar la luz en el sistema eléctrico del vehículo, consultar el Esquema eléctrico en la página 63.

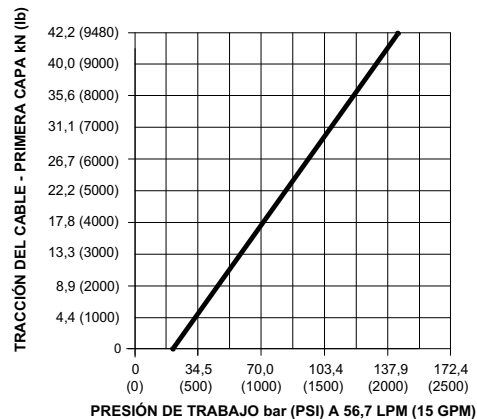
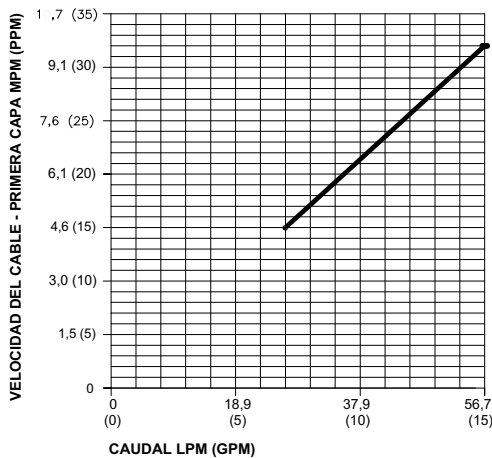
Consultar los gráficos de funcionamiento que figuran más abajo para ajustar el sistema hidráulico al funcionamiento del cabestrante. Los gráficos son los siguientes: (1) Tracción del cable de la primera capa, en kN (libras), en función de la presión de trabajo, en bares (PSI); (2) Velocidad del cable, primera capa, en MPM (PPM), en función del flujo en LPM.

### REQUISITOS DEL SISTEMA HIDRÁULICO

1. Válvula de control (con ensanche en el centro) de la bobina del motor
2. Parada de emergencia:
  - A. Si el cabestrante se controla con una válvula manual de accionamiento directo, dicha válvula servirá como parada de emergencia.
  - B. Si se emplea una válvula de control de accionamiento remoto, se necesita una válvula de descarga hidráulica accionada por solenoide, normalmente abierta al tanque, y un interruptor de parada de emergencia (para abrir la válvula de descarga). El interruptor de parada de emergencia debe estar por lo general cerrado y dispone de un accionador de botón reinicializable de color rojo con el fondo amarillo. El interruptor de parada de emergencia debe estar ubicado de modo que el operador tenga fácil acceso al mismo.
3. La válvula de alivio debe estar ajustada a 144,7 bares, valor que coincide con el limitador de capacidad nominal.
4. La medida del caudal debe ser como máximo de 56,7 LPM. No se deben sobrepasar los 75,7 LPM; de lo contrario, el motor y el cabestrante podrían dañarse.
5. El fluido hidráulico debe tener una viscosidad de 20 a 43 cSt (100 a 200 SUS). La temperatura de funcionamiento máxima es de 85° C. El nivel de limpieza según la norma ISO debe ser 17-14 o mejor.



### GRÁFICOS DE FUNCIONAMIENTO



BASADO EN UN MOTOR DE 408 cc (24,9 pulg.<sup>3</sup>)



## GUÍA DE SOLUCIÓN DE PROBLEMAS

ESTADO	CAUSA POSIBLE	CORRECCIÓN/ACCIÓN
EL TAMBOR NO GIRA SIN CARGA	El cabestrante no está montado en ángulo recto, haciendo que los cojinetes finales se traben	Comprobar el montaje. Consultar Montaje del cabestrante en la página 55.
	Engranajes dañados	Inspeccionar y cambiar los engranajes dañados
EL TAMBOR NO GIRA BAJO CARGA	El cabestrante no está montado en ángulo recto, haciendo que los cojinetes finales se traben	Comprobar el montaje. Consultar Montaje del cabestrante en la página 55.
	Carga mayor que la capacidad nominal del cabestrante	Consultar Especificaciones en la página 53 para ver la tracción nominal del cable.
	Presión baja del sistema hidráulico. Comprobar la presión	Consultar los gráficos de funcionamiento en Sistemas Hidráulicos, página 57.
EL CABESTRANTE FUNCIONA DEMASIADO LENTO	Medida del caudal baja del sistema hidráulico. Comprobar la medida del caudal	Consultar Requisitos del sistema y Disposición típica en la página 57.
	Motor desgastado	Cambiar el motor
EL TAMBOR NO REALIZA EL ENROLLADO CONSTANTE	El embrague no se desengrana. Comprobar Ajuste del desembrague manual, página 60.	Ver Funcionamiento en la página 56.
	El cabestrante no está montado en ángulo recto, haciendo que los cojinetes finales se traben	Comprobar el montaje. Consultar Montaje del cabestrante en la página 55.
	Los pernos de montaje lateral son demasiado largos, haciendo que la corona dentada se traben (elemento núm. 15, página 65).	Comprobar la longitud del perno. La rosca del perno NO DEBE engancharse en los agujeros roscados a los lados del soporte final a una profundidad mayor de entre 12,7 mm y 17,5 mm.
EL FRENO NO FRENA	Válvula de control direccional incorrecta (bobina del cilindro-centro cerrado)	Emplear solamente una válvula de control (con ensanche en el centro) de la bobina del motor.
LA CARGA SE DESPLAZA	Contrapresión excesiva 6,9 bar (100 PSI) máx.	Comprobar si existen restricciones en el sistema eléctrico. Consultar Requisitos del sistema y Disposición típica en la página 57.
EL CABLE SE SALE CUANDO SE DESENGRANA EL EMBRAGUE	Tornillo de arrastre mal ajustado	Ajustar el tornillo de llamada de nilón. Consultar Instalación del cable metálico en la página 55.
RUIDO EXCESIVO	Flujo del sistema hidráulico demasiado alto	Comprobar la medida del caudal. Consultar Disposición típica en la página 57.
	Tambor trabado, el cabestrante no está montado en ángulo recto. Comprobar el montaje	Consultar Montaje del cabestrante en la página 55.
EL TAMBOR CHIRRIÁ, EN LA DIRECCIÓN DE SUBIDA DE CARGA	Medida del caudal baja del sistema hidráulico	Comprobar la medida del caudal. Consultar Disposición típica en la página 57.
	Ajuste bajo de la presión de alivio del sistema hidráulico	Comprobar el ajuste de la válvula de desahogo.
FUGAS DE ACEITE DEL AGUJERO DE VENTILACIÓN BAJO EL COJINETE FINAL DEL MOTOR	Juntas tóricas del freno, anillos de respaldo o superficies obturadoras dañados	Desmontar el freno e inspeccionarlo. Ver las Instrucciones de verificación en la página 59.

## MEDIDAS CUANDO TERMINA LA VIDA ÚTIL

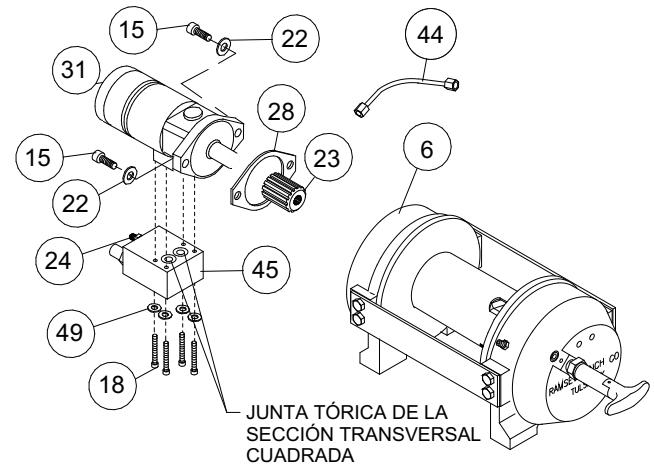
Cuando el cabestrante llegue al final de su vida útil, desecharlo según las normativas medioambientales locales.

## INSTRUCCIONES PARA VERIFICAR LOS CABESTRANTES DE LA SERIE RPH 42,2

**Anotar las configuraciones de montaje para poder montar las piezas correctamente durante el remontaje. Durante el remontaje cambiar todas las empaquetaduras, juntas tóricas y sellos.**

Desconectar el tubo (elemento núm. 44) de los codos (elemento núm. 24) en la parte inferior del freno (elemento núm. 6) y la válvula (elemento núm. 45). Retirar el motor (elemento núm. 31) de la caja del freno (elemento núm. 6) sacando los tornillos de casquete (elemento núm. 15). Golpear el motor ligeramente para desengancharlo. Durante el remontaje cambiar todas las empaquetaduras, juntas tóricas y obturadores con otros nuevos.

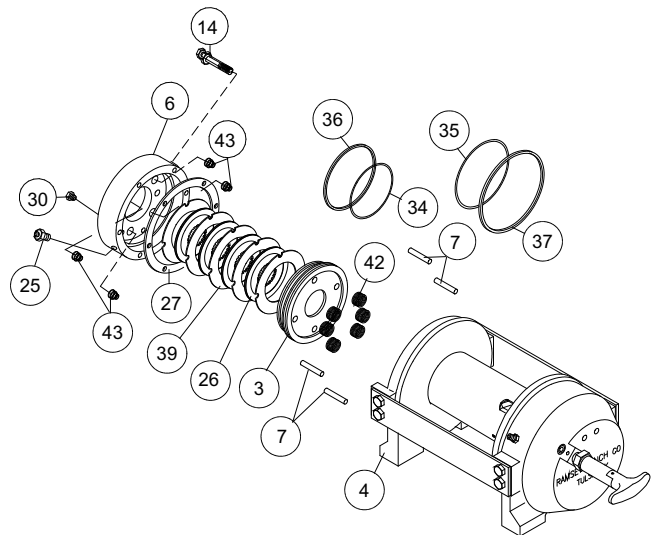
Retirar el acoplamiento (elemento núm. 23) de la caja del freno. Examinar el acoplamiento por si presenta señales de desgaste, cambiarlo si fuese necesario. Si fuese necesario, quitar la válvula (elemento núm. 45) del motor retirando los tornillos de casquete (elemento núm. 18) y las arandelas de seguridad (elemento núm. 49). Si se quita la válvula, asegurarse de que las dos juntas tóricas de la sección transversal cuadrada permanecen asentadas en los agujeros escariados de la válvula.



Retirar la caja del freno (elemento núm. 6) del cojinete final (elemento núm. 4) desatornillando los (6) tornillos de casquete (elemento núm. 14) de forma cruzada (2 vueltas cada uno) hasta retirarlos del todo. Retirar las piezas del freno de la caja del freno. Examinar los discos del freno (elemento núm. 26) por si presentan señales de desgaste y reemplazarlos si fuese necesario. Examinar las juntas tóricas (elementos núm. 34 y 35) y los anillos de respaldo (elementos núm. 36 y 37) por si presentan señales de desgaste. Retirar las juntas tóricas y los anillos de respaldo de las ranuras del pistón del freno (elemento núm. 3).

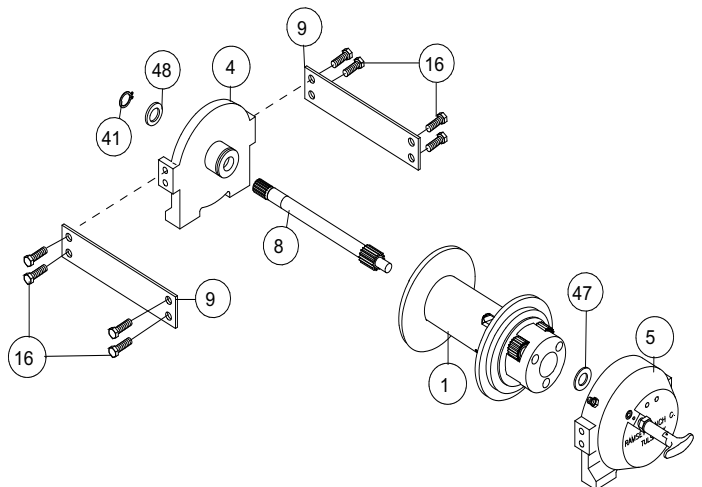
Retirar y examinar los muelles (elementos núm. 42 y 43) por si están dañados y, cambiarlos si fuese necesario.

Examinar la conexión (elemento núm. 30) para asegurarse de que las conexiones estén en condiciones de funcionamiento correcto y cambiarla si fuese necesario.

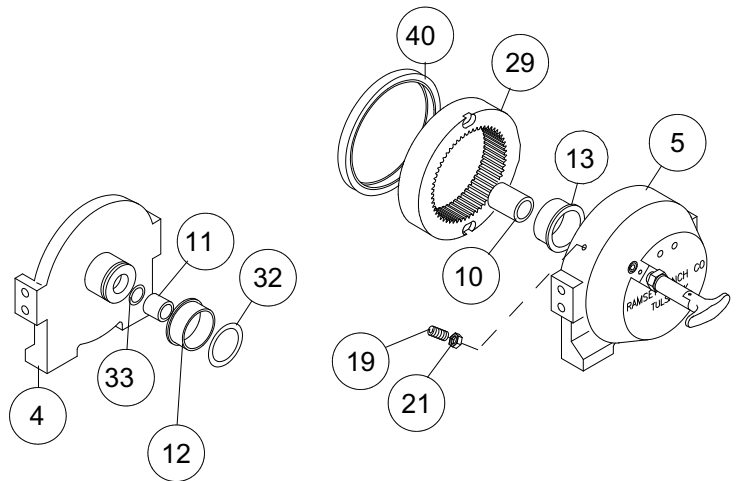


Retirar las placas de anclaje (elemento N° 9) de los cojinetes finales (elementos N° 4 y 5) desatornillando los tornillos de casquete (elemento N° 16), tal como se muestra. Retirar del eje el anillo sujetador (elemento N° 41) y las arandelas de empuje (elemento N° 48). Deslizar el cojinete final del motor (elemento N° 4) del tambor (elemento N° 1) y el tambor fuera del cojinete final de la caja de engranajes (elemento N° 5).

Retirar del cojinete final el eje de entrada (elemento N° 8) y la arandela de empuje (elemento N° 47). Inspeccionar los dientes del engranaje y el extremo ranurado del eje por si presentan señales de desgaste. Si están dañados, será necesario cambiar el eje.



Retirar la junta tórica (elemento núm. 32) y el manguito (elemento núm. 12) del cojinete final (elemento núm. 4) del exterior del motor; retirar la junta tórica (elemento núm. 33) y el manguito (elemento núm. 11) del cojinete final (elemento núm. 4) del interior del motor. Poner una junta tórica (elemento núm. 33) nueva y bien engrasada en la ranura dentro del cojinete final y empujar un manguito (elemento núm. 11) nuevo sobre el cojinete final. Presionar un nuevo manguito (elemento núm. 12) en el cojinete final y sumergir la junta tórica (elemento núm. 32) en aceite y asentarla sobre la ranura del cojinete final.



Retirar el sello (elemento núm. 40) del cojinete final (elemento núm. 5) de la caja de engranajes. Aflojar la tuerca (elemento núm. 21), retirar el tornillo fijador de nilón (elemento núm. 18) y sacar la rueda dentada (elemento núm. 29) del cojinete final de la caja de engranajes, si fuese necesario. Retirar el manguito (elemento núm. 13) y el cojinete final (elemento núm. 10) del cojinete final (elemento núm. 5) de la caja de engranajes. Empujar el nuevo manguito (elemento núm. 13) y el cojinete (elemento núm. 10) en su sitio en el cojinete final.

Instalar la corona dentada y luego el tornillo fijador de nilón y la tuerca. La corona dentada debe estar totalmente asentada en el cojinete final de la caja de engranajes (elemento núm. 5) y la ranura de la corona dentada NO DEBE estar alineada con el agujero del cambio del embrague. Instalar un obturador nuevo en el cojinete final de la caja de engranajes, con el lado afilado del obturador hacia fuera.

Aplicar grasa generosamente (MOBILITH SHC 007) en los dientes de la corona dentada (elemento núm. 29), dientes de los engranajes planetarios del tambor (elemento núm. 1) y, en el manguito del cojinete final de la caja de engranajes (elemento núm. 5). Aplicar una pequeña cantidad de grasa en la base del manguito del cojinete final del motor (elemento núm. 4). Aplicar grasa en los dientes del engranaje y en el extremo corto del eje (elemento núm. 8). Meter el extremo engrasado del eje a través de la arandela de empuje (elemento núm. 47) y del cojinete en el cojinete final (elemento núm. 5). Colocar el tambor sobre el eje y girar el tambor para enganchar los engranajes planetarios con el engranaje de salida del eje y la corona dentada en el cojinete final.

Montar el cojinete (elemento núm. 4) en el conjunto del tambor y usar placas de anclaje (elemento núm. 9) y tornillos de casquete (elemento núm. 16) para sujetar ambos cojinetes finales juntos. Apretar los tornillos a 75 Nm. Deslizar la arandela de empuje (elemento núm. 48) sobre el extremo del eje y contra el cojinete final (elemento núm. 4). Poner el anillo sujetador (elemento núm. 41) dentro de la ranura del extremo ranurado del eje.

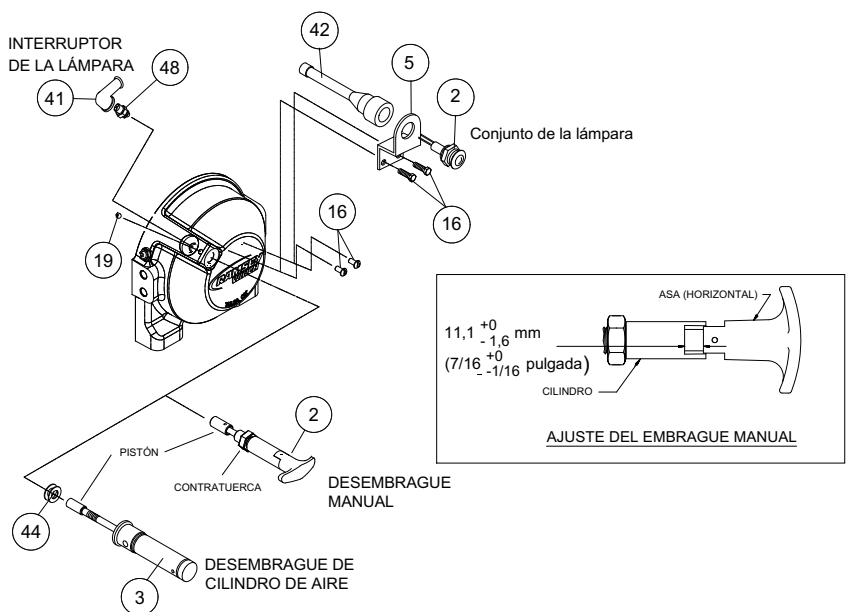
Si fuese necesario, retirar el conjunto del cambio correspondiente y cambiarlo (elementos núm. 2 ó 3) de la siguiente manera:

### CONJUNTO DEL DESEMBRAGUE MANUAL

Aflojar el tornillo de casquete (elemento núm. 19) y la contratuerca, luego desatornillar el conjunto del cambio manual (elemento núm. 2). Asegurarse de que la ranura de la corona dentada no esté alineada con el agujero del cambio del embrague. Si fuese necesario, girar el tambor para garantizar que el agujero y la ranura no estén alineados.

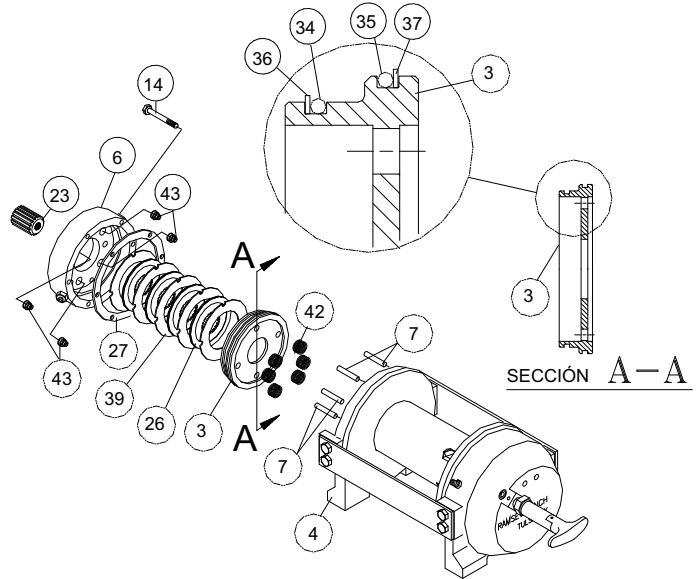
Volver a colocar el conjunto del cambio con el pistón, la contratuerca y el asa colocados en la caja de engranajes tal como se indica a continuación. Enroscar el conjunto (con el asa enganchada en la ranura del cilindro) en la caja de engranajes. Tirar del tambor hacia el cojinete final de la caja de engranajes para quitar el huelgo. Sujetar el tambor en su sitio y continuar enroscando el conjunto del cambio hasta que el espacio entre el extremo del asa y el cilindro sea de  $11,1 +0 - 1,6$  mm y el asa esté en la posición horizontal (ver a continuación). **Nota:** Este espacio variará con el huelgo longitudinal del tambor. Con el tambor empujado contra el extremo de la caja del motor, el espacio deberá ser de 10 mm.

Aprestar la contratuerca firmemente. Girar el tambor hasta que el asa se enganche totalmente en la posición engranada. Tirar del asa hacia afuera y girarla 90°. Verificar que el tambor pueda girar libremente (al menos una vuelta entera) con el cambio del embrague en la posición DESENGRANADA. Aprestar firmemente la contratuerca mientras se sujeta el asa. Aprestar el tornillo fijador (elemento núm. 19) firmemente. Volver a comprobar el funcionamiento del embrague tal como se indica en la página 56.



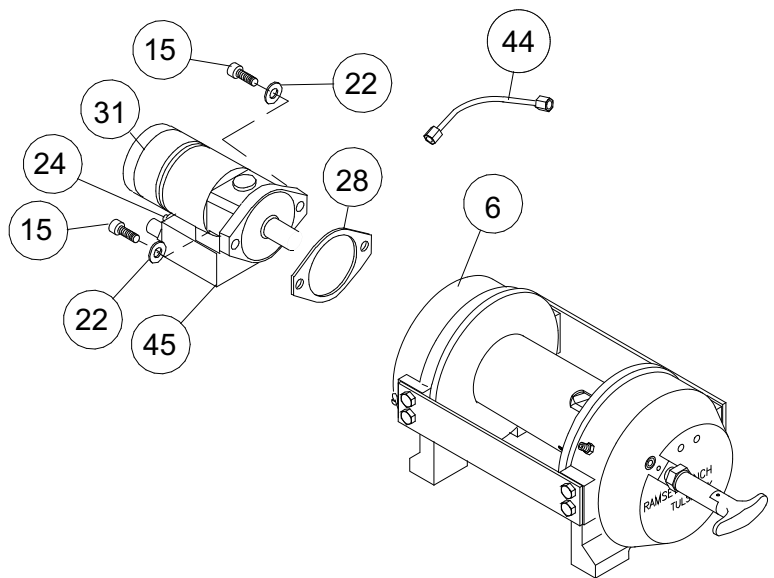
## CONJUNTO DEL CAMBIO DE CILINDRO DE AIRE

Aflojar el tornillo fijador (elemento núm. 19) para retirar el conjunto del cambio (elemento núm. 3). Para volver a instalarlo, colocar 1 ó 2 anillos de ajuste (elementos núm. 44) sobre el pistón y enroscar el conjunto del cambio en el extremo de la caja de engranajes. Añadir o quitar los anillos de ajuste para orientar los orificios para las conexiones neumáticas. Los orificios deben estar hacia abajo (por debajo de la horizontal). Apretar el tornillo fijador. Comprobar el funcionamiento del embrague tal como se describe en la página 56. Si hay que cambiar el conjunto de la lámpara (elemento núm. 2) o el interruptor de la lámpara (elemento núm. 48), consultar el esquema de la página 63 para ver las conexiones eléctricas y el desmontaje y remontaje tal como se indican. Fijar el cabezante en el extremo de la caja de engranajes con el cojinete final del motor (elemento núm. 4) hacia arriba. Insertar (6) muelles (elemento núm. 42) en los receptáculos del cojinete final del motor (elemento núm. 4), tal como se muestra, dejando vacíos los receptáculos superior e inferior. Instalar el acoplamiento (elemento núm. 23) sobre el extremo ranurado del eje (elemento núm. 8). Poner los (4) vástagos del freno (elemento núm. 7) en los (4) agujeros del cojinete final del motor. Instalar juntas tóricas bien lubricadas (elementos núms. 34 y 35) y anillos de respaldo (elementos núms. 36 y 37) en las ranuras del diámetro interior del pistón (elemento núm. 3). En ambos casos, colocar las juntas tóricas en las partes de las ranuras más cercanas al centro del pistón. Ver la SECCIÓN A-A a continuación.

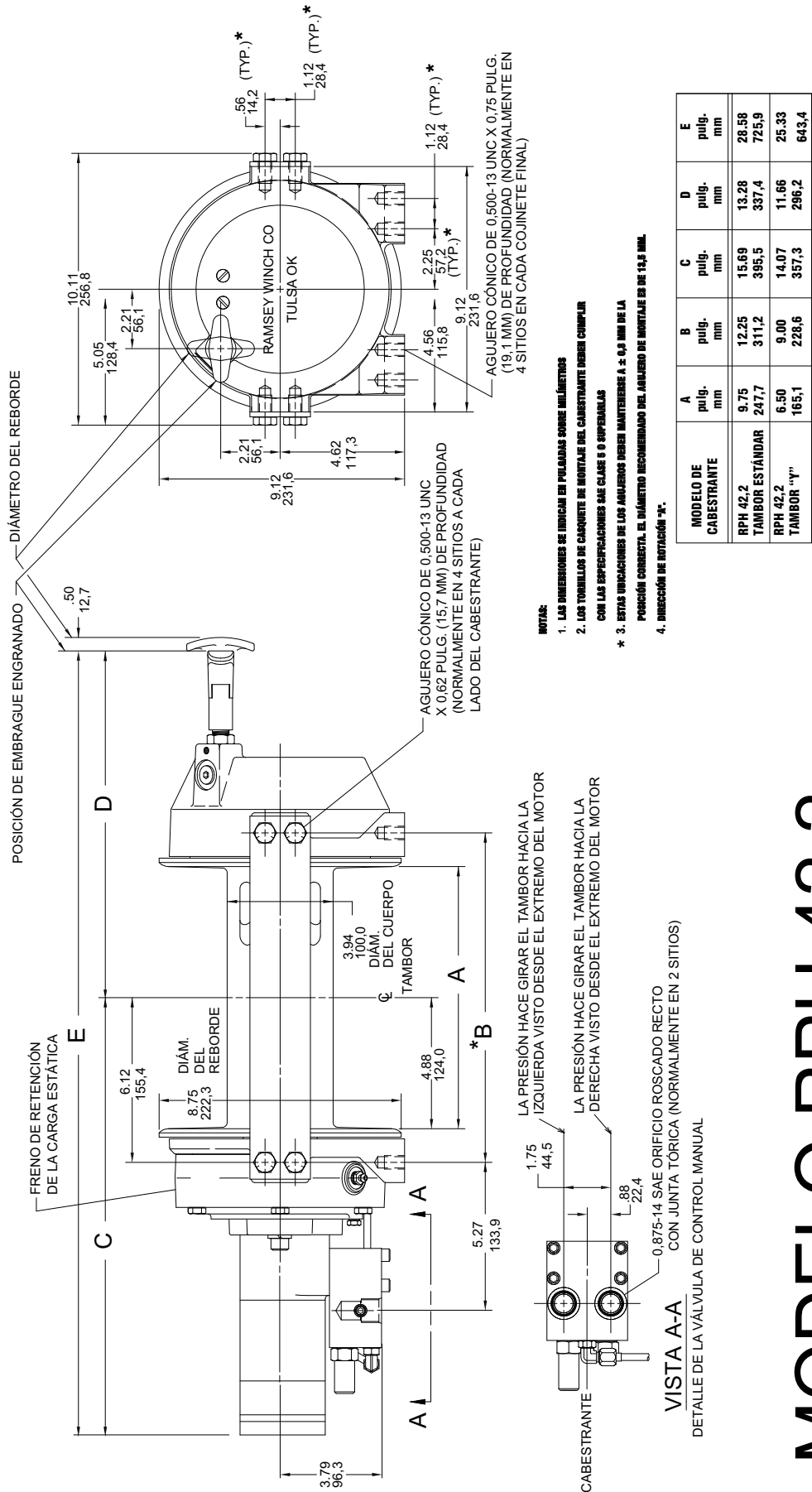


El pistón (elemento núm. 3), el disco del freno (elemento núm. 26) y las placas separadoras (elemento núm. 39) deben estar limpios y sin grasa ni aceite. Poner el pistón sobre los vástagos (elemento núm. 7) y por encima de los muelles (elemento núm. 42). Colocar las placas separadoras (elemento núm. 39) y el disco del freno alternándolos sobre el pistón, tal como se indica a continuación. Empujar el extremo más grande del diámetro de los (4) muelles (elemento núm. 43) dentro de los receptáculos de la caja del freno elemento núm. 6). Colocar la empaquetadura (elemento núm. 27) encima del cojinete final (elemento núm. 4). Poner la caja del freno sobre las piezas del freno con los orificios de la conexión hacia abajo hacia los pies de montaje. Alinear los agujeros de montaje y forzar la caja del freno hacia abajo encima del cojinete final (elemento núm. 4). Aplicar 271 Loc-tite en los 6 tornillos de casquete (elemento núm. 14) y apretarlos con los dedos hasta que estén al ras de la superficie de la caja del freno. Apretar los tornillos de casquete (2 vueltas cada uno) de forma cruzada hasta alcanzar un par torsor de 41 Nm por tornillo.

Poner la empaquetadura (elemento núm. 28) en su sitio sobre la superficie de montaje del motor (elemento núm. 31). Deslizar el eje del motor en el acoplamiento y acoplar el motor a la caja del freno (elemento núm. 6). Emplear (2) tornillos de casquete (elemento núm. 15) con arandelas de seguridad (elemento núm. 22) y apretar a 118 Nm cada uno. Conectar firmemente el tubo (elemento núm. 44) a los codos (elemento núm. 24) de la válvula (elemento núm. 45) y de la parte inferior de la caja del freno (elemento núm. 6).

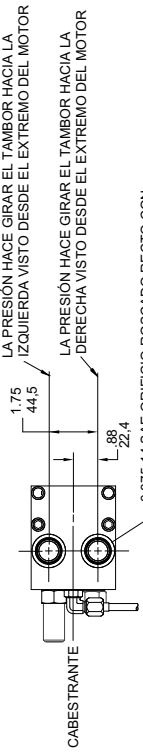
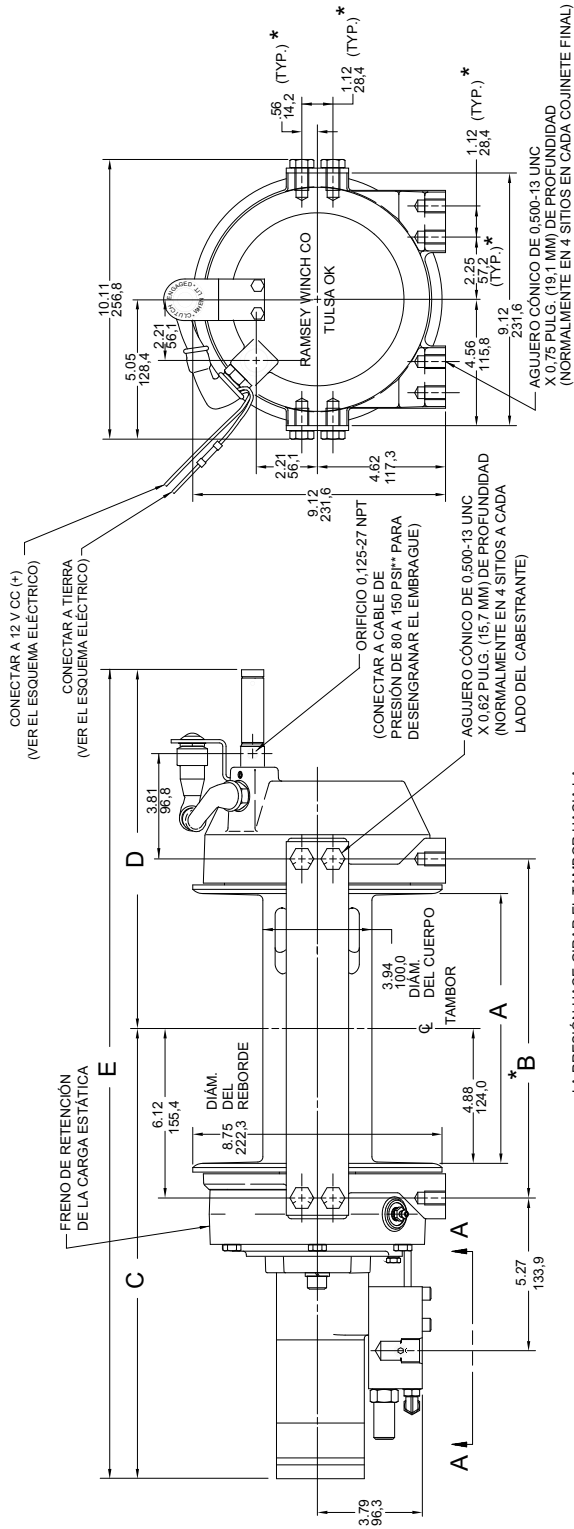


Aplicar una presión del sistema hidráulico para soltar el freno de por lo menos 37,9 bar (550 PSI) y verificar que el freno se suelte observando que gira el tambor del cabezante.

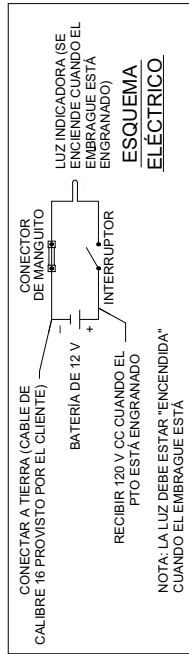


# MODELO RPH 42,2

## CON DESEMBRAGUE MANUAL



\*\*PRECAUCIÓN: LA PRESIÓN NO DEBE SOBREPASAR  
LOS 10.3 BAR (150 PSI)



**NOTAS:**

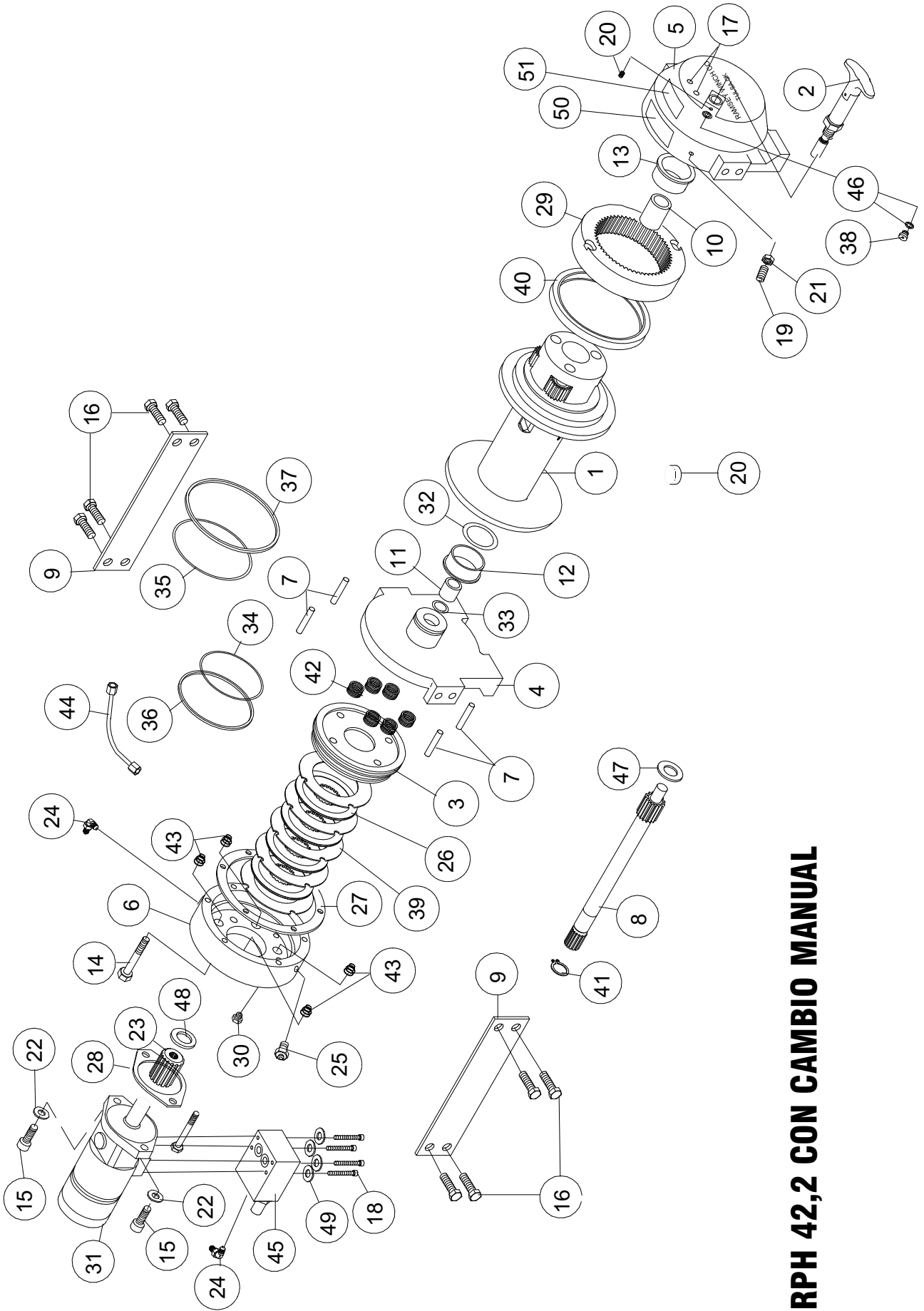
1. LAS DIMENSIONES SE INDICAN EN PULGADAS SOBRE MILÍMETROS
2. LOS TORNILLOS DE CASQUETE DE MONTAJE DEL CABESTRANTE DEBEN CUMPLIR CON LAS ESPECIFICACIONES SAE CLASE 5 O SUPERARLAS

- \* 3. ESTAS UBICACIONES DE LOS AGUJEROS DEBEN MANTENERSE A ± 0.8 MM DE LA POSICIÓN CORRECTA. EL DIÁMETRO RECOMENDADO DEL AGUJERO DE MONTAJE ES DE 13.5 MM.
- 4. DIRECCIÓN DE ROTACIÓN "A".

MODELO DE CABESTRANTE	A pulg. mm	B pulg. mm	C pulg. mm	D pulg. mm	E pulg. mm
RPH 42,2 ESTÁNDAR TAMBOR	9.75 247,7	12.25 311,2	15.69 395,5	13.28 337,4	28.58 725,9
RPH 42,2 TAMBOR "H"	6.50 165,1	9.00 228,6	14.07 357,3	11.66 296,2	25.33 643,4

# MODELO RPH 42,2

CON DESEMBRAGUE DE CILINDRO DE AIRE



**RPH 42,2 CON CAMBIO MANUAL**

## LISTA DE PIEZAS DEL RPH 42,2 CON CAMBIO MANUAL

ELEMENTO	CANTIDAD	NÚM. DE PIEZA	DESCRIPCIÓN
1	1	234229	CONJUNTO DEL TAMBOR ESTÁNDAR
	1	234230	CONJUNTO DEL TAMBOR "Y"
2	1	276052	CONJUNTO DEL DESEMBRAGUE MANUAL
3	1	306042	PISTÓN DEL FRENO
4	1	338300	COJINETE FINAL DEL MOTOR
5	1	338301	COJINETE FINAL DE LA CAJA DE ENGRANAJES
6	1	338302	CAJA - FRENO
7	4	346045	VÁSTAGO DEL FRENO
8	1	357504	EJE DE ENTRADA/ENGRANAJE PLANETARIO ESTÁNDAR
	1	357536	EJE DE ENTRADA/ENGRANAJE PLANETARIO "Y"
9	2	395427	PLACA DE ANCLAJE ESTÁNDAR
	2	395426	PLACA DE ANCLAJE "Y"
10	1	402120	COJINETE-CAJA DEL ENGRANAJE
11	1	402121	COJINETE - COJINETE FINAL DEL MOTOR
12	1	412084	MANGUITO DEL TAMBOR (EXTREMO DEL MOTOR)
13	1	412085	MANGUITO DEL TAMBOR (EXTREMO DE LA CAJA DEL ENGRANAJE)
14	6	414303	TORNILLO DE CASQUETE - 3/8-16NC X 2-1/2 pulg. DE LARGO CABEZA HEXAGONAL, CLASE 5, METALIZADO
15	2	414952	TORNILLO DE CASQUETE - 1/2-13NC X 1-1/2 DE LARGO CABEZA HUECA
16	8	414581	TORNILLO DE CASQUETE 1/2-13NC X 3/4 pulg. DE LARGO, CABEZA HEXAGONAL, CLASE 5, METALIZADO
17	2	414854	TORNILLO DE CASQUETE 1/4-20NC X 1/2 DE LARGO, CABEZA REDONDA, RANURA, METALIZADO
18	4	414159	TORNILLO DE CASQUETE - 5/16-18NC X 1-1/2 DE LARGO CABEZA HEXAGONAL, CLASE 5 METALIZADO DE ZINC
	4	414147	TORNILLO DE CASQUETE - 5/16-18NC X 3-1/2 DE LARGO CABEZA HEXAGONAL, CLASE 5 METALIZADO DE ZINC (ORIFICIOS LATERALES)
19	1	414926	TORNILLO FIJADOR - 3/8-16NC X 1 pulg. DE LARGO, CABEZA HUECA, NILÓN
20	1	315008	RETENEDOR DE CABLE
21	1	418036	CONTRATUERCA HEXAGONAL 3/8-16NC
22	2	418218	ARANDELA DE SEGURIDAD - 1/2 D.I. MED. SECT.
23	1	431015	ACOPAMIENTO DEL MOTOR
24	2	432018	CONEXIÓN ACODADA DE 7/16 pulg.
25			NO SE EMPLEA
26	4	438022	DISCO DEL FRENO
27	1	442220	EMPAQUETADURA DEL FRENO
28	1	442223	EMPAQUETADURA DEL MOTOR
29	1	444085	ANILLO DEL ENGRANAJE
30	1	456038	CONEXIÓN DEL AGUJERO DE VENTILACIÓN
31	1	458079	MOTOR HIDRÁULICO
32	1	462046	JUNTA TÓRICA (TAMBOR)
33	1	462056	JUNTA TÓRICA
34	1	462057	JUNTA TÓRICA
35	1	462058	JUNTA TÓRICA
36	1	462059	JUNTA TÓRICA DE RESPALDO
37	1	462060	JUNTA TÓRICA DE RESPALDO
38	1	472052	TAPÓN
39	5	474111	PLACA SEPARADORA
40	1	486080	OBTURADOR-CAJA DEL ENGRANAJE
41	1	490037	ANILLO SUJETADOR
42	6	494110	MUELLE DEL FRENO
43	4	494112	MUELLE
44	1	509143	CONJUNTO DE TUBO - ORIFICIOS HACIA ARRIBA
	1	509144	CONJUNTO DE TUBO - ORIFICIOS LATERALES
45	1	516051	VÁLVULA DE CONTROL DEL MOTOR (ROTACIÓN A)
	1	516052	VÁLVULA DE CONTROL DEL MOTOR (ROTACIÓN B)
	1	516053	VÁLVULA DE CONTROL DEL MOTOR (ROTACIÓN A/ORIFICIOS LATERALES)
46	1	518037	ARANDELA DE EMPUJE
47	1	518047	ARANDELA DE EMPUJE
48	1	518052	ARANDELA DE EMPUJE
49	4	418163	ARANDELA DE SEGURIDAD - 5/16 pulg. MED SECT, METALIZADO DE ZINC
50	1	434570	PLACA DE IDENTIFICACIÓN
51	1	434235	PLACA - ROTACIÓN A
	1	434236	PLACA - ROTACIÓN B





## LISTA DE PIEZAS DEL RPH 42,2 CON CAMBIO NEUMÁTICO

ELEMENTO	CANTIDAD	NÚM. DE PIEZA	DESCRIPCIÓN
1	1	234229	CONJUNTO DEL TAMBOR ESTÁNDAR
	1	234230	CONJUNTO DEL TAMBOR "Y"
2	1	236020	CONJUNTO DE LA LÁMPARA
3	1	276053	CONJUNTO DEL DESEMBRAGUE - CILINDRO DE AIRE
4	1	306042	PISTÓN DEL FRENO
5	1	312529	SOPORTE DE LA LUZ
6	1	338300	COJINETE FINAL DEL MOTOR
7	1	338301	COJINETE FINAL DE LA CAJA DE ENGRANAJES
8	1	338302	CAJA - FRENO
9	4	346045	VÁSTAGO DEL FRENO
10	1	357504	EJE DE ENTRADA/ENGRANAJE PLANETARIO ESTÁNDAR
	1	357536	EJE DE ENTRADA/ENGRANAJE PLANETARIO "Y"
11	2	395427	PLACA DE ANCLAJE ESTÁNDAR
	2	395426	PLACA DE ANCLAJE "Y"
12	1	402120	COJINETE-CAJA DEL ENGRANAJE
13	1	402121	COJINETE - COJINETE FINAL DEL MOTOR
14	1	412084	MANGUITO DEL TAMBOR (EXTREMO DEL MOTOR)
15	1	412085	MANGUITO DEL TAMBOR (EXTREMO DE LA CAJA DEL ENGRANAJE)
16	2	414036	TORNILLO DE CASQUETE 1/4-20NC X 1/2 DE LARGO
17	6	414303	TORNILLO DE CASQUETE 3/8-16NC X 2-1/2 DE LARGO, CABEZA HEXAGONAL, CLASE 5 METALIZADO
18	2	414952	TORNILLO DE CASQUETE - 1/2-13NC X 1-1/2 DE LARGO CABEZA HUECA
19	8	414581	TORNILLO DE CASQUETE 1/2-13NC X 3/4 pulg. DE LARGO, CABEZA HEXAGONAL, CLASE 5, METALIZADO
20	4	414159	TORNILLO DE CASQUETE 5/16-18NC X 1-1/2 DE LARGO, CABEZA HEXAGONAL, CLASE 4, METALIZADO DE ZINC
	4	414147	TORNILLO DE CASQUETE 5/16-18NC X 3-1/2 DE LARGO, CABEZA HEXAGONAL, CLASE 4, METALIZADO DE ZINC (ORIFICIOS LATERALES)
21	1	414926	TORNILLO FIJADOR - 3/8-16NC X 1 pulg. DE LARGO, CABEZA HUECA, NILÓN
22	1	315008	RETENEDOR DE CABLE
23	1	418036	CONTRATUERCA HEXAGONAL 3/8-16NC
24	2	418218	ARANDELA DE SEGURIDAD - 1/2 D.I. MED. SECT.
25	1	431015	ACOPLAMIENTO DEL MOTOR
26	2	432018	CONEXIÓN ACODADA DE 7/16 pulg.
27			NO SE EMPLEA
28	4	438022	DISCO DEL FRENO
29	1	442220	EMPAQUETADURA DEL FRENO
30	1	442223	EMPAQUETADURA DEL MOTOR
31	1	444085	ANILLO DEL ENGRANAJE
32	1	456038	CONEXIÓN DEL AGUJERO DE VENTILACIÓN
33	1	458079	MOTOR HIDRÁULICO
34	1	462046	JUNTA TÓRICA (TAMBOR)
35	1	462056	JUNTA TÓRICA
36	1	462057	JUNTA TÓRICA
37	1	462058	JUNTA TÓRICA
38	1	462059	JUNTA TÓRICA DE RESPALDO
39	1	462060	JUNTA TÓRICA DE RESPALDO
40	5	474111	PLACA SEPARADORA
41	1	482013	MANGUITO
42	1	482045	MANGUITO
43	1	486080	OBTURADOR-CAJA DEL ENGRANAJE
44	2	488007	ANILLO DE AJUSTE
45	1	490037	ANILLO SUJETADOR
46	6	494110	MUELLE DEL FRENO
47	4	494112	MUELLE
48	1	504021	INTERRUPTOR
49	1	509143	CONJUNTO DE TUBO (ORIFICIOS HACIA ARRIBA)
	1	509144	CONJUNTO DE TUBO (ORIFICIOS LATERALES)
50	1	516051	VÁLVULA DE CONTROL DEL MOTOR (ROTACIÓN A)
	1	516052	VÁLVULA DE CONTROL DEL MOTOR (ROTACIÓN B)
	1	516053	VÁLVULA DE CONTROL DEL MOTOR (ROTACIÓN A/ORIFICIOS LATERALES)
51	1	518047	ARANDELA DE EMPUJE
52	1	518052	ARANDELA DE EMPUJE
53	4	418163	ARANDELA DE SEGURIDAD - 5/16 pulg. MED SECT, METALIZADO DE ZINC
54	1	434570	PLACA DE IDENTIFICACIÓN
55	1	434235	PLACA - ROTACIÓN A
	1	434236	PLACA - ROTACIÓN B





Ramsey Winch Company

Post Office Box 581510

Tulsa, Oklahoma 74158-1510

Telephone: (#918) 438-2760 FAX: (#918) 438-6688