

RAMSEY WINCH



PART #120370

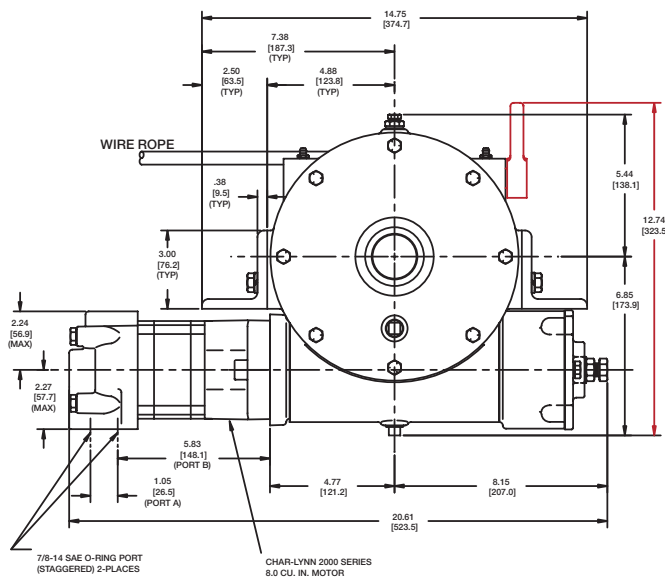
HY-600 Series

- Rated Line pull 12,000lbs
- Meets SAE-J706
- Recommended cable 1/2"
- Made in the USA

Specifications

Rated Line Pull	12,000 lbs..... (5,430 kgs)
Motor6.2 CU IN
Hydraulic Pressure @ rated load2,750 PSI
Max Flow (gpm)25
Gear Reduction40:1
Weight	HY-600..... 180 lbs. (82 kgs)

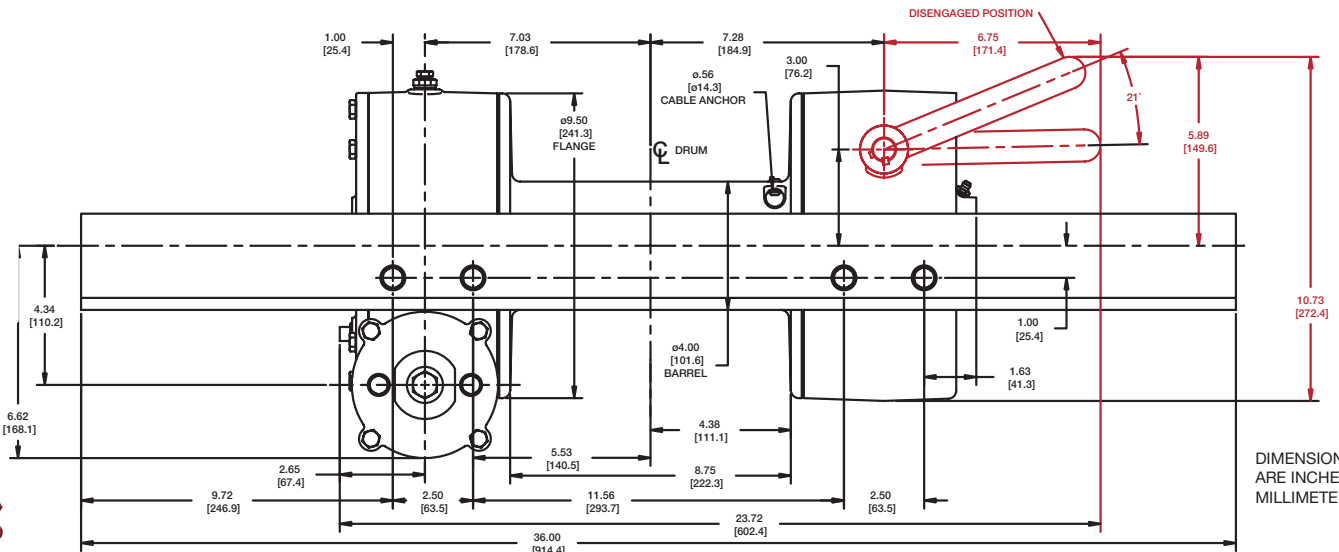
Overall Dimensions HY-600 Models only



LAYER OF CABLE		1	2	3	4	5 **
RATED LINE PULL PER LAYER HY-600	Lbs.	12,000	9,800	8,300	7,200	6,300
	Kgs.	5,430	4,430	3,750	2,850	2,850
*SHORT "Y" DRUM CABLE CAPACITY PER LAYER 8 3/4" DRUM HY-600	Ft.	15	40	65	95	135
	M.	4.0	12.0	19.0	28.0	39.0
LINE SPEED	Worm RPM	1	2	3	4	5
HY-600	FPM	890	25	31	37	42
	MPM	7.6	9.4	11.2	12.7	14.5

* These specifications are based on recommended 1/2 inch (13mm) EIPS cable.

** 5th layer does not conform to SAE J706



DIMENSIONS SHOWN
ARE INCHES OVER
MILLIMETERS

