

Applicable for:
HD-P and RPH Series
Planetary Gear Winches



Effective, reliable design

- Torsional springs for uniform pressure
- Reduces “bird-nesting” when free-wheeling cable
- Aids in level winding

Maintenance free

- Roller uses oil impregnated bronze bushings
 - Permanently lubricated
- All other components zinc plated
 - Excellent corrosion resistance

Roller design

- Rolls on cable
- Increases cable life over plate tensioners

Simple bolt-on accessory

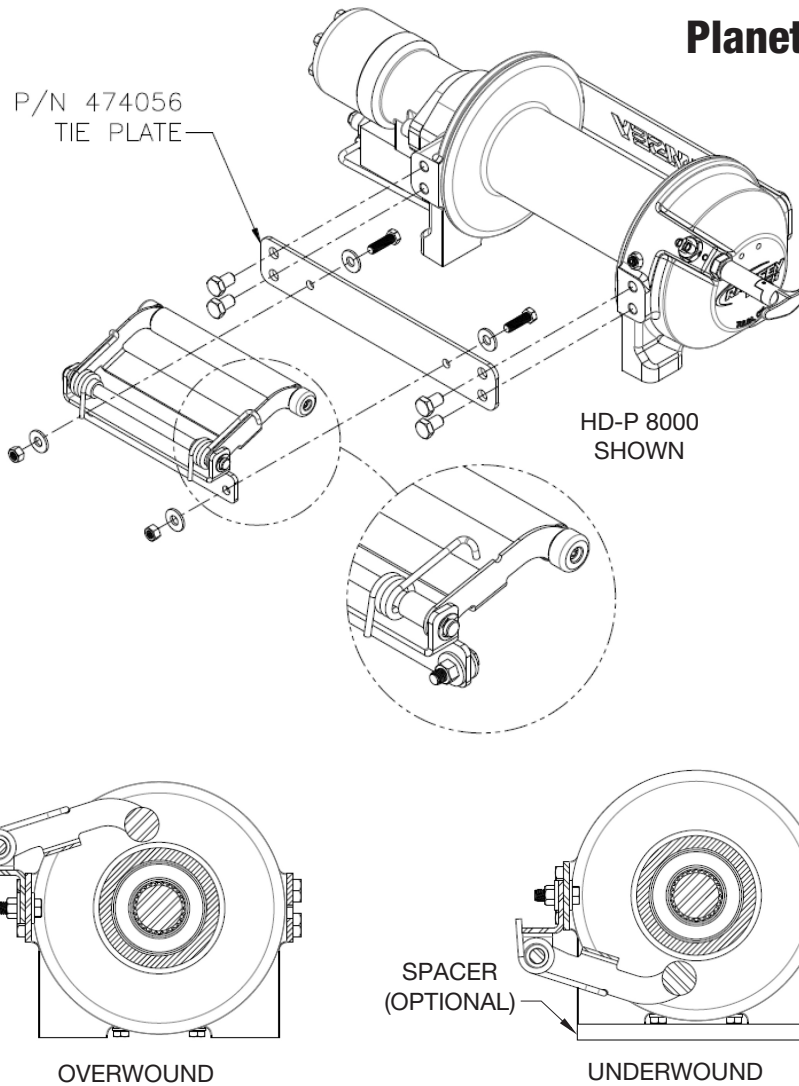
- Factory installed option
- Field installable
 - Simple, bolt-on kit
- Over wound or under wound
- Left or right drum rotation
- Standard drum

Planetary Gear Series - Roller Tensioner Kits

Ramsey Part Number	Description	Series (Hydraulic)		Cable Installation (see notes)	Installation Instructions (Document No.)	Optional Spacers (see notes)
256170	<i>Roller Tensioner Kit Standard Drum Length (Includes 474056 Tie Plate)</i>	HD-P 8000 HD-P 10000 RPH 8000	RPH 12000 HD-P 34,9 RPH 42,2	Overwound or Under Wound	913440	345069 (2) Required

Notes: (1) Roller tensioner is designed to be used with steel cable or synthetic rope.
 (2) Roller tensioner can be installed over wound or under wound and left or right drum rotation.
 (3) Optional spacers are required when under wound using a full drum of cable or rope.

**Applicable for:
HD-P and RPH Series
Planetary Gear Winches**



Planetary Gear Series - Roller Tensioner Kits				
Ramsey Part Number	Description	Drum Measurement	Shipping Weight lb (kg)	Shipping Dimensions (L x W x H) in (mm)
256170	Roller Tensioner Kit Standard Drum Length (Includes 474056 Tie Plate)	9.75 in (247.7 mm)	7 (3.18)	12.5 x 11 x 6.5 (317.5 x 279.4 x 165.1)
<p>Notes: (1) Roller tensioner is designed to be used with steel cable or synthetic rope. (2) Roller tensioner can be installed over wound or under wound and left or right drum rotation. (3) Optional spacers are required when under wound using a full drum of cable or rope.</p>				